

RP

General information

44

Patch fittings RP

46

Accessories

132

Safety-related information

157

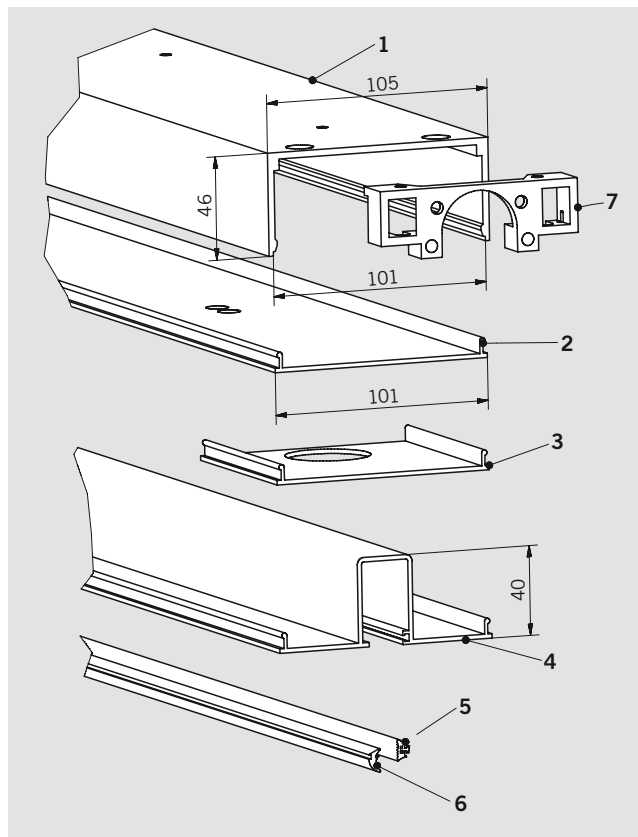


MARVELLOUSLY CONCEALED TRANSOM DOOR CLOSERS

The RP pivot door system works with a tubular transom profile in which the DORMA RTS transom closer is integrated and concealed. The system is fixed on the ceiling using brackets which are concealed after system installation. A top patch fitting (PT 22) attaches the all-glass door to the closer.

A bottom patch fitting (PT 10) connects the door to the floor pivot, which measures only a few centimetres. So glass thicknesses of 8 – 12 mm are feasible. The DORMA RTS transom closer not only returns the door to the zero position each time it is opened, it also has a special dampening system to

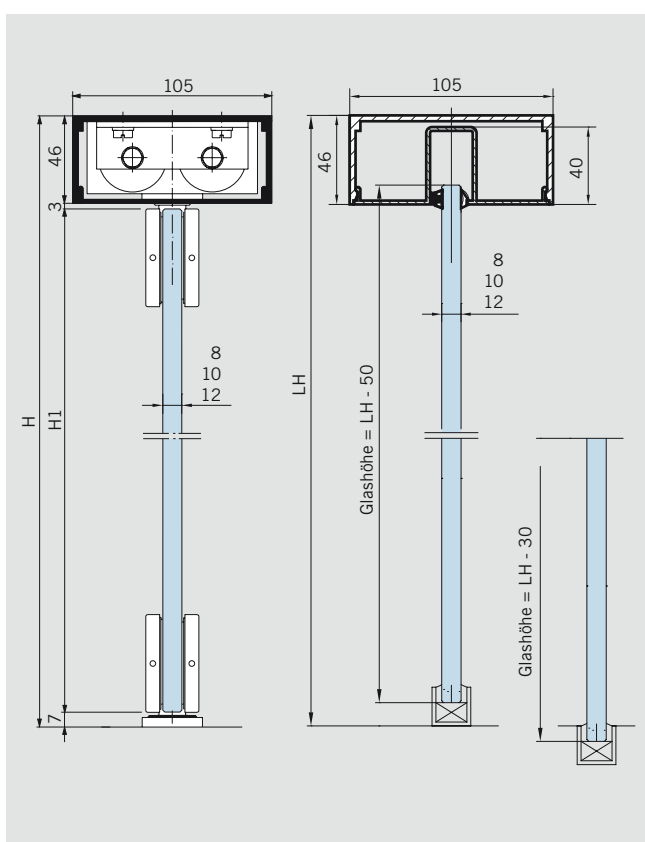
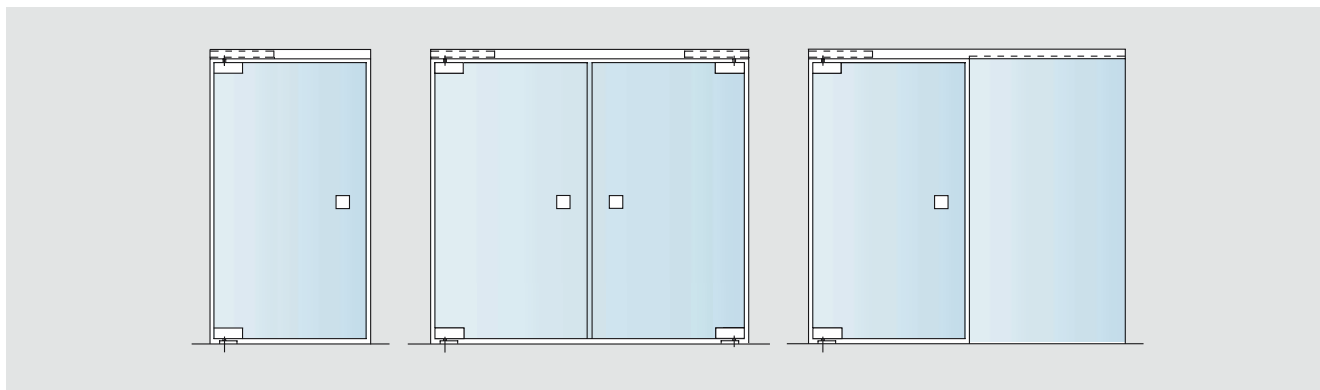
protect the door against unwanted impact caused by over-aggressive opening. In addition, the integral hold-open, which also comes as standard, enables the door to be held open at an angle of 90°.



Transom tube configuration:

- 1 Transom tube for fixing on ceiling, as lintel or similar, max. length 3000 mm
- 2 Cover profile for door, clip-on, max. length 3000 mm
- 3 Cover plate with cut-out for door closer spindle, length 90 mm
- 4 Cover profile for fixed sidelights, clip-on, with glazing groove
- 5/6 Contact profile / glass wedge profile, depending on combination for 8, 10 or 12 mm glass thicknesses of the sidelight
- 7 Fixing bracket for securing transom tube and closer

TYPE SELECTION



Options

- Single leaf double-action door with transom tube
- Pair of double-action doors with transom tube
- Double-action door with through-running transom tube and fixed sidelight

Materials and finishes

- Aluminium, silver anodised EV 1, C 0 (101)
- Aluminium, similar satin stainless steel anodised (113)
- Aluminium, white powder coated, similar to RAL 9016 (300)
- Bespoke colour anodising (199)
- Bespoke powder coating (399)

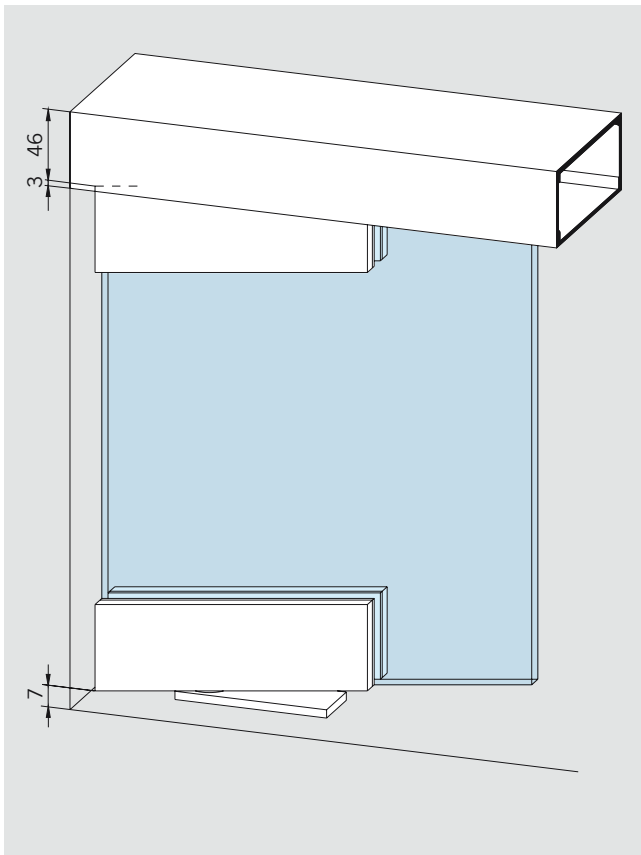
Door panel dimensions

- Glass thicknesses: 8 / 10 / 12 mm
- Max. door weight: 80 kg
- Max. door width: 1100 mm
- Door height (H1): H - 56 mm

Sidelight dimensions

- Glass thickness: 8 / 10 / 12 mm with two-part sealing profile
- Sidelight height: H - 30 mm + floor pocket, where required

DOUBLE ACTION SYSTEM FOR GLASS DOORS

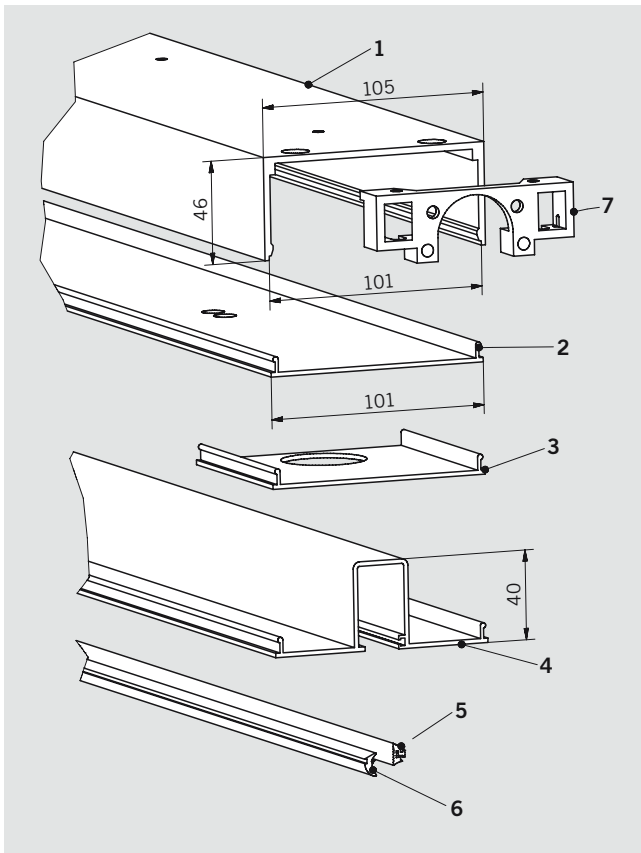


Double action system for glass doors

complete, consisting of
1 transom tube length
1000 mm;
1 cover profile length
1000 mm;
1 RTS 85 transom closer;
EN3, hold open 90°
1 fixing bracket;
1 bottom patch fitting PT 10;
1 top patch fitting PT 22;
1 floor pivot bearing

Art. No. 01.300

Weight in kg: 8.083



1 Transom tube
for fixing at ceiling,
as lintel, or similar,

stock length 6000 mm
in fixed lengths

Art. No. 01.301

Art. No. 01.311

Weight in kg/m: 1.620

2 Cover profile
for door area, clip-on

stock length 6000 mm
in fixed lengths

Art. No. 01.302

Art. No. 01.305

Weight in kg/m: 0.610

3 Cover plate
with cut-out for door closer
spindle

length 90 mm

Art. No. 01.303

Weight in kg: 0.056

4 Cover profile with glass groove
to clip on Art.No. 01.301/
311, to hold fixed sidelights
inclusive

5/6 Contact profile or
glass wedge profile in
2 resp. 4 mm thicknesses,
depending on combination
for 8, 10 or 12 mm glass
thickness of the sidelight

stock length 6000 mm
in fixed lengths

Art. No. 01.304

Art. No. 01.314

Weight in kg/m: 0.810

7 Fixing bracket
for securing transom
tube and closer

Art. No. 01.306

Weight in kg: 0.080