

## SPECIAL HINGES / ACCESSORIES

---

The DORMA stainless steel hinge for internal glass doors stands out for its optical features determined by function. Various special hinges also for door situations independent from rebated frames, as well as door rails and additional accessories complete the range of fittings for internal doors.

**Stainless steel hinge  
for internal glass doors**  
62

**Special hinges**  
62 – 64

**Door rails**  
65 – 67

**Door bolts/Accessories**  
67 – 68

**Mounting of door closers**  
69 – 70

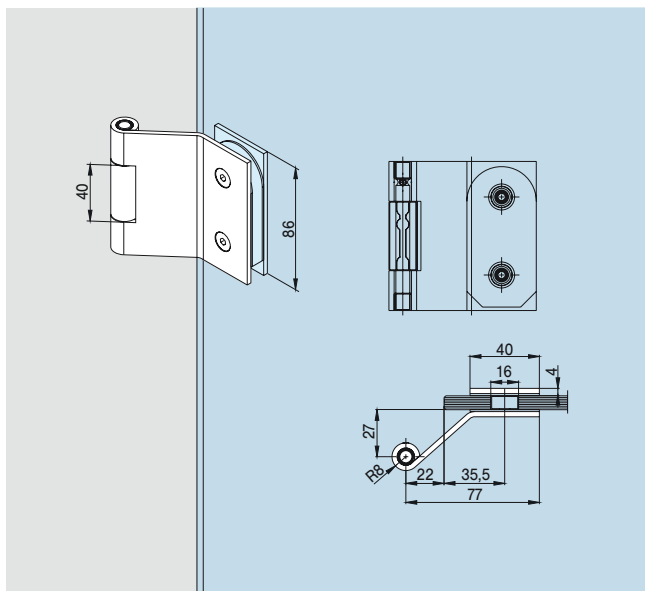
**Finishes and colours**  
71



# STAINLESS STEEL HINGE FOR INTERNAL GLASS DOORS

for 8 mm and 10 mm glass

For 8 mm glass thickness / 24 mm rebate depth,  
 10 mm glass thickness / 26 mm rebate depth resp.,  
 max. door width 1000 mm  
 Hinges meet highest corrosion resistance (EN 1670, class 4)  
 Versions with rounded angles also available on request



**Stainless steel hinge**

**for frame pivot,**  
 with stainless steel sleeve,  
 stainless steel pin,  
 door weight max. 55 kg

**Art. No. 11.500**

Weight in kg: 0.332

Not illustrated:

**Stainless steel hinge**  
**for frame pivot,**  
 for rebate depth 40 mm, with  
 stainless steel sleeve,  
 stainless steel pin, door weight  
 max. 45 kg

**Art. No. 11.502**

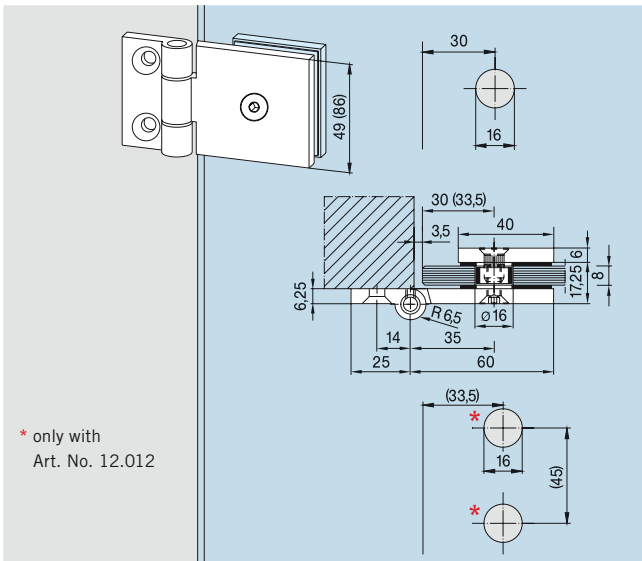
Weight in kg: 0.371

**Please note:**

**Applications / glass preparation like Junior Office and Junior Office Classic (see pages 38 – 59)**

**Frame pivots on pages 54 – 55.**

# HINGES FOR 8 MM GLASS THICKNESS



**Screw-on hinge without covers,**  
49 mm, stainless steel pin,  
plastic bushing,  
door weight max. 30 kg

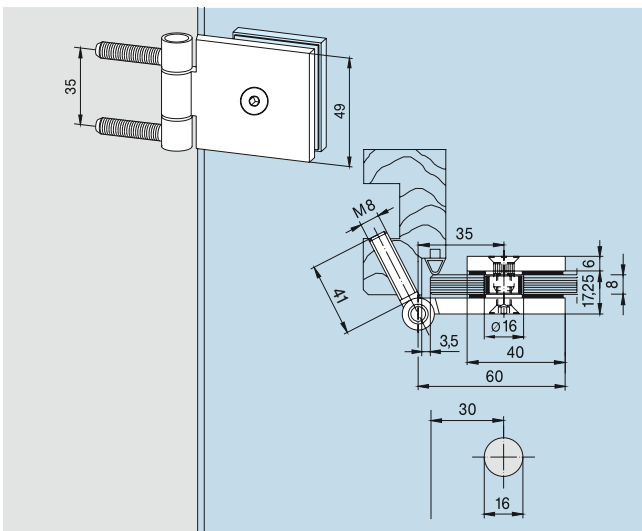
**Art. No. 12.010**  
Weight in kg: alumin. 0.130

Not illustrated:  
**Screw-on hinge with 3 covers,**  
49 mm, stainless steel pin,  
plastic bushing,  
door weight max. 30 kg

**Art. No. 12.011**  
Weight in kg: alumin. 0.152

Not illustrated:  
**Screw-on hinge with cover  
for clamping plate,**  
86 mm, stainless steel pin,  
plastic bushing,  
door weight max. 45 kg

**Art. No. 12.012**  
Weight in kg: alumin. 0.215

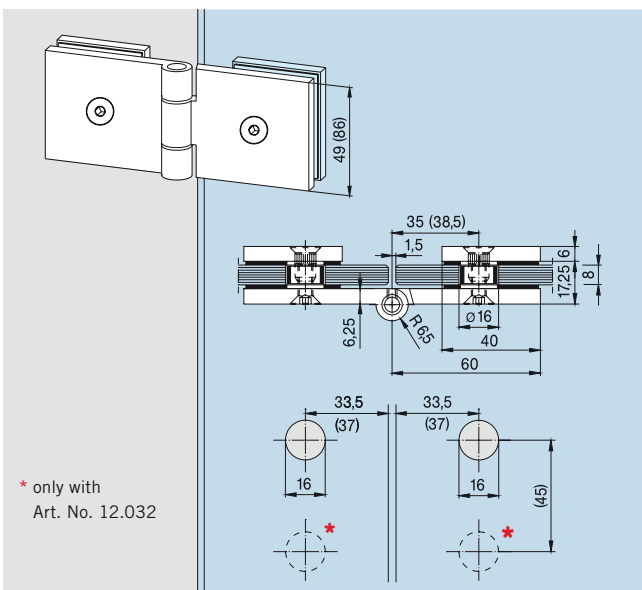


**Screw-in hinge without covers,**  
49 mm, stainless steel pin,  
plastic bushing,  
frame pivot zinc plated steel,  
door weight max. 30 kg

**Art. No. 12.020**  
Weight in kg: alumin. 0.147

Not illustrated:  
**Screw-in hinge with 2 covers,**  
49 mm, stainless steel pin,  
plastic bushing,  
frame pivot zinc plated steel,  
door weight max. 30 kg

**Art. No. 12.021**  
Weight in kg: alumin. 0.174



**Double hinge without covers,**  
49 mm, stainless steel pin,  
plastic bushing,  
door weight max. 30 kg

**Art. No. 12.030**  
Weight in kg: alumin. 0.208

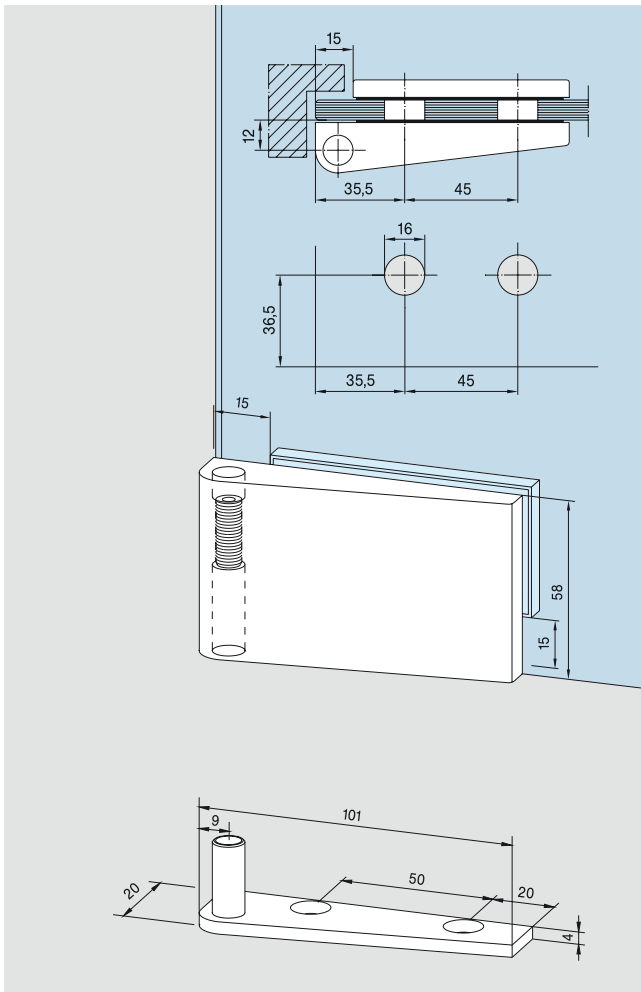
Not illustrated:  
**Double hinge with 4 covers,**  
49 mm, stainless steel pin,  
plastic bushing,  
door weight max. 30 kg

**Art. No. 12.031**  
Weight in kg: alumin. 0.243

Not illustrated:  
**Double hinge with covers  
for clamping plates,**  
86 mm, stainless steel pin,  
plastic bushing,  
door weight max. 45 kg

**Art. No. 12.032**  
Weight in kg: alumin. 0.344

# CORNER HINGES FOR 8 MM AND 10 MM GLASS THICKNESS



**Corner hinges, pairs,**  
with free glass edge (for rebate)  
on top resp. underneath and at  
side, height adjustable,  
extended colour options,  
door weight max. 35 kg

for 8 mm glass thickness  
**Art. No. 12.001**  
for 10 mm glass thickness  
**Art. No. 12.009**  
Weight in kg: alumin. 0.588  
brass 1.006

**Pair of floor and top pivot**  
for corner hinges, brass satin  
chromed, stainless steel pin

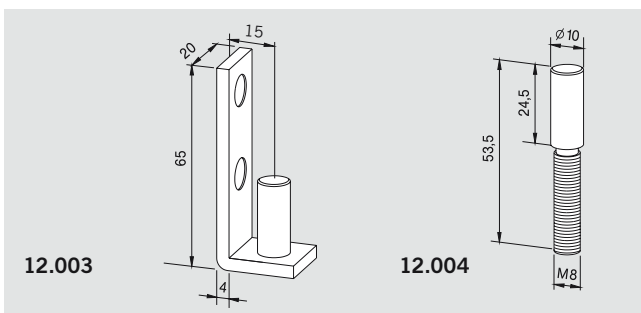
**Art. No. 12.016**  
Weight in kg: 0.182

**Piece of floor socket/top pivot**  
left bottom/top right  
**Art. No. 12.014**

Weight in kg: 0.091

**Piece of floor socket/top pivot**  
right bottom/top left

**Art. No. 12.015**  
Weight in kg: 0.091

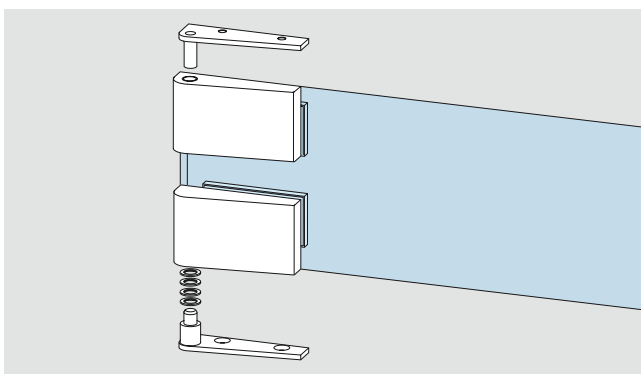


**Frame fixed pivot**  
for corner hinges,  
brass satin chromed,  
stainless steel pin

**Art. No. 12.003**  
Weight in kg: 0.132

**Screw-in pivot,**  
stainless steel

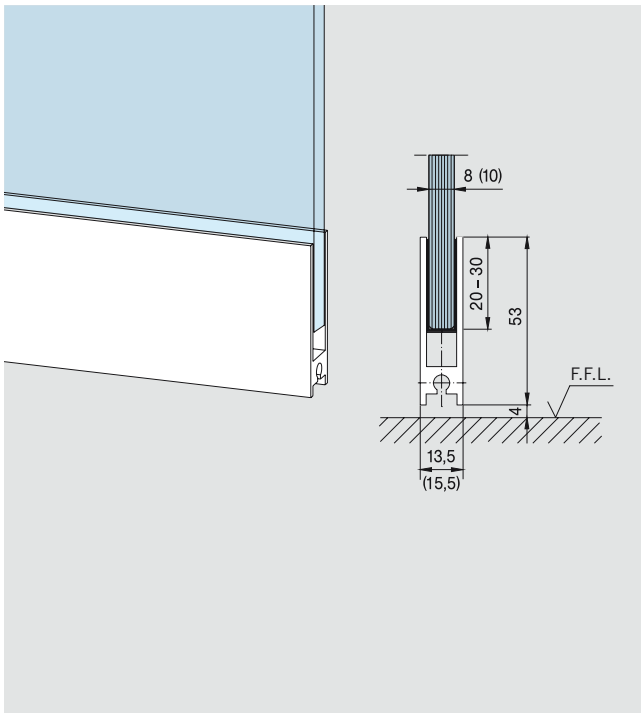
**Art. No. 12.004**  
Weight in kg: 0.048



**Set of corner hinges,**  
for 8 and 10 mm glass thickness  
with free glass edge (for rebate)  
on top resp. underneath and  
at side (glass preparation like  
Art. No. 12.001)

Consisting of  
1 floor pivot,  
1 bottom corner hinge (height  
adjustable),  
1 top pivot,  
1 top corner hinge,  
door weight max. 80 kg  
door width max. 1100 mm  
**Art. No. 12.040 L** (as illustr.)  
**Art. No. 12.041 R**  
Weight in kg: alumin. 0.825

## DOOR RAILS FOR 8 MM AND 10 MM GLASS THICKNESS



**Door rail, push on fit,**  
with pair of plastic end caps

norm length 834 mm

8 mm glass thickness  
**Art. No. 12.102**  
10 mm glass thickness  
**Art. No. 12.122**

norm length 959 mm

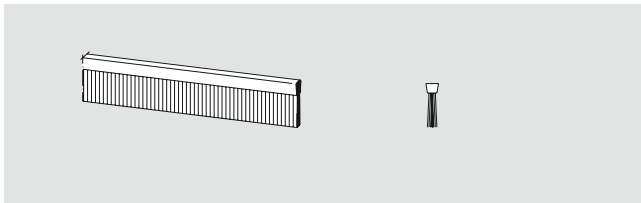
8 mm glass thickness  
**Art. No. 12.103**  
10 mm glass thickness  
**Art. No. 12.123**

stock length 1200 mm

8 mm glass thickness  
**Art. No. 12.104**  
10 mm glass thickness  
**Art. No. 12.124**

fixed length 1200 mm

8 mm glass thickness  
**Art. No. 12.100**  
10 mm glass thickness  
**Art. No. 12.120**  
Weight in kg/m: alumin. 0.833



**Brush seal**  
slides into rail profile,  
with plastic brush,  
5 mm projection,

stock length 2000 mm  
**Art. No. 12.110**  
fixed length 1200 mm  
**Art. No. 12.111**  
Weight in kg: 0.140

Not illustrated:

**Plastic end cap,**  
black, for 8 mm glass thickness

**Art. No. 12.106**  
Weight in kg: 0.001

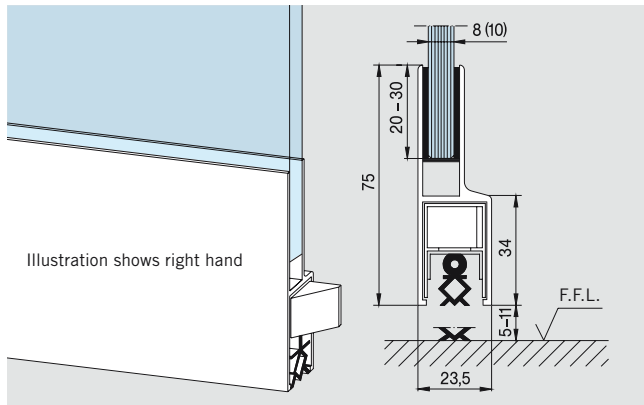
**Plastic end cap,**  
black, for 10 mm glass thickness

**Art. No. 12.109**

white, for 10 mm glass thickness

**Art. No. 12.108**  
Weight in kg: 0.001

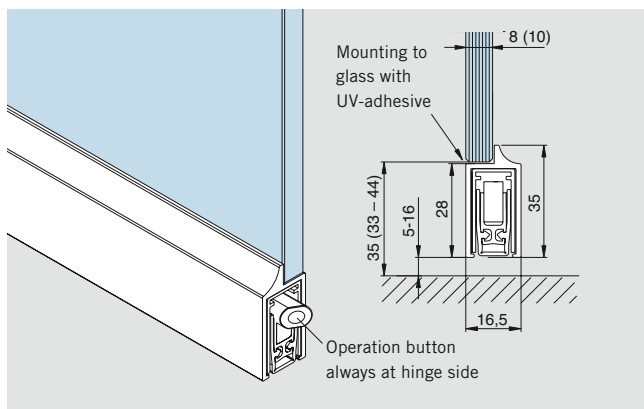
# DOOR RAILS WITH AUTOMATIC SEALS



## Door rail with automatic seal, push on fit

Lengths	Art. No.			
	8 mm glass thickness		10 mm glass thickness	
	Left hand	Right hand	Left hand	Right hand
834 mm	<b>12.202</b>	<b>12.203</b>	<b>12.212</b>	<b>12.213</b>
959 mm	<b>12.204</b>	<b>12.205</b>	<b>12.214</b>	<b>12.215</b>
Fixed length up to 1200 mm	<b>12.200</b>	<b>12.201</b>	<b>12.210</b>	<b>12.211</b>

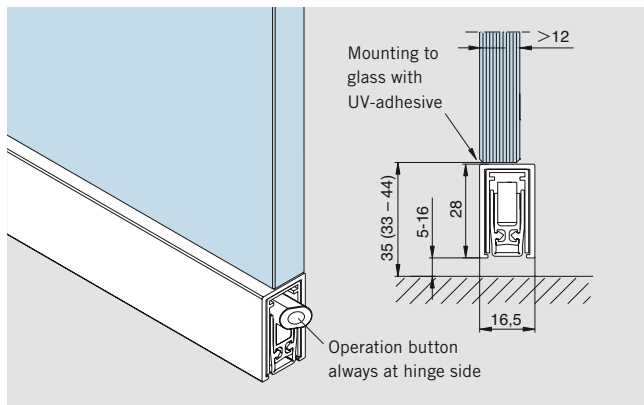
Weight in kg/m: alumin. 1.559



## Automatic Seal Planet KG D 8 / KG D 10

Lengths	Art. No.	
	8 mm glass thickness	10 mm glass thickness
	KG D 8	KG D 10
834 mm	<b>12.230</b>	<b>12.231</b>
959 mm	<b>12.235</b>	<b>12.236</b>
1084 mm	<b>12.245</b>	<b>12.246</b>
1209 mm	<b>12.240</b>	<b>12.241</b>

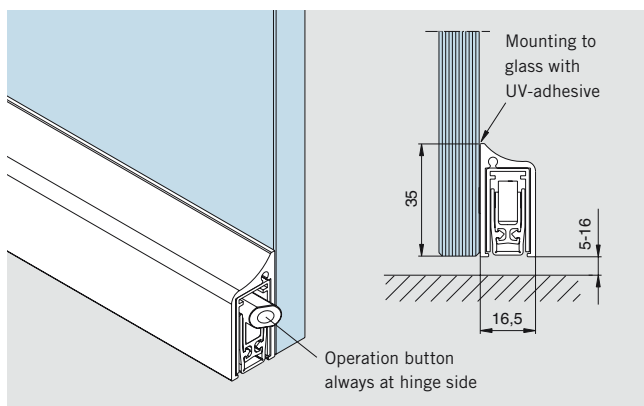
Weight in kg/m: alumin. 0.771



## Automatic Seal Planet KG-U

Lengths	Art. No.
	≥ 12 mm glass thickness
	KG-U
834 mm	<b>12.233</b>
959 mm	<b>12.238</b>
1084 mm	<b>12.248</b>
1209 mm	<b>12.243</b>

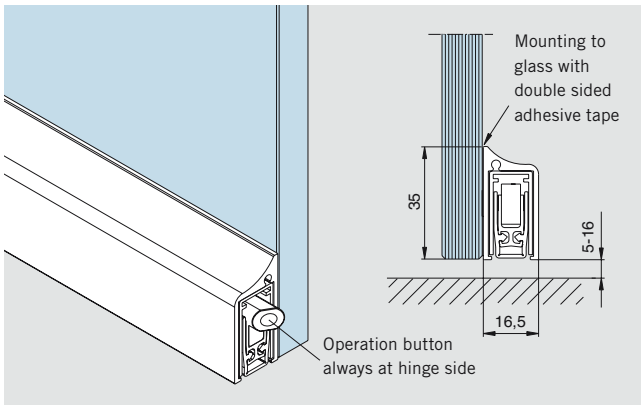
Weight in kg/m: alumin. 0.629



## Automatic Seal Planet KG-S

Lengths	Art. No.
	KG-S
834 mm	<b>12.232</b>
959 mm	<b>12.237</b>
1084 mm	<b>12.247</b>
1209 mm	<b>12.242</b>

Weight in kg/m: alumin. 0.789

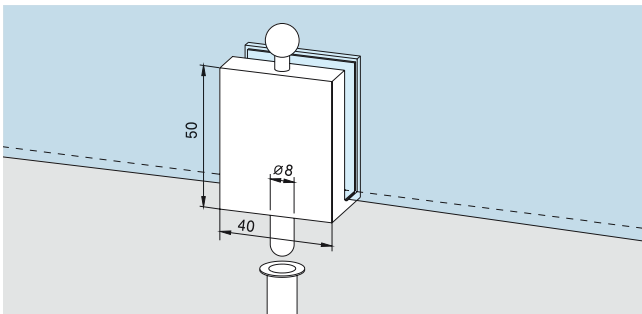


**Automatic Seal Planet**  
**Complete set with double sided adhesive tape**  
**KG-SM**

Lengths	Art. No.
	KG-SM
834 mm	<b>12.234</b>
959 mm	<b>12.239</b>
1084 mm	<b>12.249</b>

Weight in kg/m: alumin. 0.789

## DOOR BOLTS

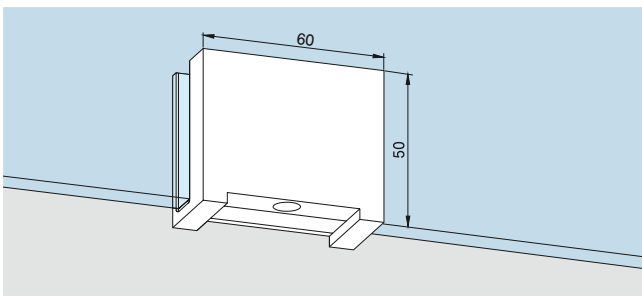


**Slide over door bolt,**  
 for 8 mm glass thickness,  
 with floor socket

**Art. No. 12.301**  
 Weight in kg: alumin. 0.121

**Slide over door bolt,**  
 for 10 mm glass thickness,  
 with floor socket

**Art. No. 12.302**  
 Weight in kg: alumin. 0.113



**Slide over strike box,**  
 for 8 mm glass thickness,  
 to slide over door bolt  
 Art. No. 12.301

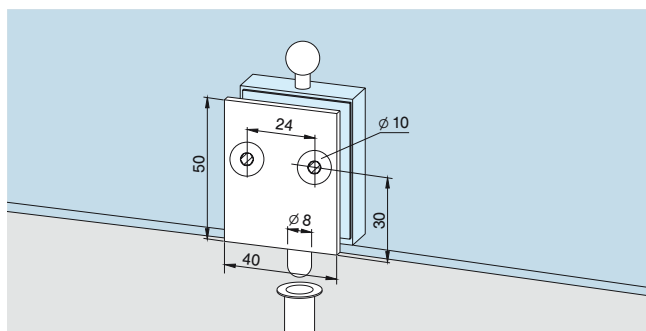
**Art. No. 12.314**  
 Weight in kg: alumin. 0.130

**Slide over strike box,**  
 for 10 mm glass thickness,  
 to slide over door bolt  
 Art. No. 12.302

**Art. No. 12.317**  
 Weight in kg: alumin. 0.130



## DOOR BOLTS



**Door bolt,**  
on glass preparation,

for 8 mm glass thickness

**Art. No. 12.312**

for 10 mm glass thickness

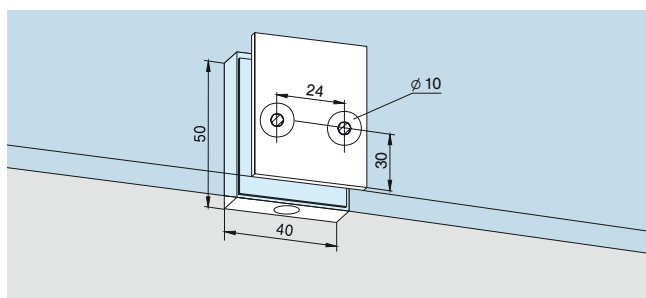
**Art. No. 12.315**

Weight in kg: alumin. 0.121

**Door belt,**  
on glass preparation, with  
free glass edge for  
8 + 10 mm glass thickness

**Art. No. 12.318**

Weight in kg: alumin. 0.099



**Strike box,**  
on glass preparation,  
for 8 mm glass thickness,  
to door bolt Art. No. 12.312

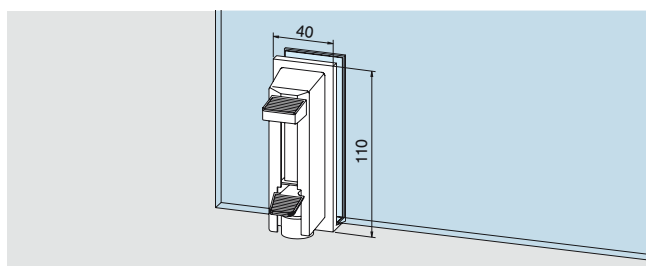
**Art. No. 12.313**

Weight in kg: alumin. 0.087

**Strike box,**  
on glass preparation,  
for 10 mm glass thickness,  
to door bolt Art. No. 12.315

**Art. No. 12.316**

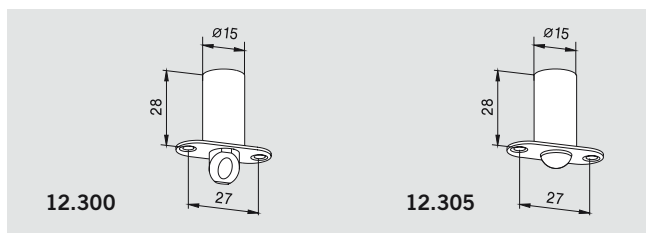
Weight in kg: alumin. 0.087



**Slide over telescopic door bolt,**  
for 8, 10 and 12 mm glass  
thickness, similar anodised  
lacquer

**Art. No. 12.320**

Weight in kg: alumin. 0.365



**Door catch,**  
plastic

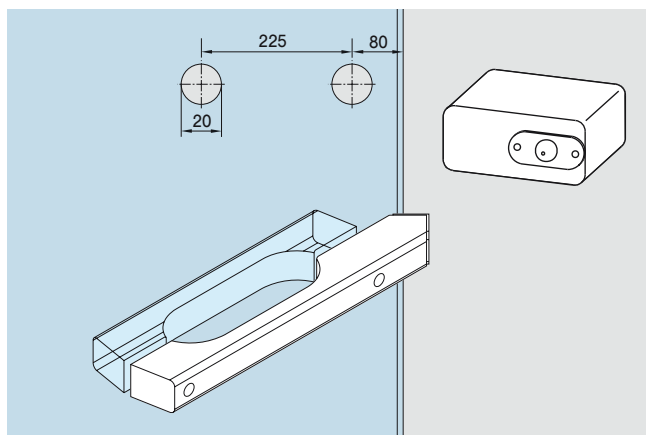
**Art. No. 12.300**

Weight in kg: 0.007

**Door catch,**  
plastic with round bolt

**Art. No. 12.305**

Weight in kg: 0.007



**Wooden snapper block**  
for sauna

**Art. No. 13.006**

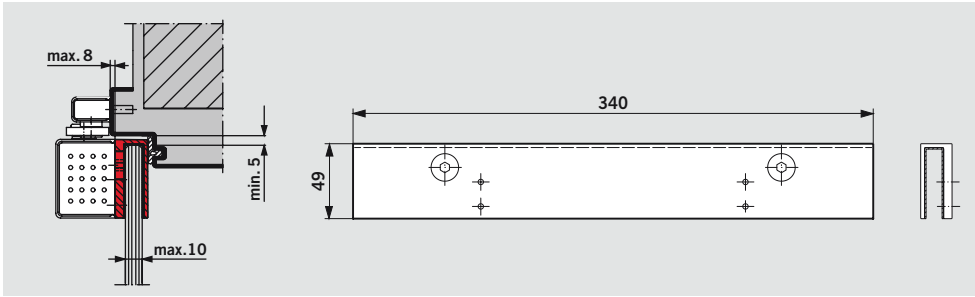
Weight in kg: 0.045

**Wooden handle**  
for sauna

**Art. No. 13.005**

Weight in kg: 0.267

## SADDLE PLATE FOR TS 97

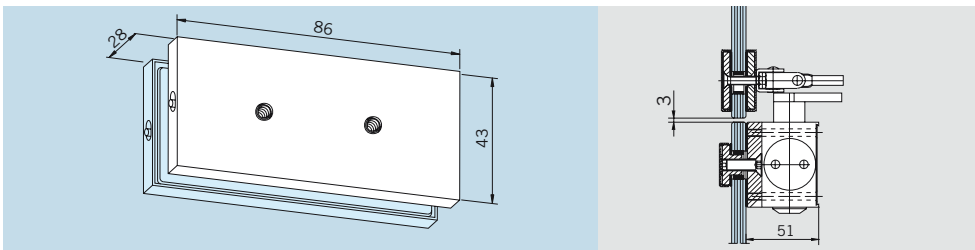


### Saddle plate for TS 97

No glass recess machining or drilling required.

The DORMA TS 97 with this special glass fixing bracket should be used with ARCOS Studio and ARCOS Office/Junior Office hinges.

## ACCESSORIES FOR DOOR CLOSER TS 73 V

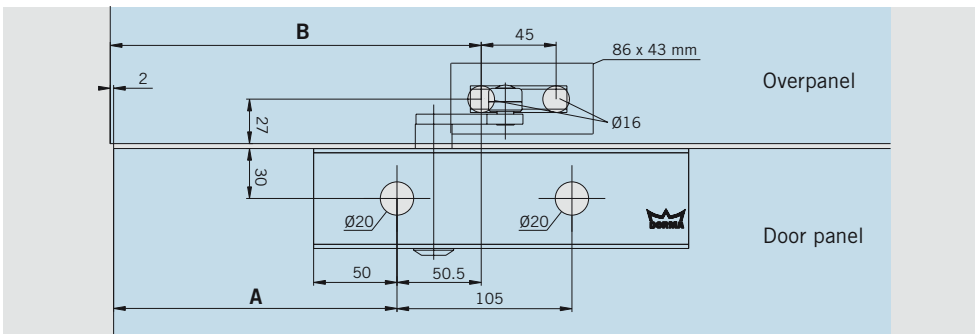


### Fixing plate

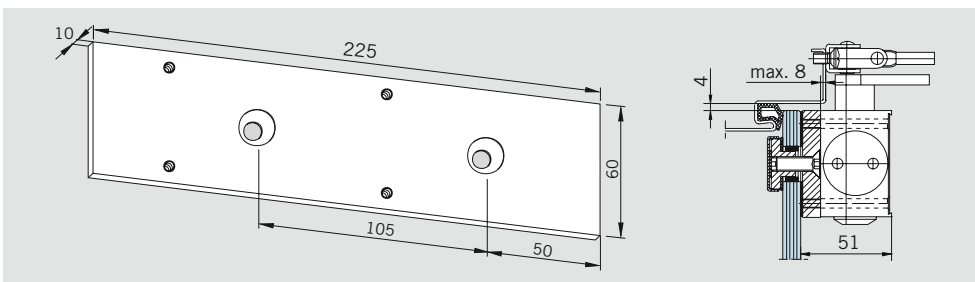
for DORMA TS 73 V, closer arm for overpanel

**Art. No. 12.330**

Weight in kg: alumin. 0.132



Pivot point fitting	A	B
EA (AT)	195	248
Universal/EP	245	298
Studio/Junior	170	223
ARCOS Universal	262	315

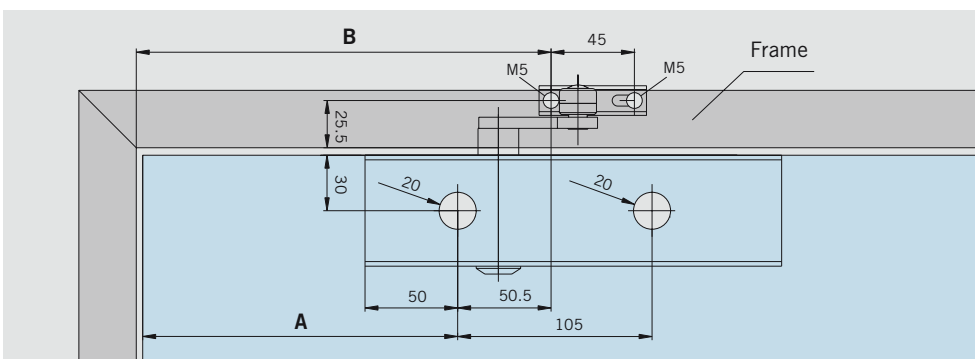


### Fixing plate

225 mm, for DORMA TS 73 V

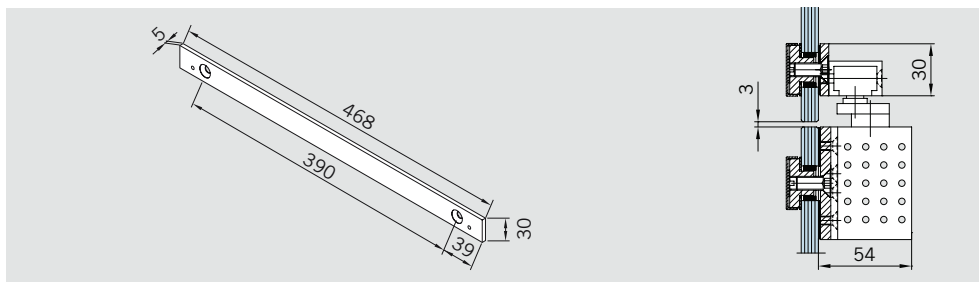
**Art. No. 12.335**

Weight in kg: alumin. 0.289

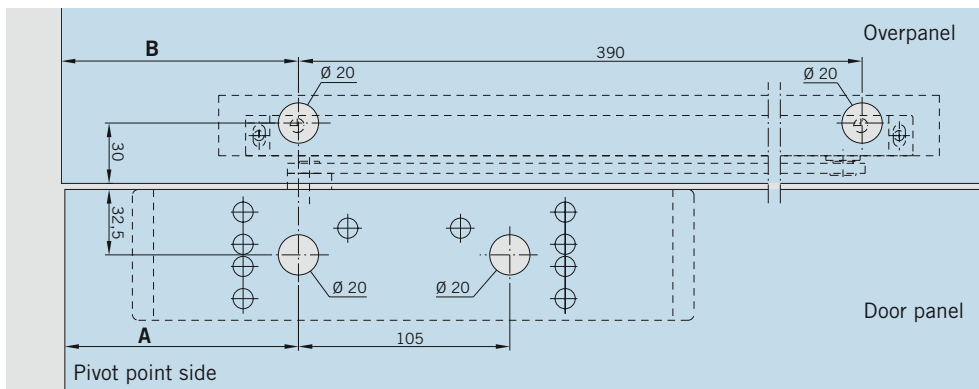


Pivot point fitting	A	B
EA (AT)	195	248
Universal/EP	245	298
Studio/Junior	170	223
ARCOS Universal	262	315

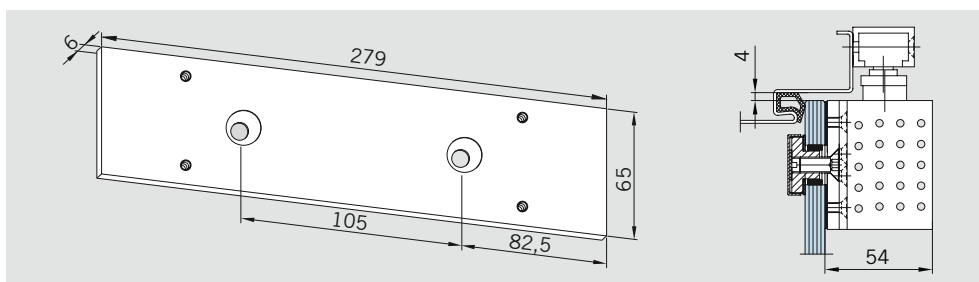
# ACCESSORIES FOR DOOR CLOSER TS 92



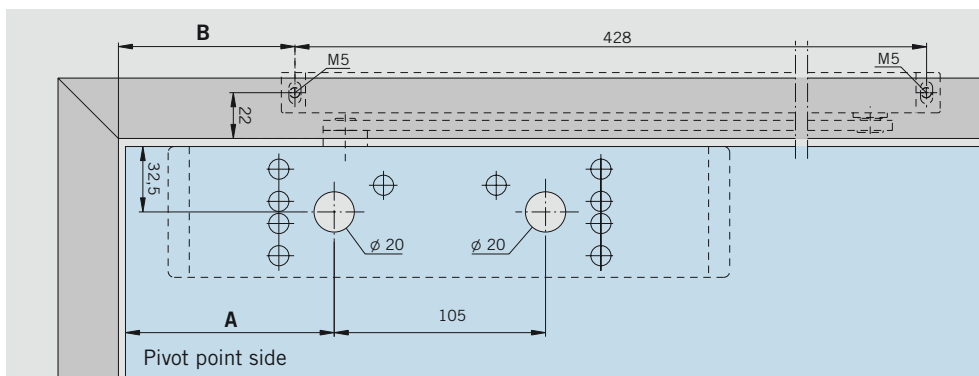
**Fixing plate**  
for DORMA TS 92,  
slide channel for overpanel  
**Art. No. 12.332**  
Weight in kg: alumin. 0.265



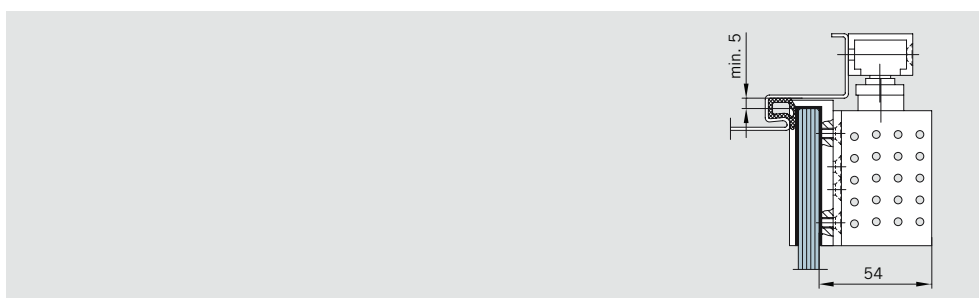
Pivot point fitting	A	B
EA (AT)/EP	200	202
Universal	250	252
Studio/Junior	148	150
ARCOS Universal	265	267



**Fixing plate**  
279 mm,  
for DORMA TS 92  
**Art. No. 12.334**  
Weight in kg: alumin. 0.290



Pivot point fitting	A	B
EA (AT)/EP	200	182
Universal	250	232
Studio/Junior	148	132
ARCOS Universal	265	247



**Saddle plate**  
and door closer TS 92 are  
available at DORMA, Ennepetal,  
or at special suppliers for  
building hardware.