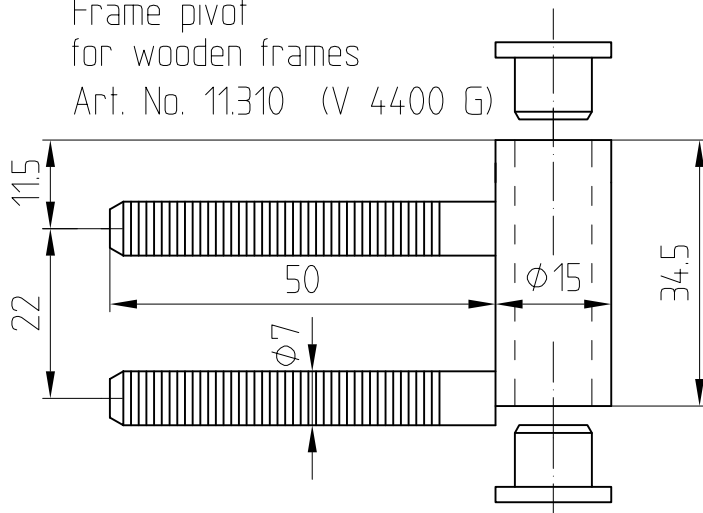
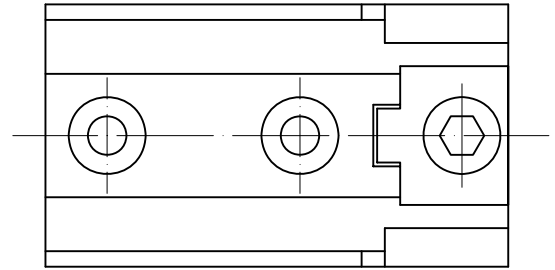


Frame pivots - Junior

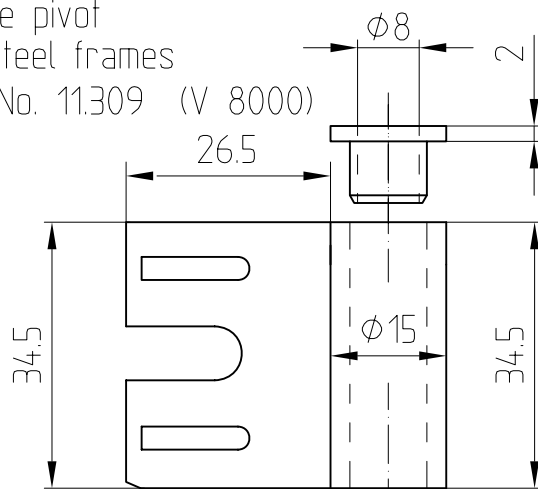
Frame pivot
for wooden frames
Art. No. 11.310 (V 4400 G)



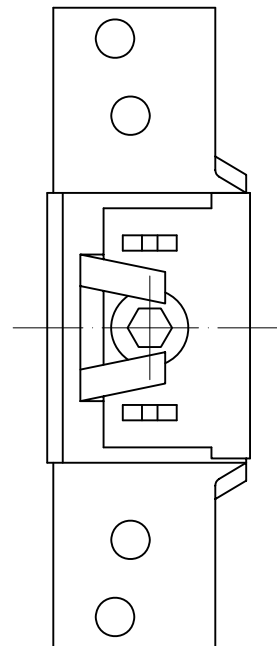
Frame pocket for wooden frames
Art. No. 10.405 (V 3600)



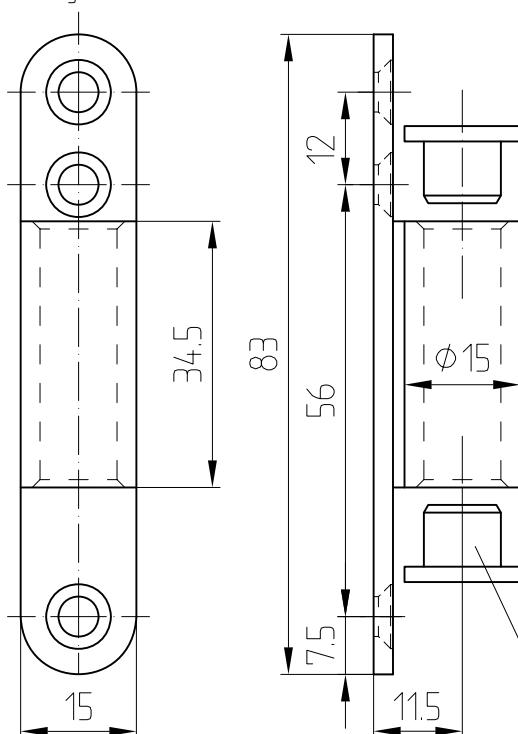
Frame pivot
for steel frames
Art. No. 11.309 (V 8000)



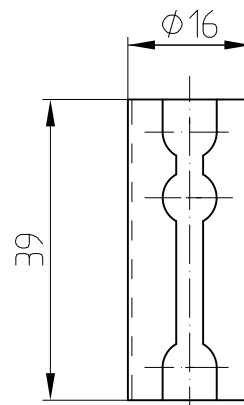
Frame pocket for
steel frames
Art. No. 10.406
(V 8600)



Screw-on frame pivot
Art. No. 11.405
(drawing 8.10.044.003.50)



Screw-on frame pivot Art. No. 11.405
unsuitable for
Junior-Office-hinges with hinge cover stainless steel



sleeve for frame pivot
Art. No. 11.311
(drawing 8.11.006.001.40)

(drawing 8.10.013.001.40)