
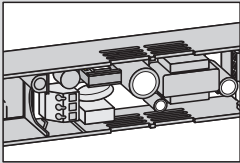


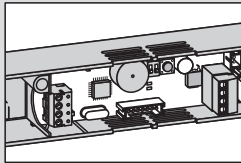
WN 056816 45532
08/12




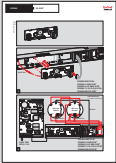
RMZ 230V AC
Art. Nr. 648000xx

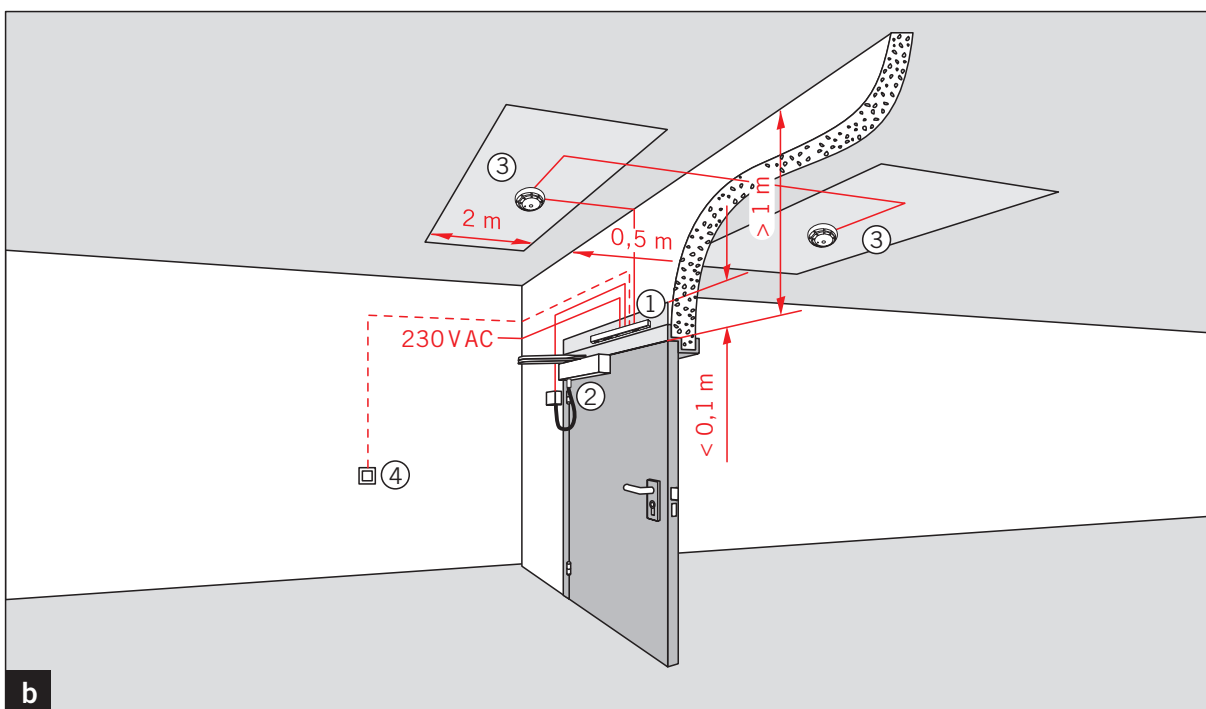
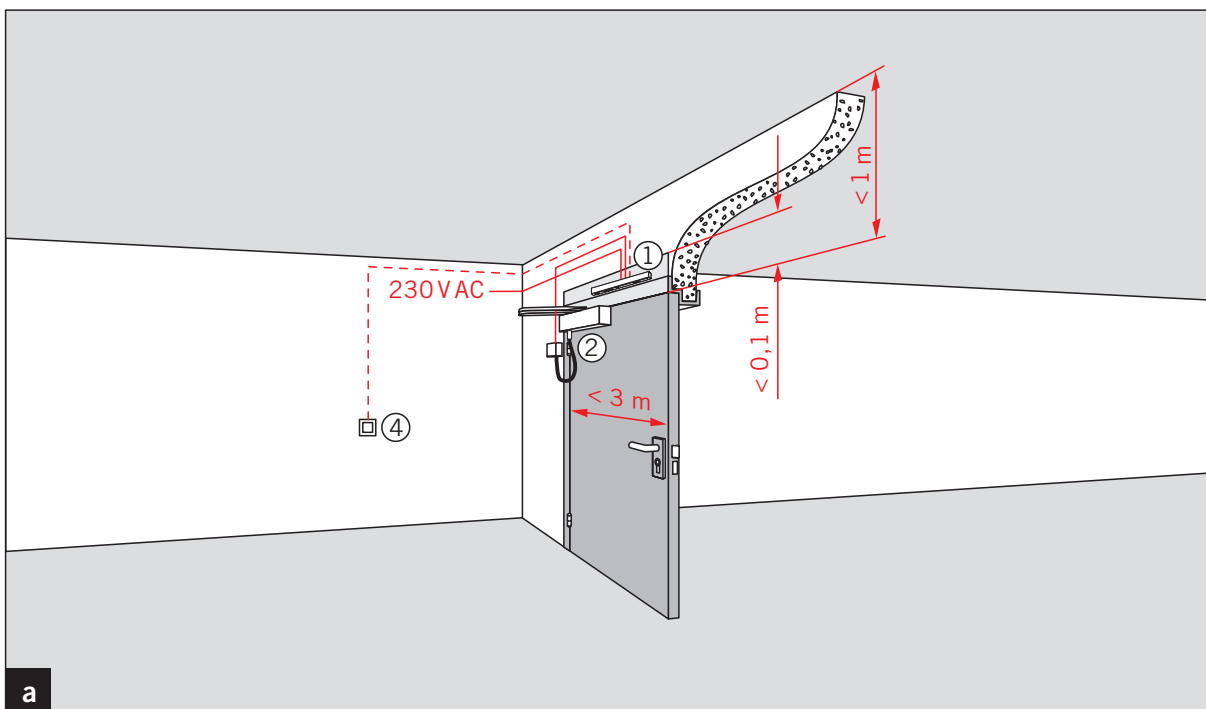


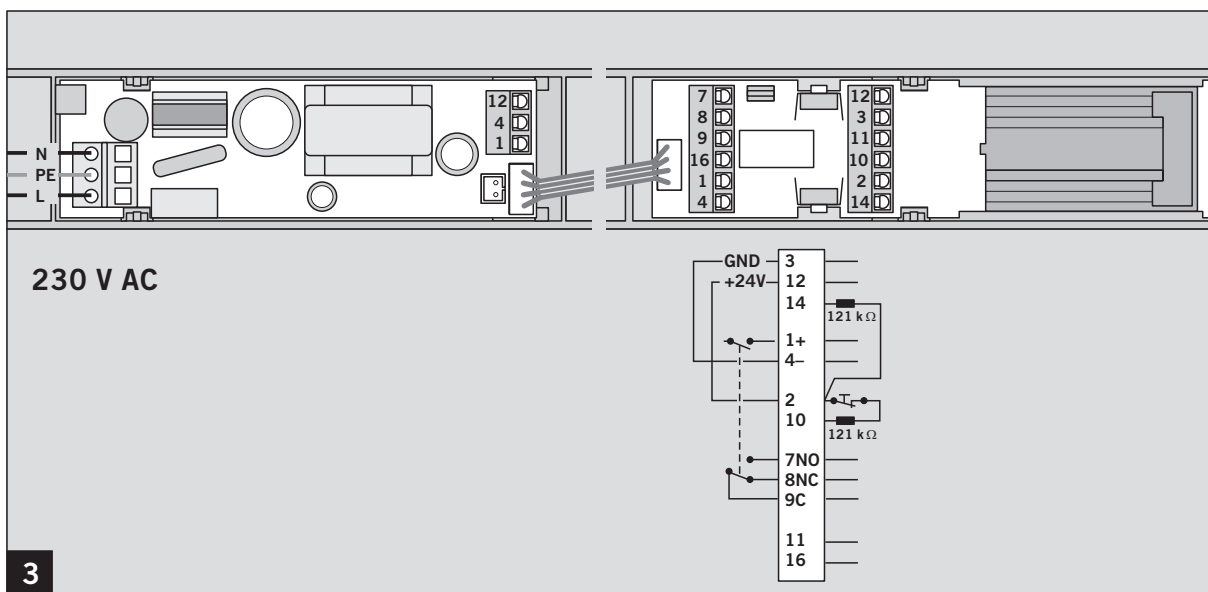
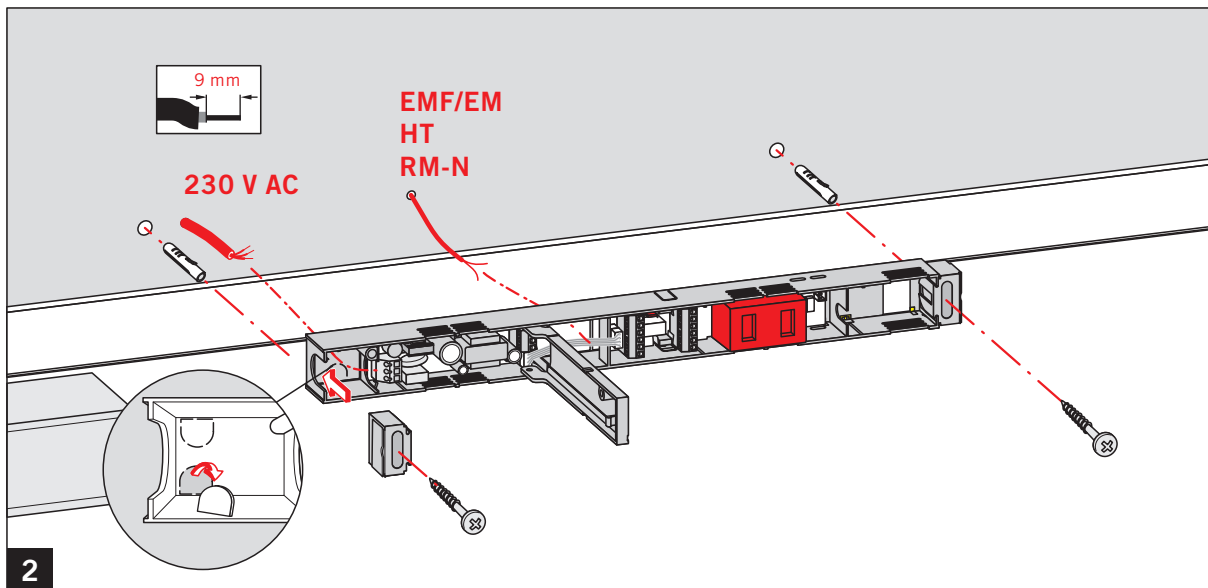
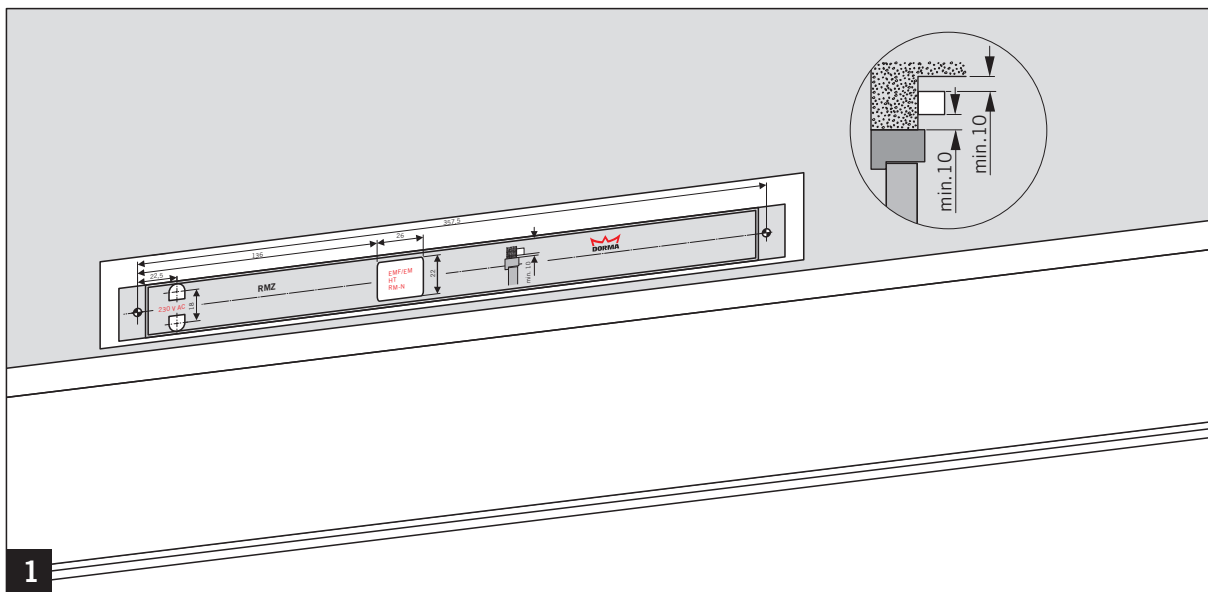
RMZ DCW[®] ~~230V AC~~
Art. Nr. 648003xx

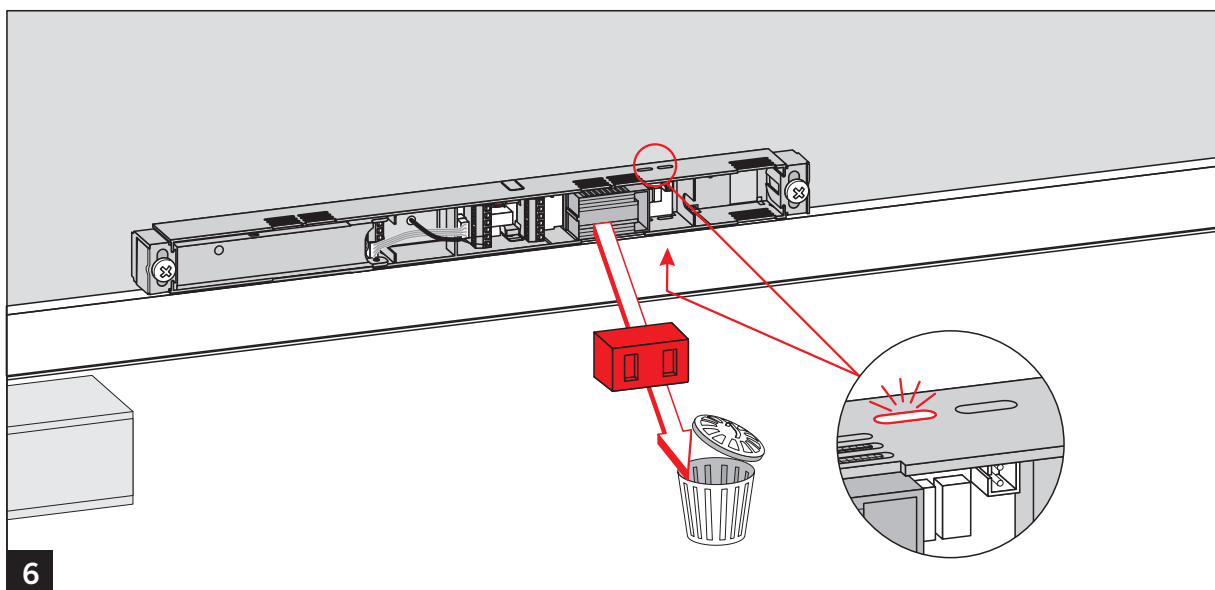
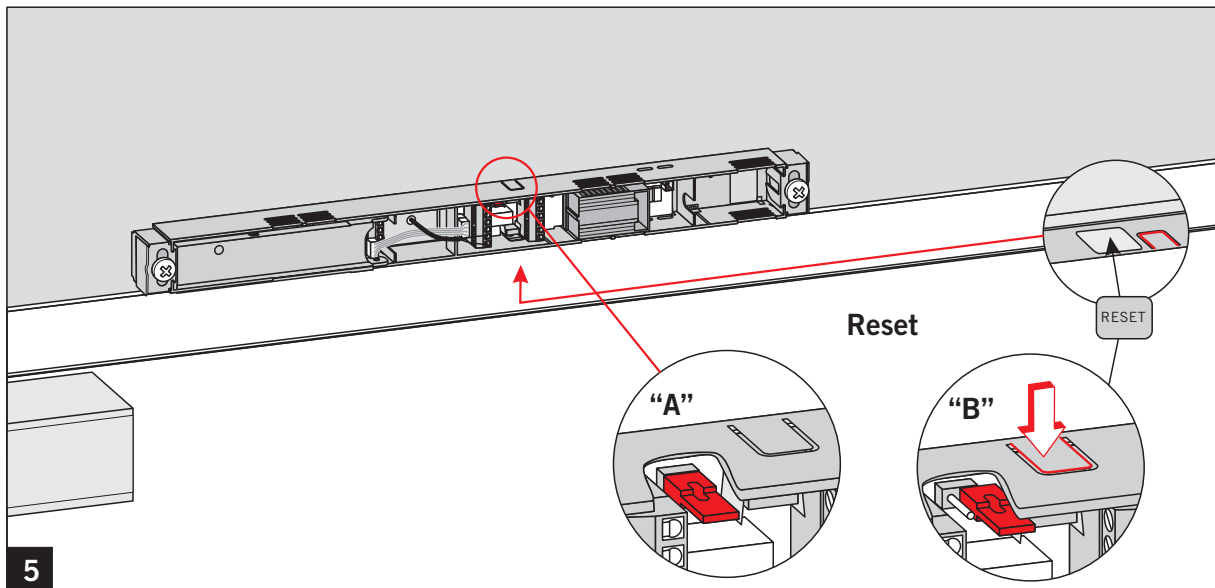
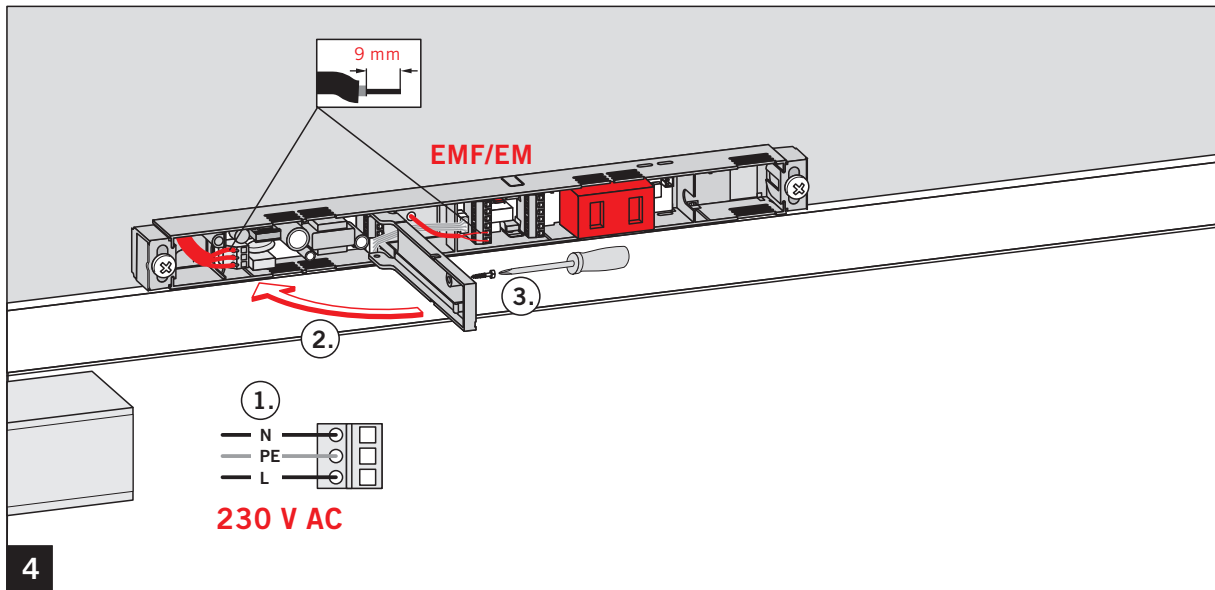


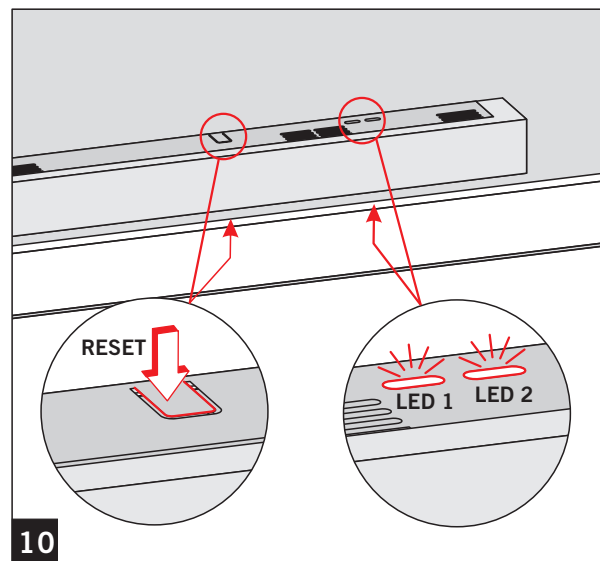
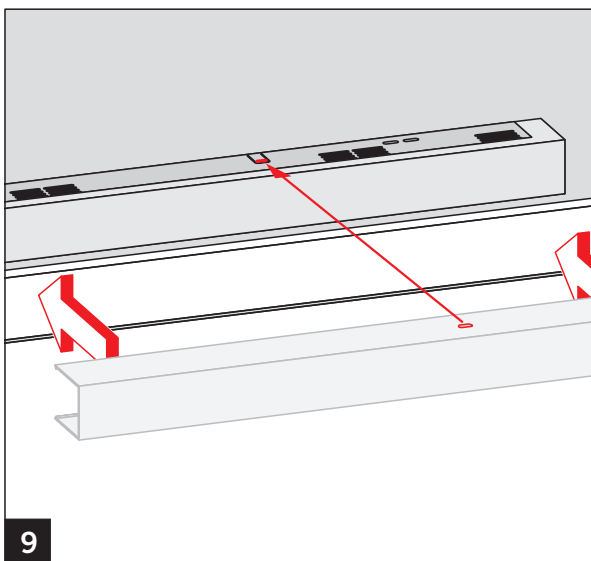
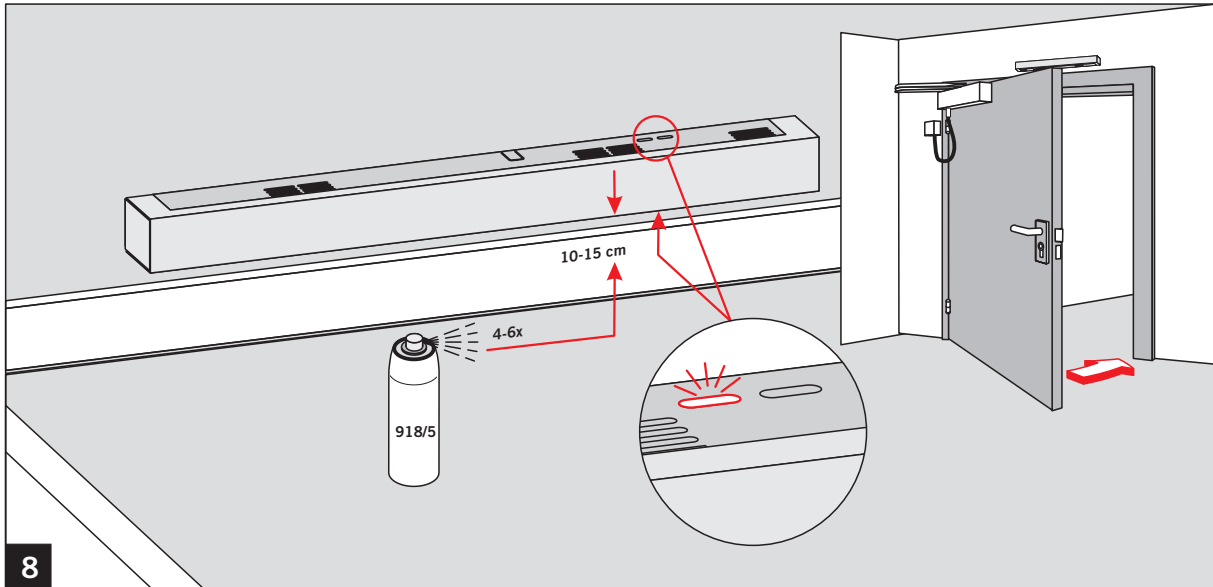
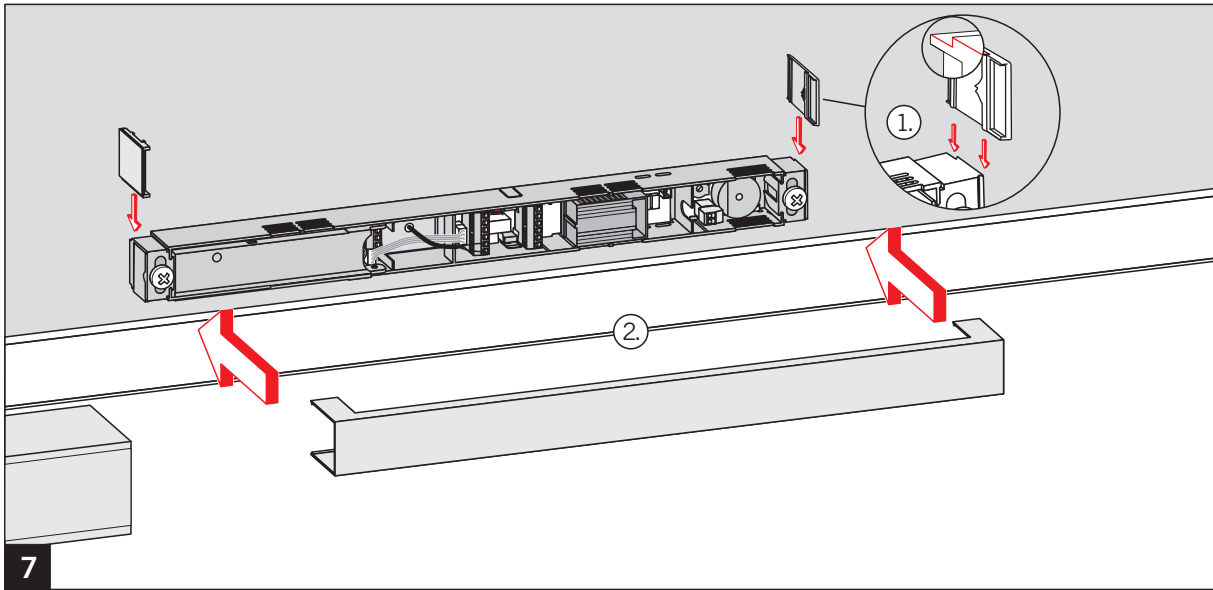
WN 056559 45532

 + 









Änderungen vorbehalten
 Subject to change without notice