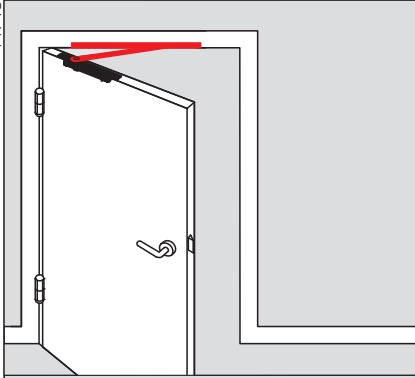


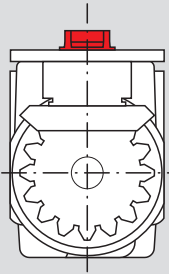
+ G 96 EMF (48 V)

058846 45532, 02/20
14/715

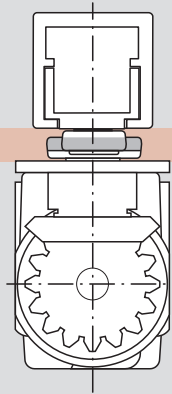


G 96 EMF
DIN L 52 00 94 01
DIN R 52 00 95 01

ITS 96 2S EN 2-4 52 35 01 50
ITS 96 EN 2-4 52 40 01 50
ITS 96 EN 3-6 52 25 01 50

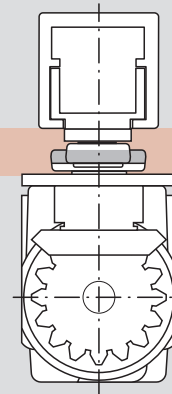


X=8,5



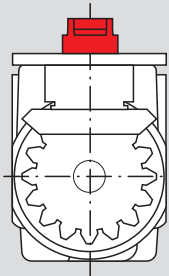
A

X=12

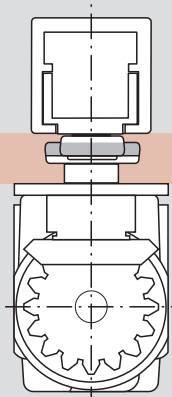


B

ITS 96 2S EN 2-4 52 36 01 50
ITS 96 EN 2-4 52 41 01 50
ITS 96 EN 3-6 52 26 01 50

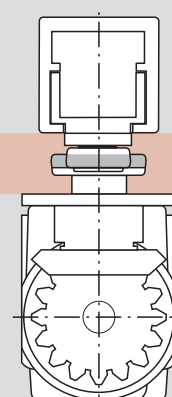


X=12,5



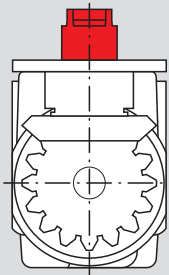
C

X=16

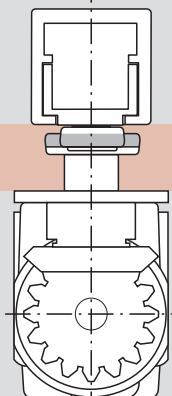


D

ITS 96 2S EN 2-4 52 37 01 50
ITS 96 EN 2-4 52 42 01 50
ITS 96 EN 3-6 52 27 01 50

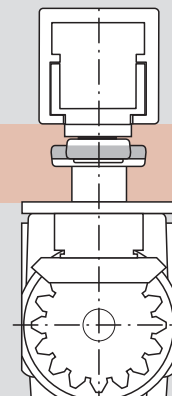


X=16,5



E

X=20

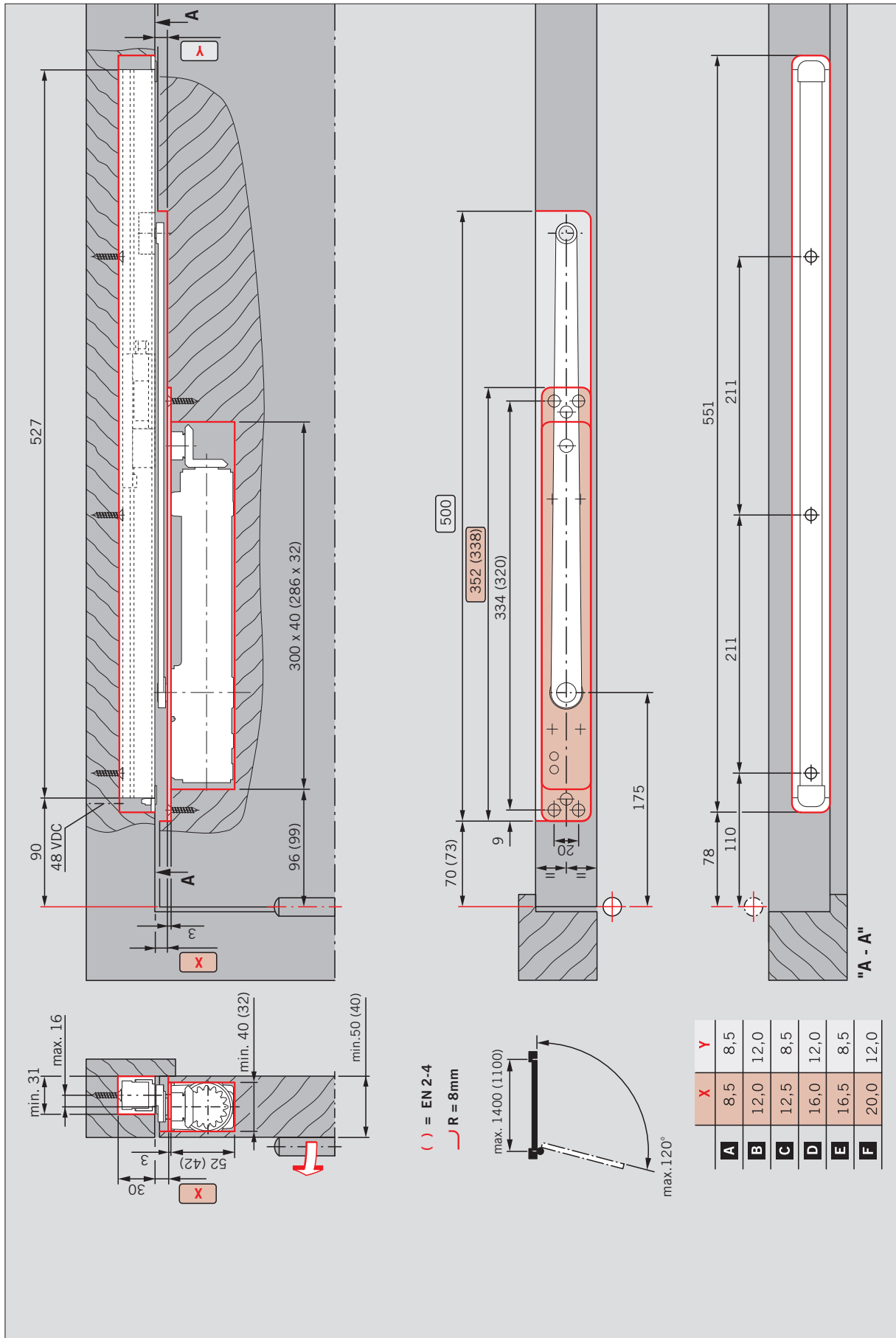


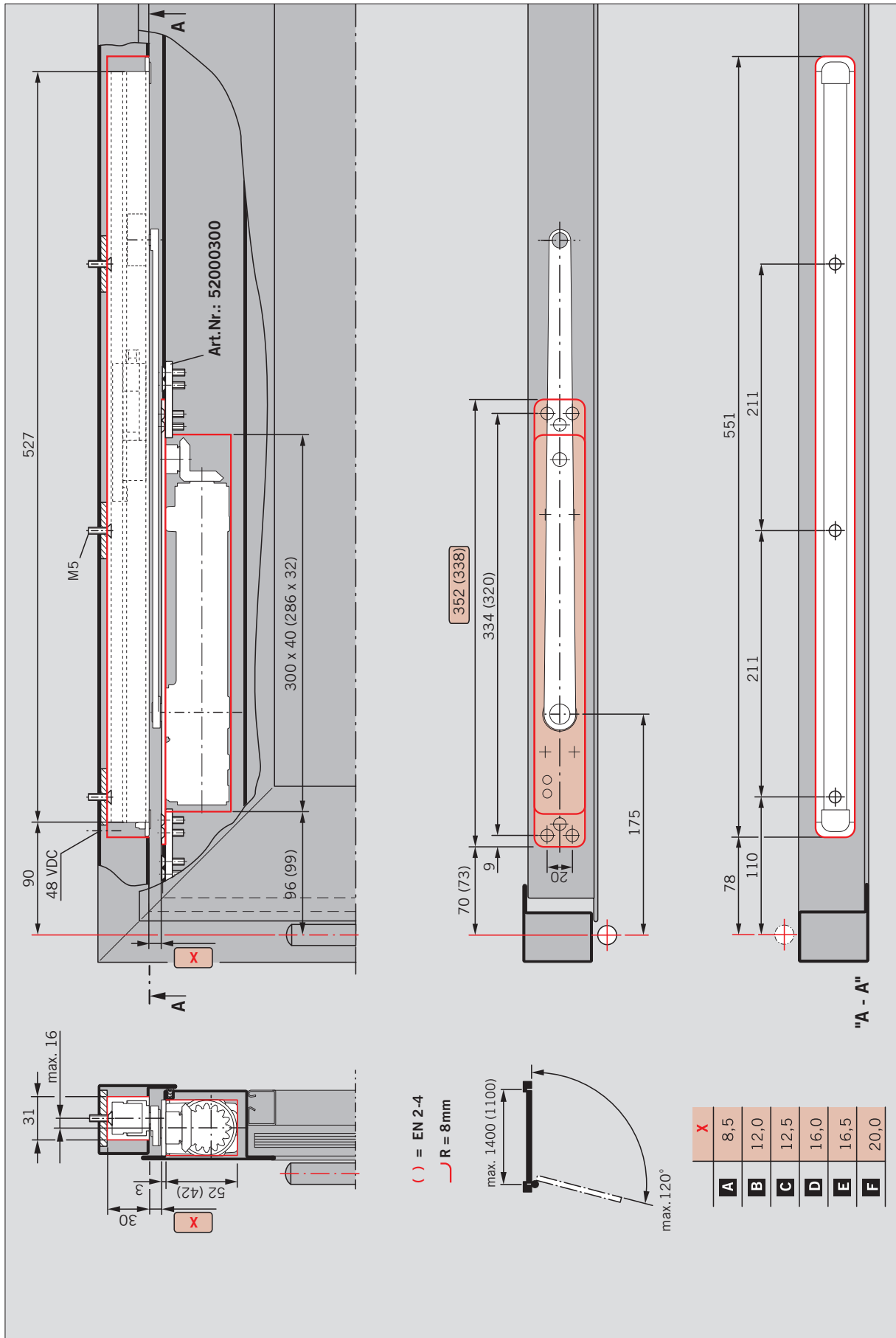
F

CE	dormakaba Deutschland GmbH Postfach 4009 58 247 Ennepetal	04
	EN 1154:1996+A1:2002	3 8 2-4 1 1 4 3 8 3-6 1 1 4
0432-CPR-00026-31		DOP_0051 / DOP_0052

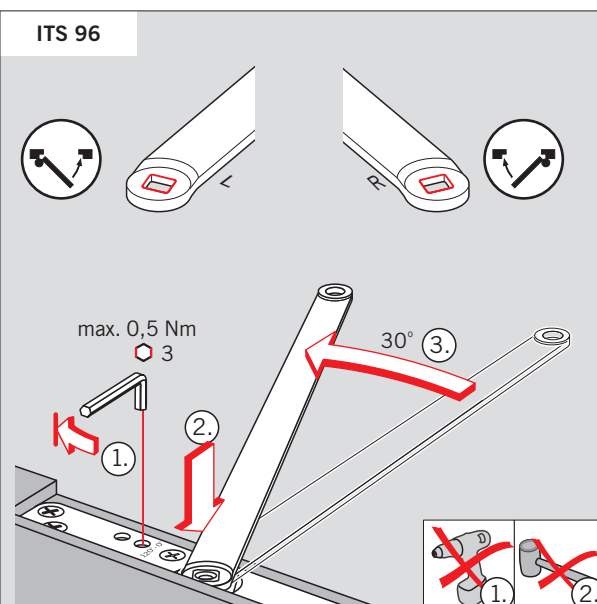
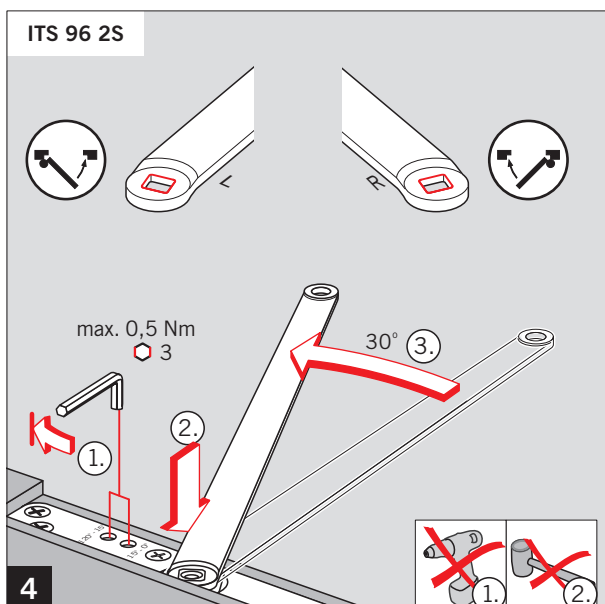
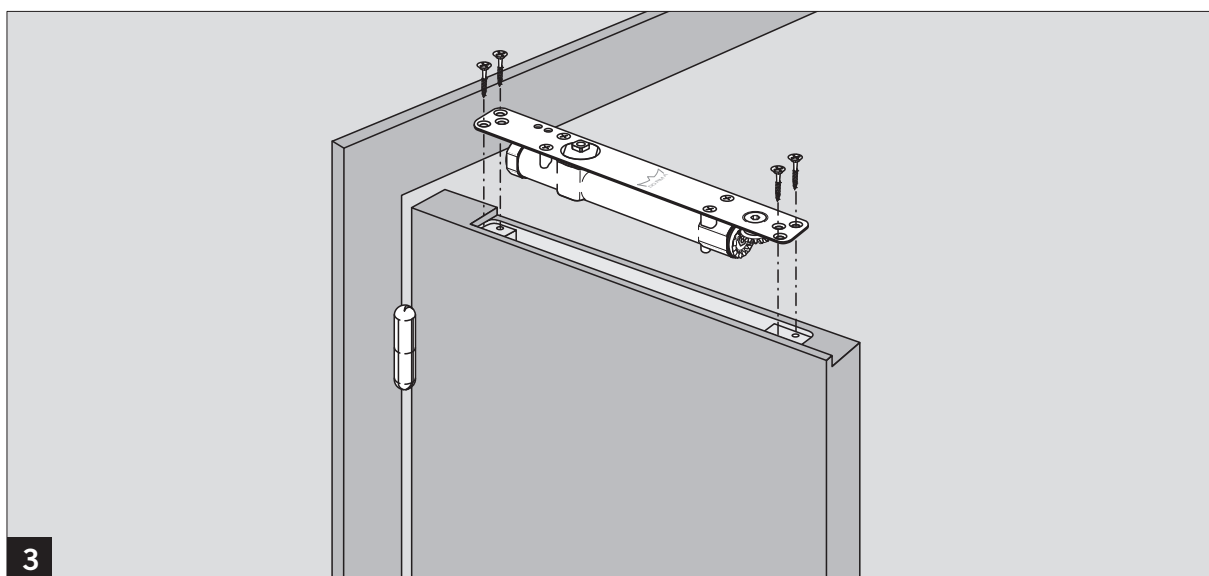
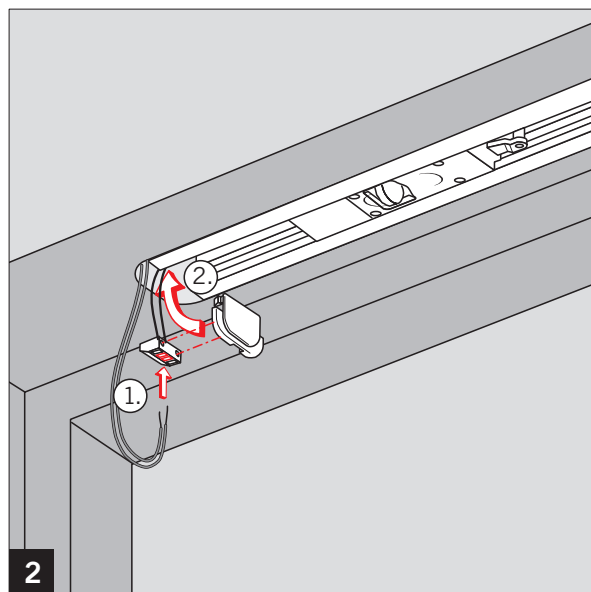
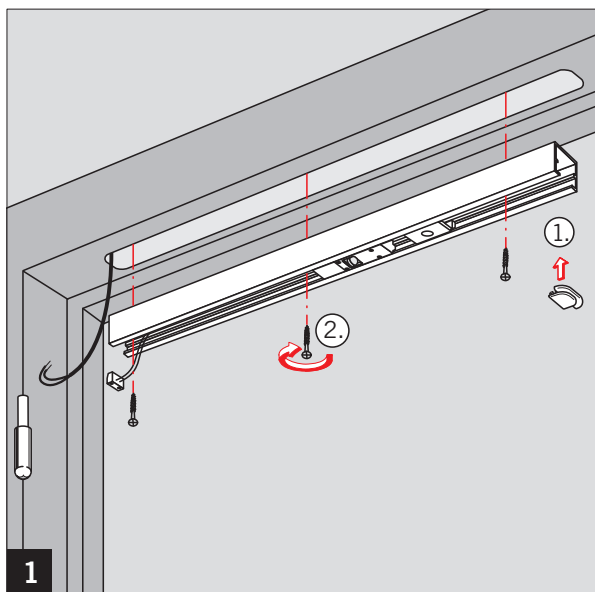
CE	DORMA Deutschland GmbH DORMA Platz 1 58 256 Ennepetal	04
	EN 1155:1997/A1:2002	3 8 3-5 1 1 3 AC:2006-02
0432-CPR-00026-60		DOP_0074

ITS 96 2S EN 2-4, ITS 96 EN 2-4 / EN 3-6

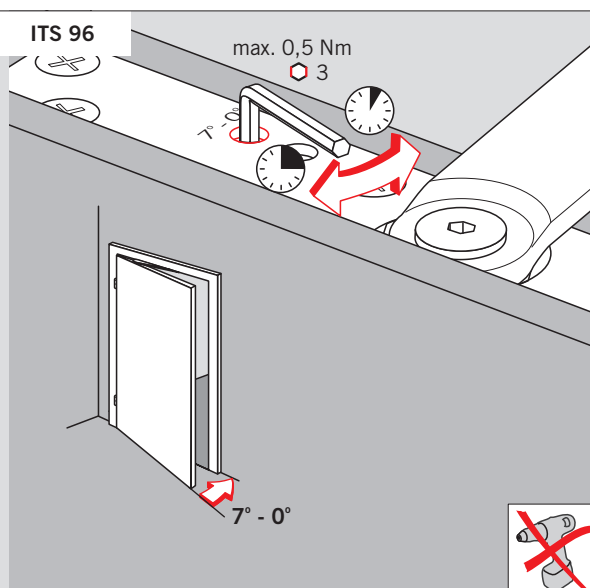
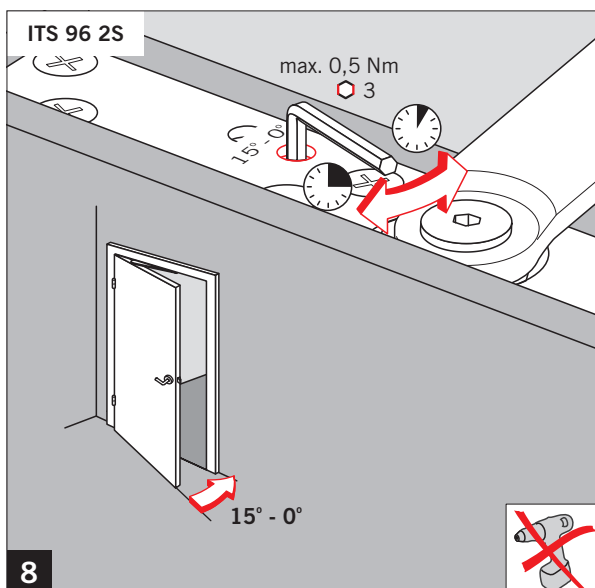
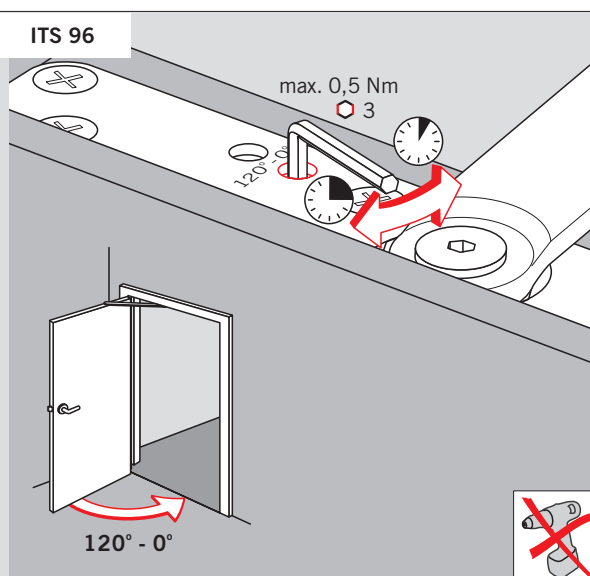
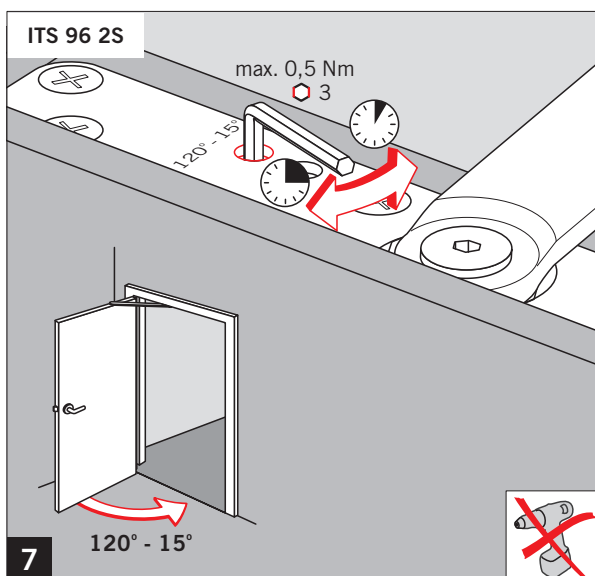
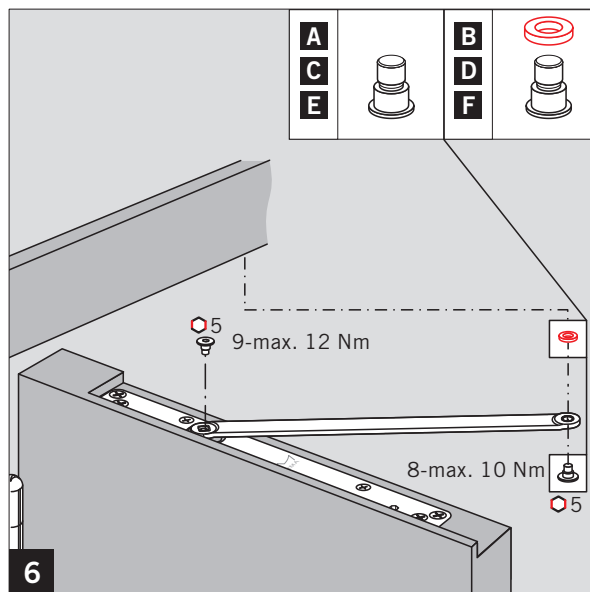
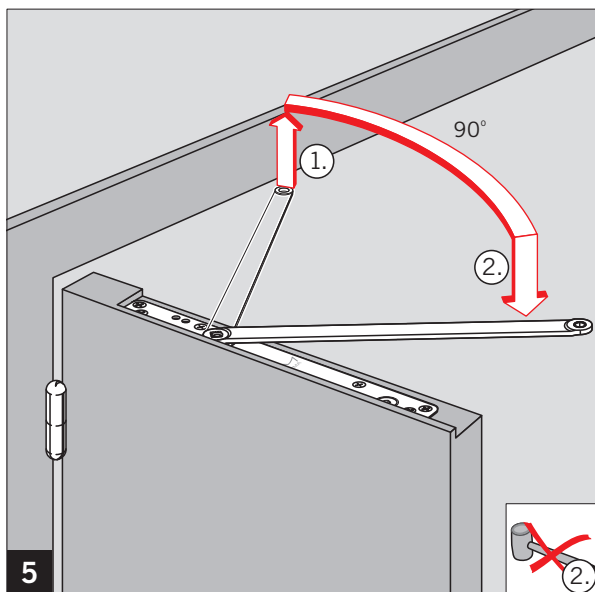





ITS 96 2S EN 2-4, ITS 96 EN 2-4 / EN 3-6

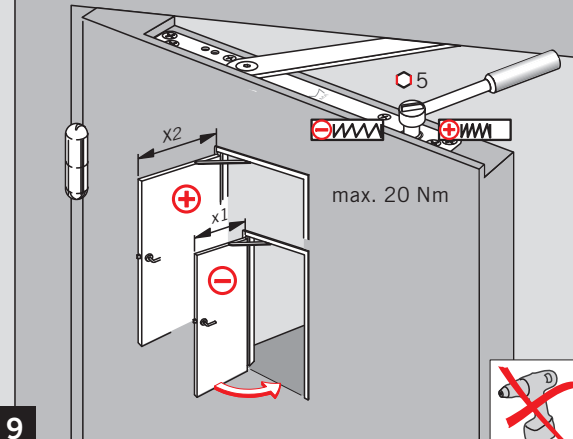


ITS 96 2S EN 2-4, ITS 96 EN 2-4 / EN 3-6



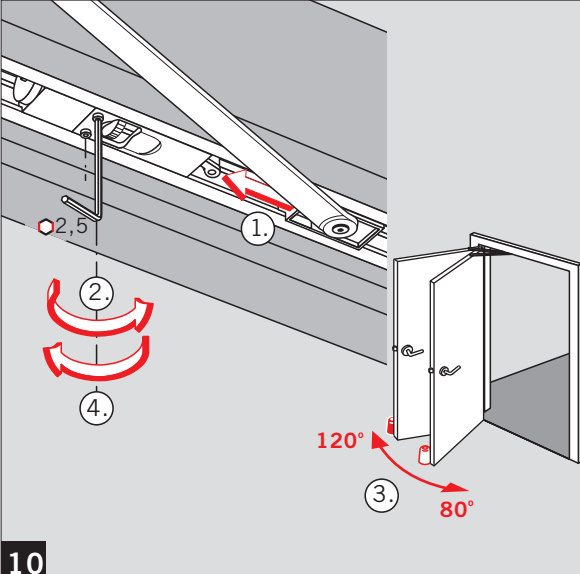
ITS 96 2S EN 2-4, ITS 96 EN 2-4 / EN 3-6

≥ EN 3		X1	X2 max.
	ITS 96 / ITS 96 2S	EN 2-4	850 mm 1100 mm
	ITS 96	EN 3-6	950 mm 1400 mm



max. 20 Nm

9



2,5

1.

2.

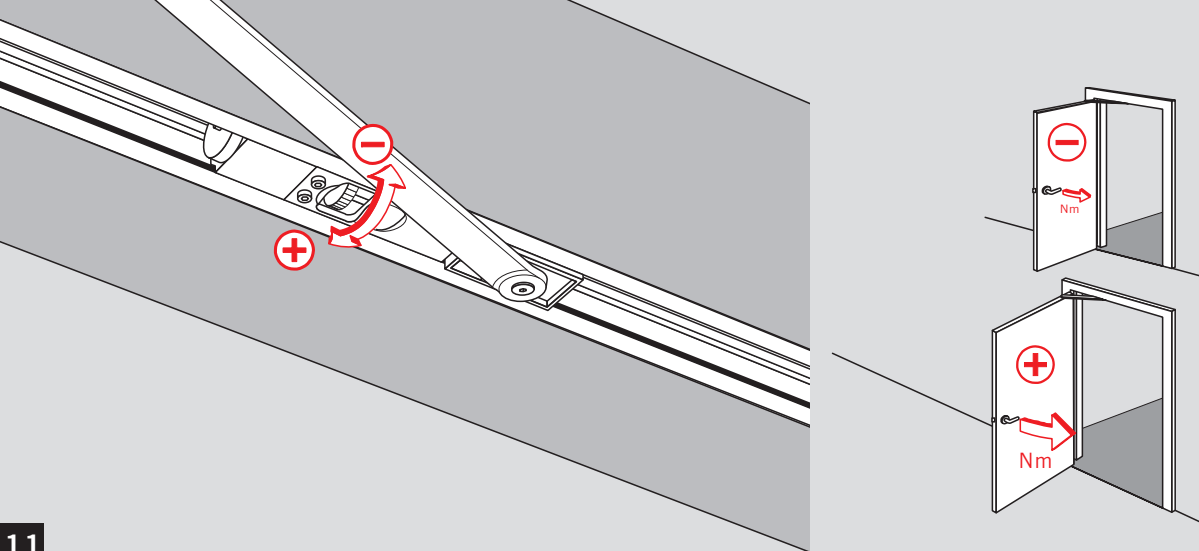
4.

120°

80°

3.

10



+

-

Nm

Nm

11

Änderungen vorbehalten
Subject to change without notice