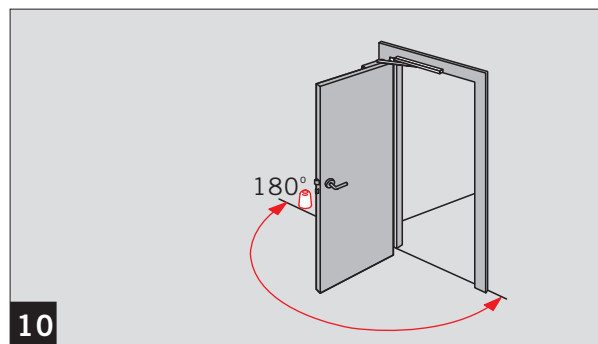
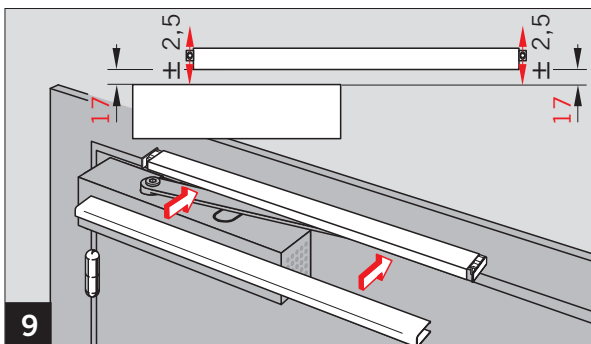
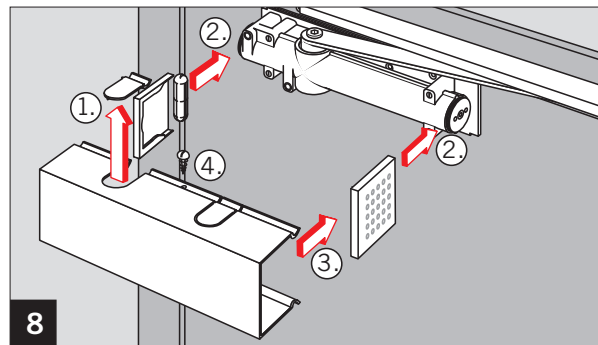
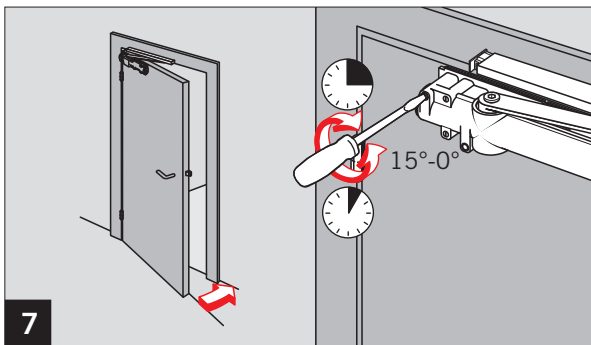
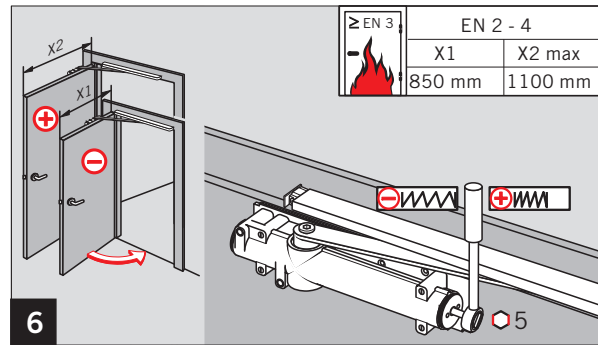
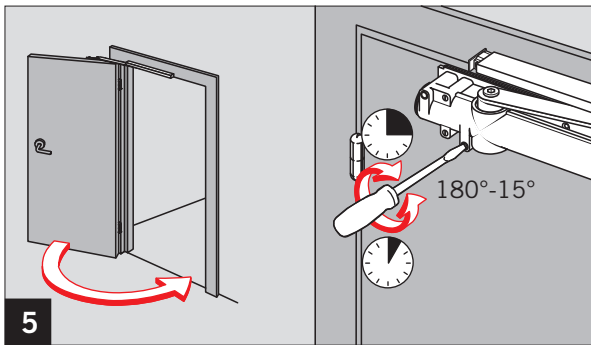
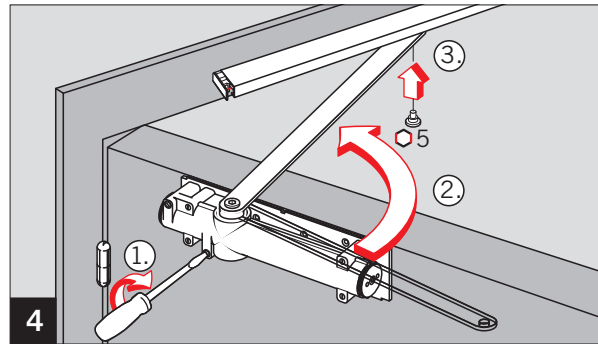
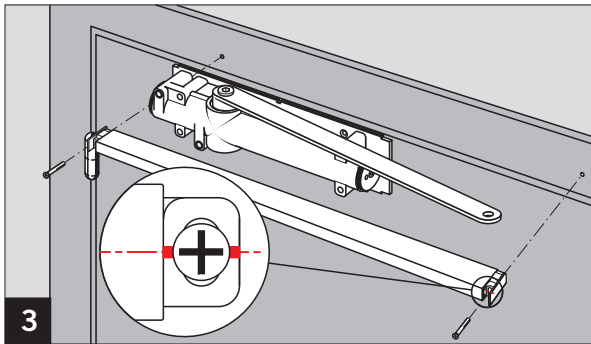
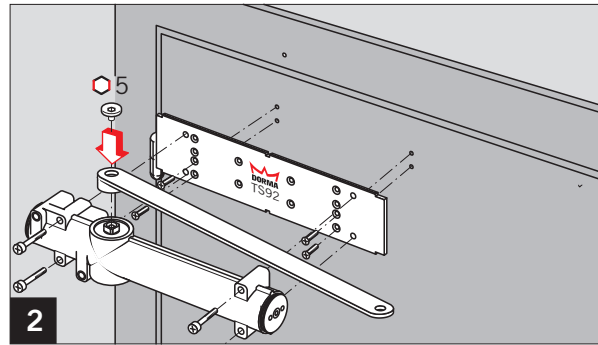
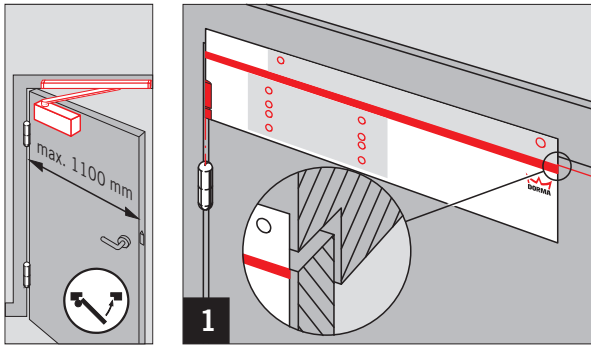
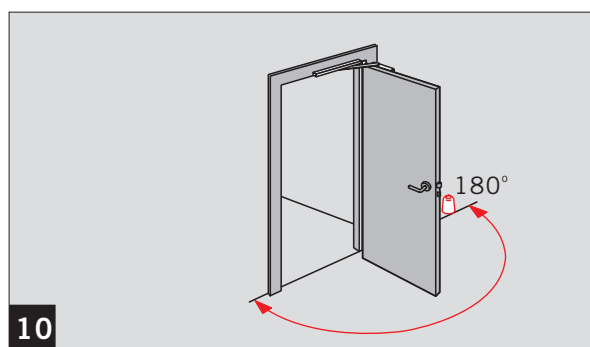
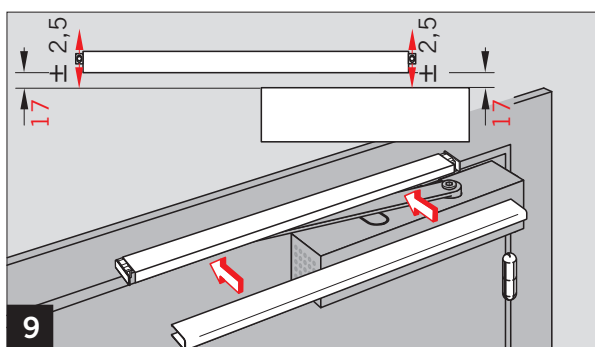
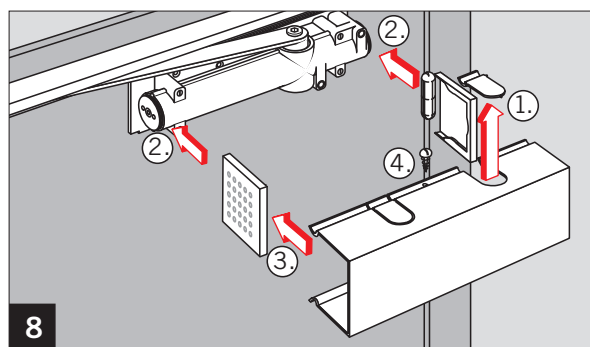
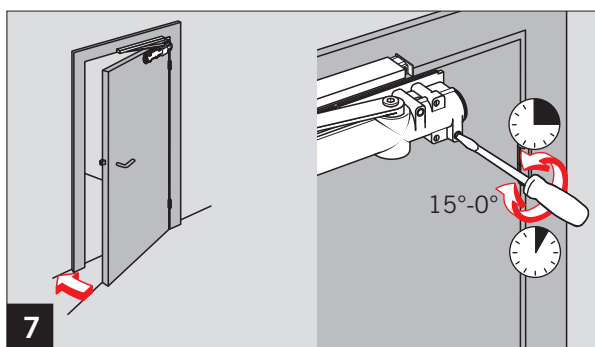
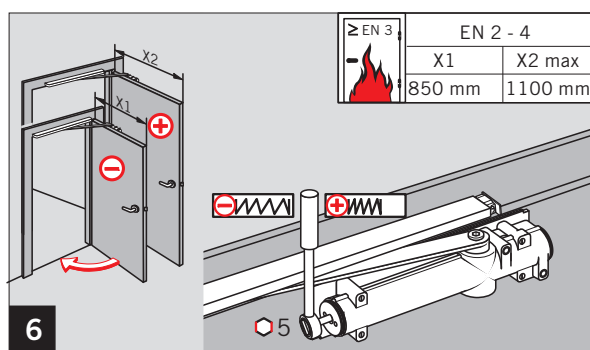
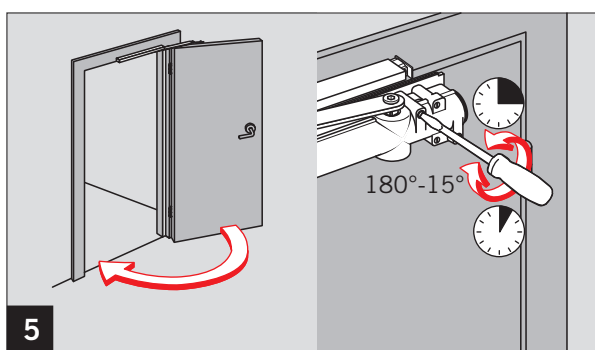
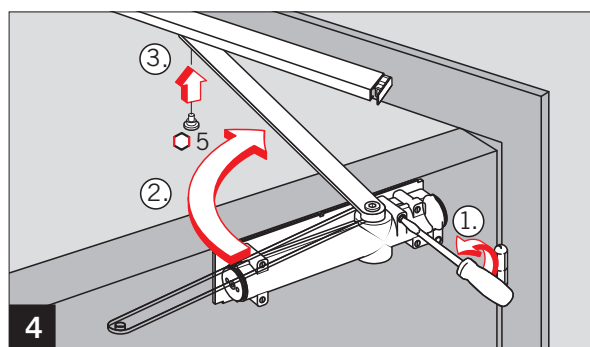
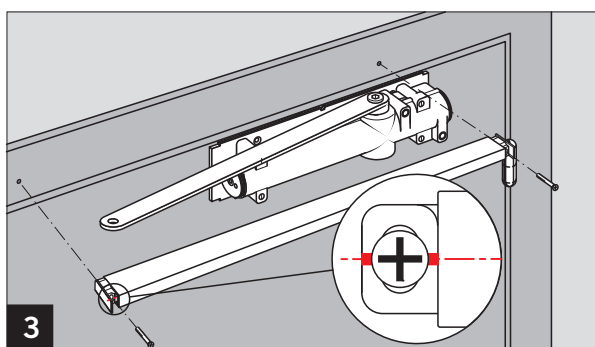
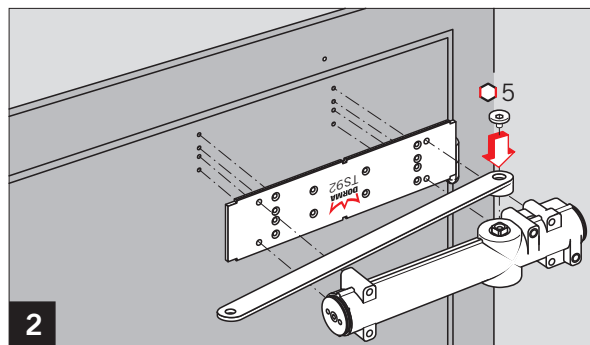
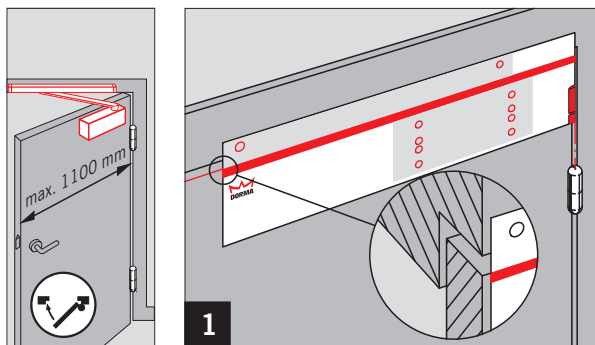
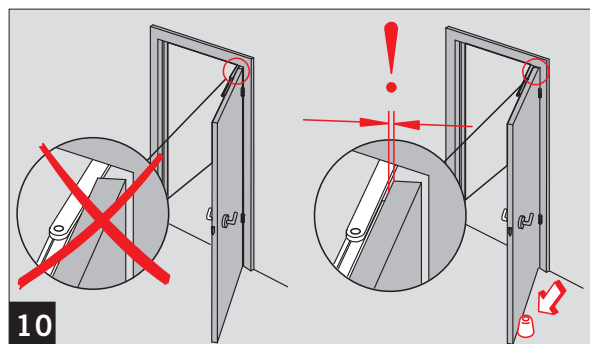
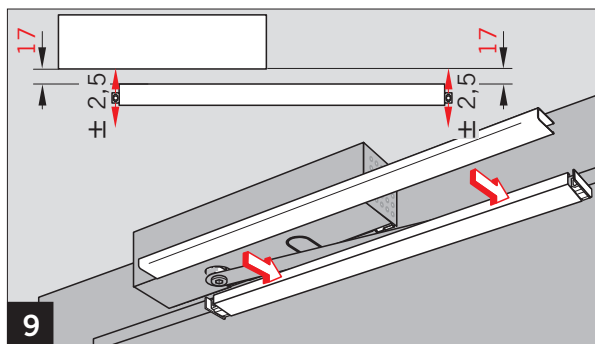
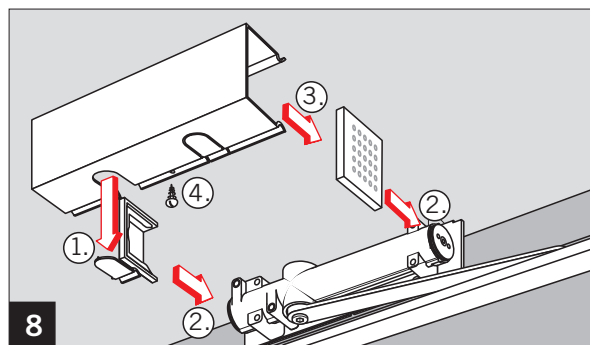
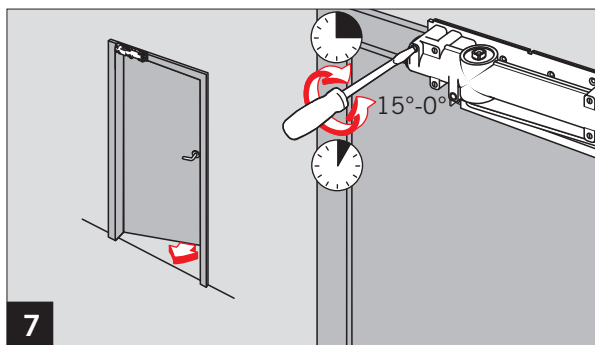
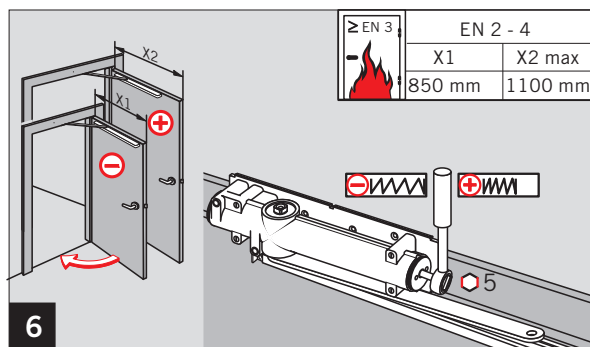
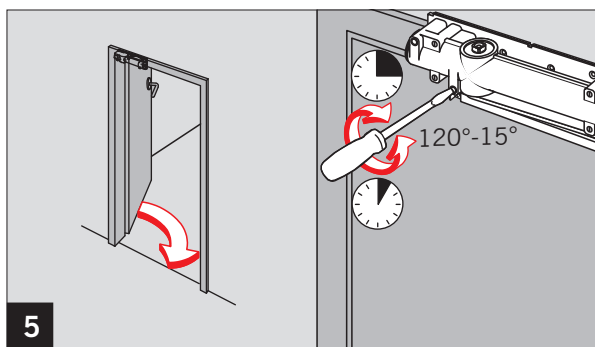
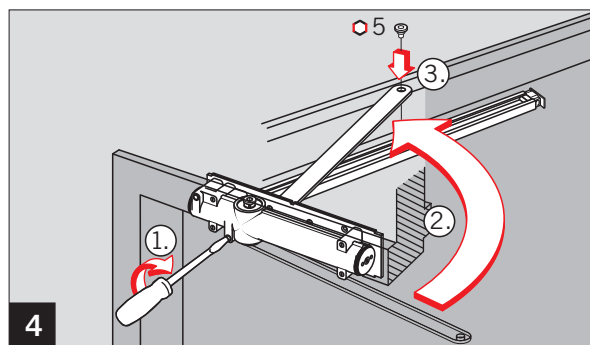
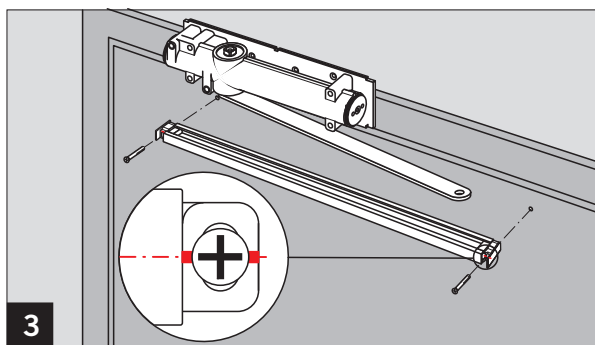
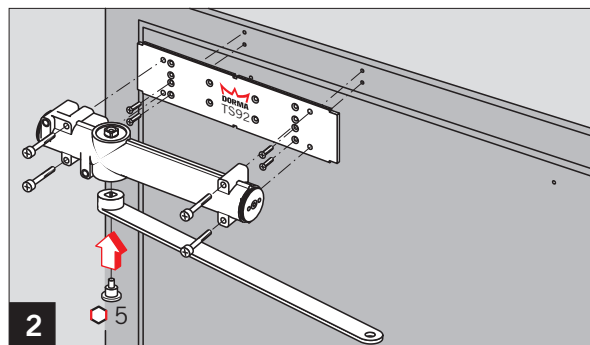
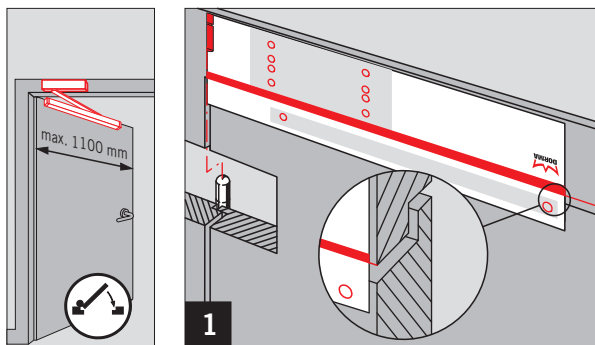


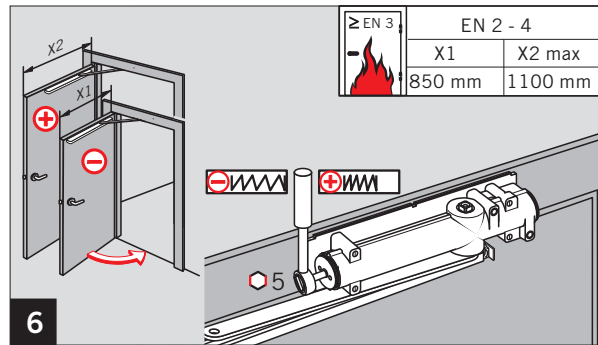
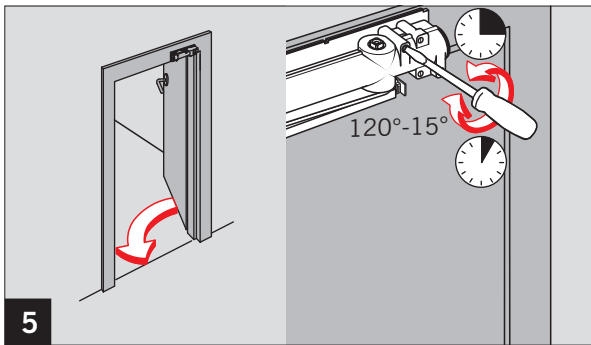
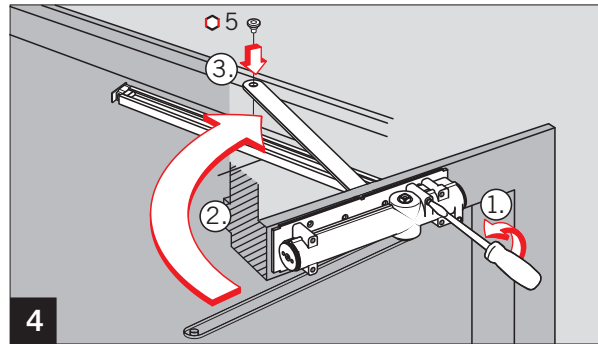
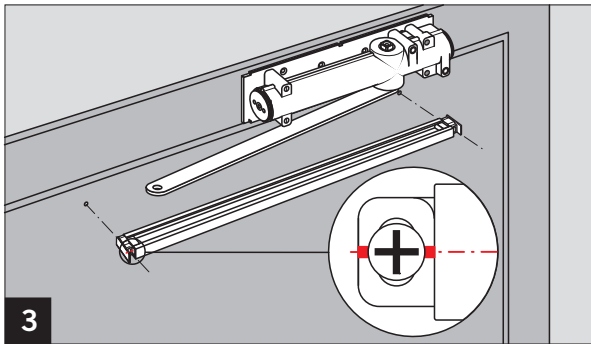
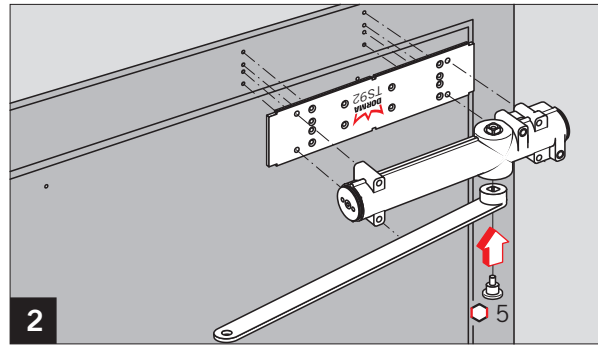
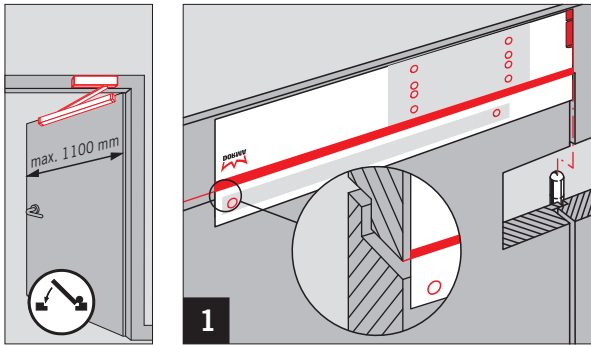
WN 056600 45632  
11/11



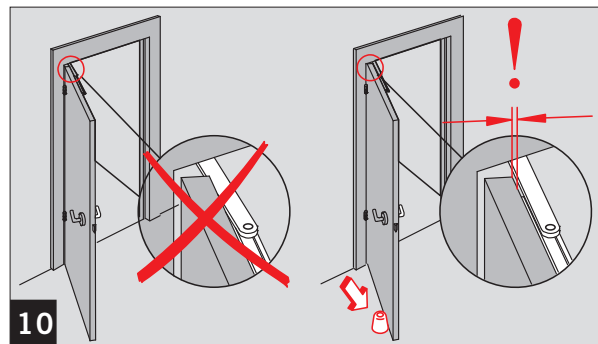
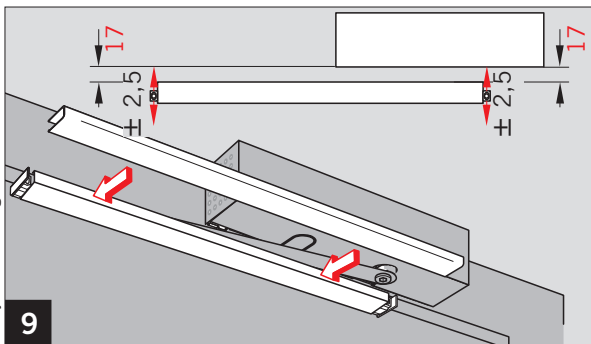
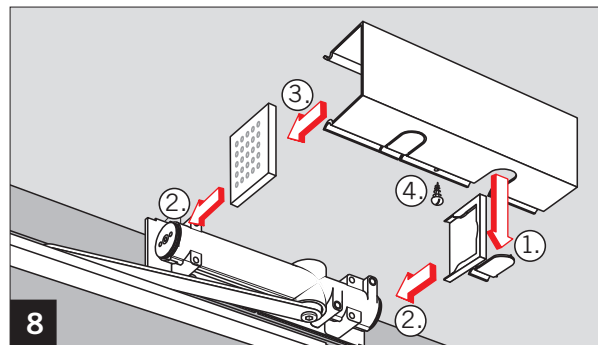
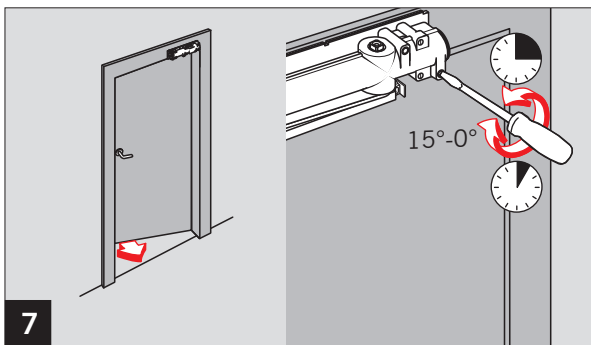
|                            |                                                          |                 |                      |   |   |   |   |   |   |
|----------------------------|----------------------------------------------------------|-----------------|----------------------|---|---|---|---|---|---|
| CE                         | DORMA GmbH + Co. KG<br>Postfach 4009<br>58 247 Ennepetal | 0432 - BPR-0051 | EN 1154:1996+A1:2002 | 4 | 8 | 1 | 1 | 1 | 3 |
|                            |                                                          |                 |                      | 4 | 8 | 4 | 1 | 1 | 3 |
| Dangerous substances: None |                                                          |                 |                      |   |   |   |   |   |   |







| EN 2 - 4 |         |
|----------|---------|
| ≥ EN 3   |         |
| X1       | X2 max  |
| 850 mm   | 1100 mm |



Änderungen vorbehalten  
 Subject to change without notice