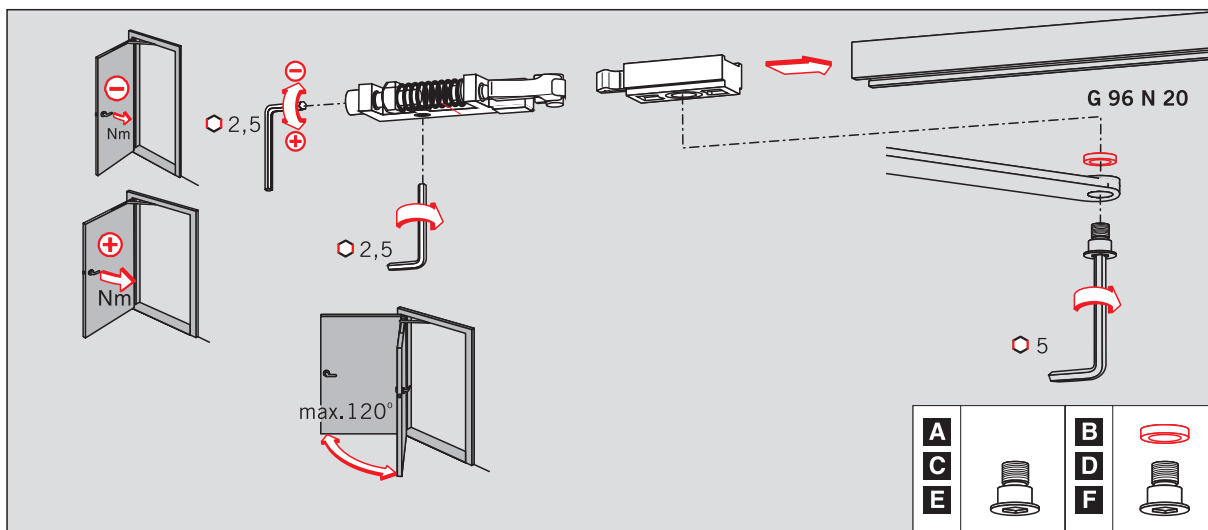
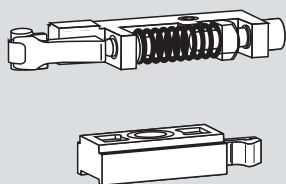




WN 055994 45532
01/09

Art. Nr.52005600



	G 96 N20 K8/K12	
	DIN L 52 00 37 01	DIN R 52 00 38 01
	K8	K12
<p>ITS 96</p> <p>EN 2-4 52 40 01 50</p> <p>EN 3-6 52 25 01 50</p>	<p>X=8,5</p> <p>A</p>	<p>X=12</p> <p>B</p>
<p>ITS 96</p> <p>EN 2-4 52 41 01 50</p> <p>EN 3-6 52 26 01 50</p>	<p>X=12,5</p> <p>C</p>	<p>X=16</p> <p>D</p>
<p>ITS 96</p> <p>EN 2-4 52 42 01 50</p> <p>EN 3-6 52 27 01 50</p>	<p>X=16,5</p> <p>E</p>	<p>X=20</p> <p>F</p>

Änderungen vorbehalten
Subject to change without notice