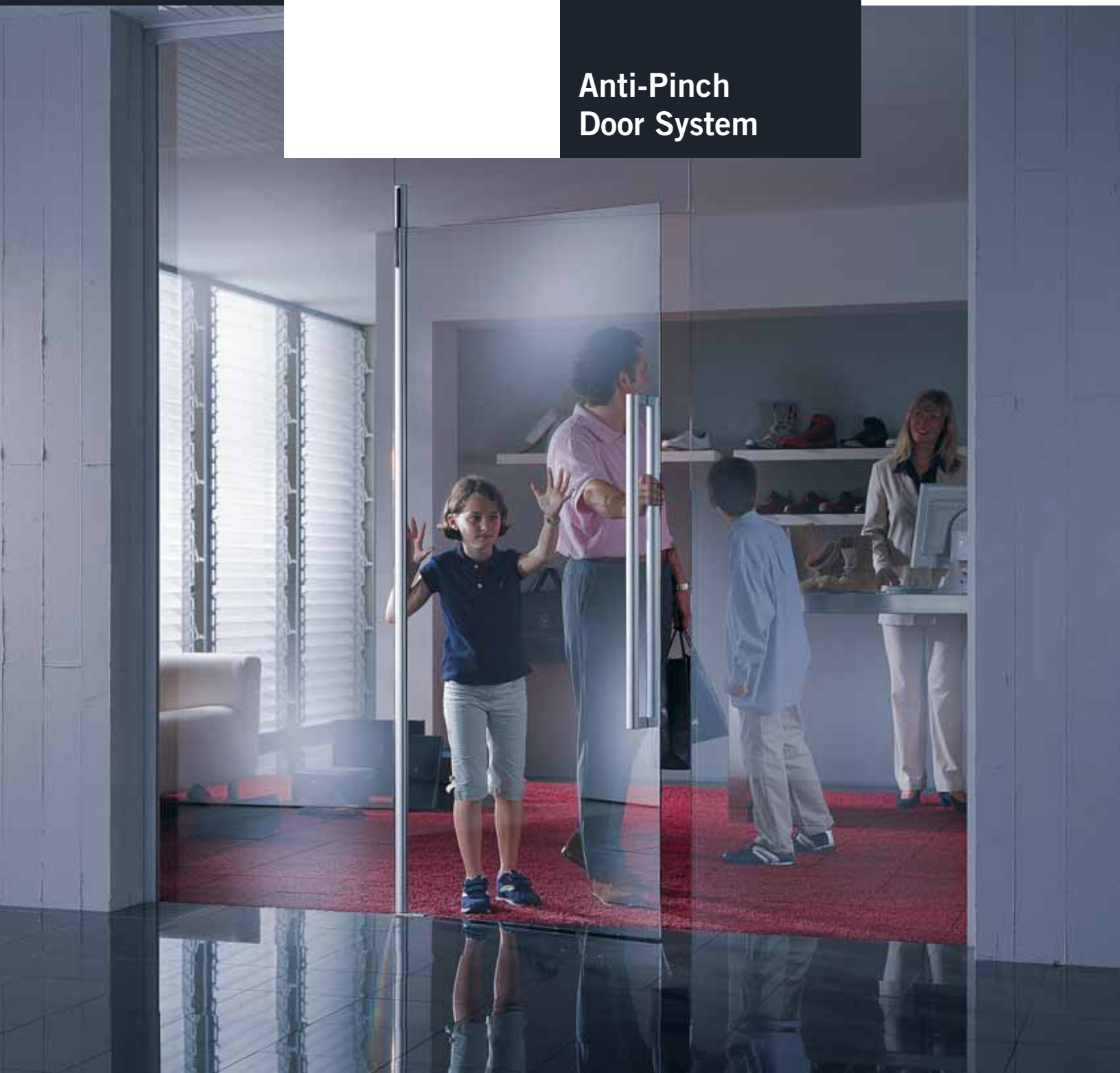


# BEYOND

## Anti-Pinch Door System



# DORMA BEYOND

## CONTENTS

- 3 Pinch free and easy action
- 4 Short pivot rod
- 5 Continuous pivot rod
- 6 Swing door fittings
- 6 Glass preparation
- 9 Accessories



## Pinch free and easy action

The unique DORMA BEYOND system for glass doors is safe, functional, and attractive.

Characterized by its systematic design and clear styling lines, DORMA BEYOND enables you to build frameless swing glass doors into tempered glass assemblies and wall openings. Whether your application is residential or commercial, modern or traditional, this new system is the elegant, technically perfect solution.

The patented DORMA BEYOND swing door system locates its pivot point centrally in the glass axis and close to the glass edge, ensuring safety and security. This feature prevents the risk of trapped fingers often found at the pivoting side of glass swing doors.

The options of an elegant, continuous pivot rod or a short rod make the system adaptable to any room situation. To meet your design requirements, DORMA BEYOND offers a choice of pull handles or lock/lever handle combinations.

Developed with market requirements in mind, DORMA BEYOND offers a practical alternative whenever you need to complement security, safety, and functionality with attractive design.



No tears here—minimal pinch-free gaps even with the short pivot rod.



The overpanel pivot fitting—a slim connector.



An option for the bottom pivot point—short rod on a floor pivot.

## DORMA BEYOND swing door system



The DORMA BEYOND swing door system is available with either a short pivot rod or full height continuous pivot rod. The short pivot rod system provides a versatile solution regardless of the door dimensions, while the continuous pivot rod system offers complete freedom from the risk of trapped fingers. By locating

the pivot point of the swing door right at the glass edge and providing a round profile, the continuous pivot rod reduces pinch hazards to zero.

DORMA floor pivots form the ideal base for ensuring the swing door always returns safely and securely to its zero position. For floor mounting single-acting and particularly

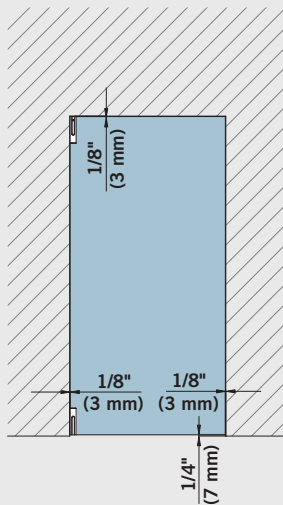
double-acting doors, the DORMA BTS floor closer offers a convenient alternative to the floor pivot. In this case, DORMA recommends a glass sidelite because the pivot point position requires the closers to be buried under the adjacent wall (page 13).

The top connection depends on the type of unit. When

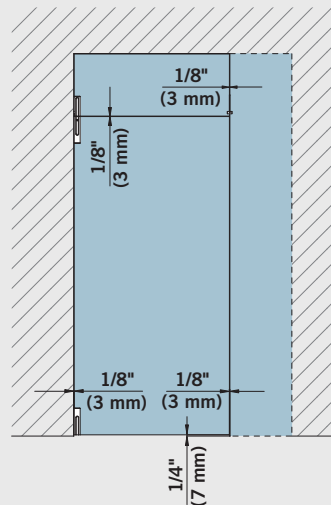
### – with short pivot rod

#### Typical assemblies

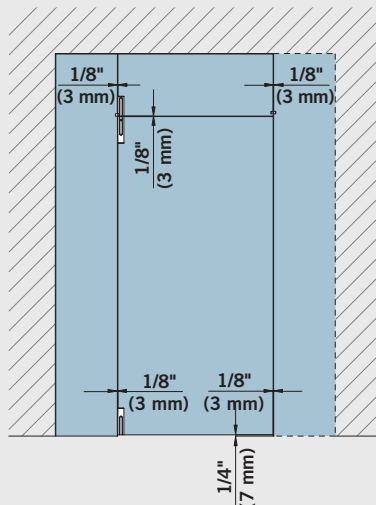
**Basic set for individual door.**  
For installation in masonry.



**Basic set and overpanel fitting wall connector for door with overpanel.**  
Optionally with sidelite on closing side.



**Basic set and overpanel fitting wall connector for door with overpanel and sidelite on pivot point side.**  
Optionally with sidelite on closing side.



For 3/8" (10 mm) glass  
**Art. No. 830.100**

For 1/2" (12 mm) glass  
**Art. No. 830.101**

Max. door weight:  
176 lb (80 kg)

Max. door width:  
39-3/8" (1000 mm)

Max. door height:  
86" (2185 mm)

**With overpanel**

Max. overpanel width:  
39" (990 mm)

Max. overpanel height:  
23" (584 mm)

incorporating the glass door into a tempered glass assembly, an overpanel pivot fitting forms the top connection. In the case of doors in wall openings, a top pivot bearing is fitted to the ceiling or in the header. Load transfer from the overpanel and sidelite can be supported using a mechanical channel (page 15).

Depending on customer requirements, DORMA BEYOND offers suitable fittings for 3/8" (10 mm) and 1/2" (12 mm) glass.

Finishes for fittings and accessories (pages 13–15):

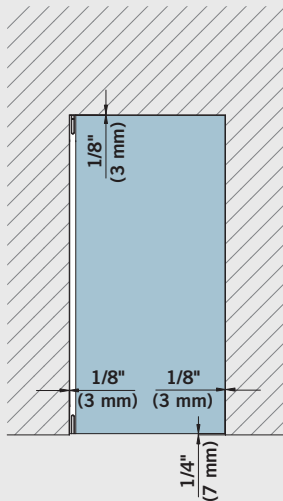
- EV1-Deco, similar to Clear Anodized (114)
- Similar to satin stainless steel (107)



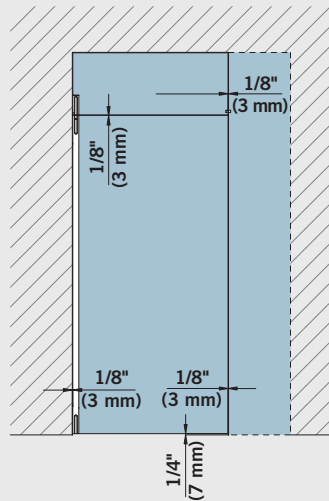
## – with continuous pivot rod

### Typical assemblies

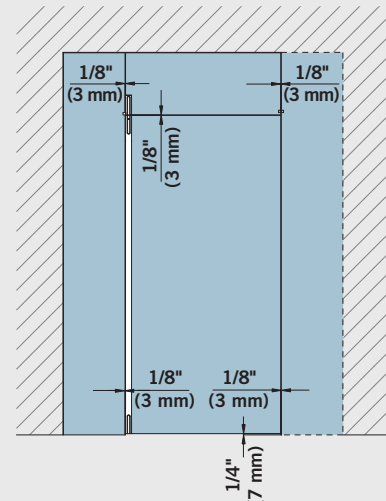
**Basic fitting for individual door.**  
For installation in masonry.



**Basic fitting and overpanel fitting wall connector for door with overpanel.**  
Optionally with sidelite on closing side.



**Basic fitting and overpanel fitting wall connector for door with overpanel and sidelite on pivot point side.**  
Optionally with sidelite on closing side.



For 3/8" (10 mm) glass

**Art. No. 830.110**

For 1/2" (12 mm) glass

**Art. No. 830.111**

**Please indicate exact door height = glass measurement with order.**

Max. door weight:

176 lb (80 kg)

Max. door width:

39-3/8" (1000 mm)

Max. door height:

86" (2185 mm)

**With overpanel**

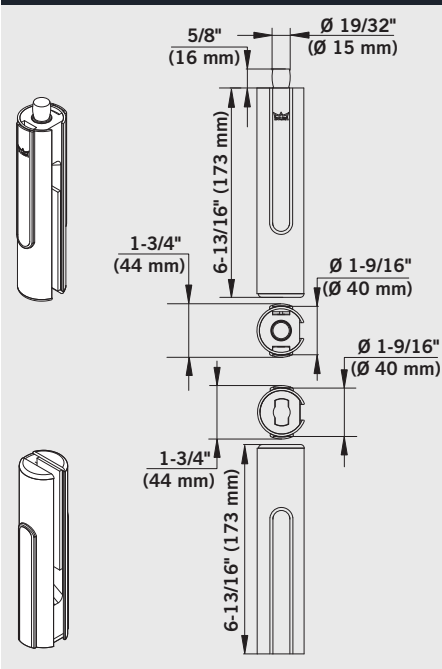
Max. overpanel width:

39-3/8" (1000 mm)

Max. overpanel height:

24" (610 mm)

Short pivot rod basic set



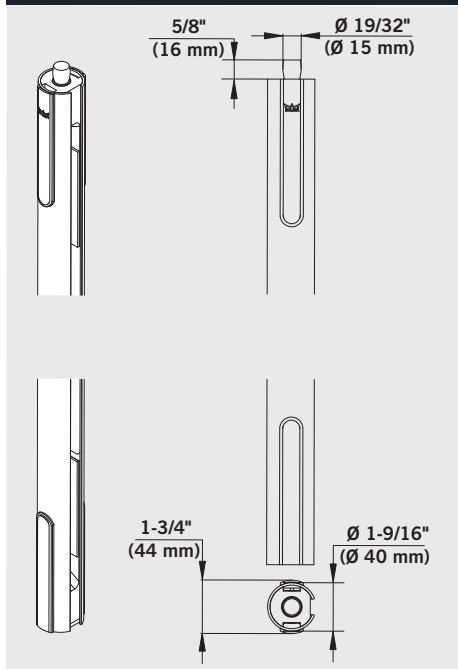
BEYOND basic set:  
Pivoting fitting set,  
short type

- Set includes:
- 1 top pivot fitting with pivot  $\varnothing 19/32"$  (15 mm)
  - 1 bottom pivot fitting with insert for DORMA floor closer spindle (90° turnable, e.g. DORMA BTS80) or round pivot.

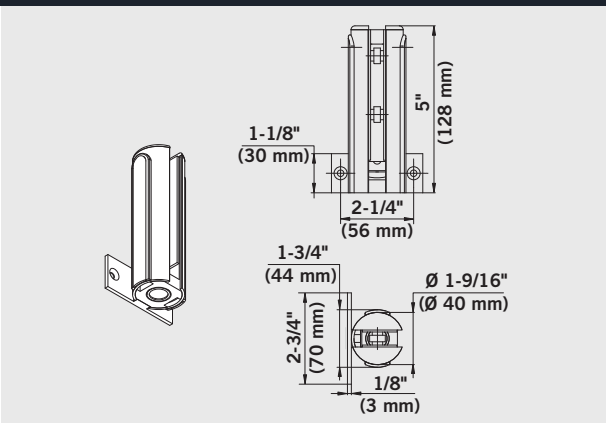
BEYOND basic fitting:  
Pivoting fitting,  
long type

with pivot  $\varnothing 19/32"$  (15 mm) at top and insert for DORMA floor closer spindle (90° turnable, e.g. DORMA BTS80) or round pivot at bottom.

Continuous pivot rod basic set

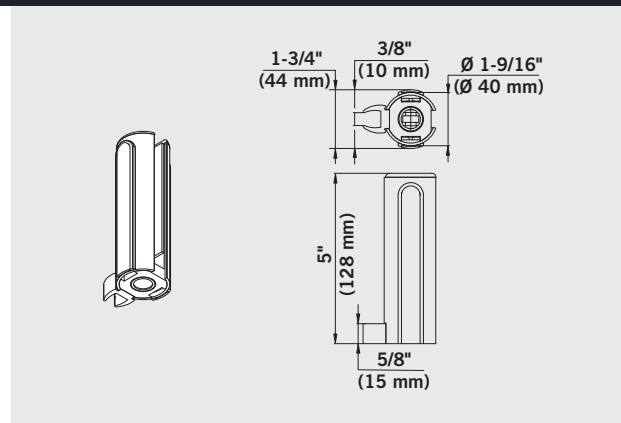


Accessories



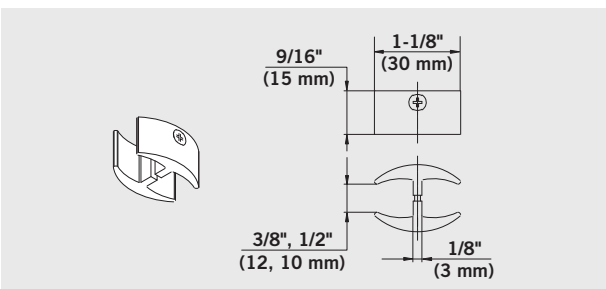
BEYOND overpanel fitting,  
wall connector  
with plastic socket  
for top pivot.

For  $3/8"$  (10 mm) glass  
Art. No. 830.120  
For  $1/2"$  (12 mm) glass  
Art. No. 830.121



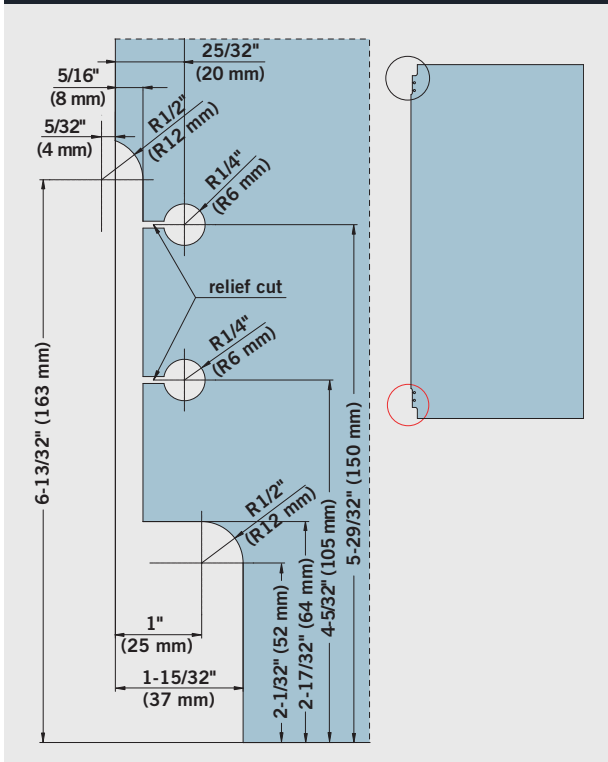
BEYOND overpanel fitting,  
glass connector  
with plastic socket  
for top pivot.

For  $3/8"$  (10 mm) glass  
Art. No. 830.130  
For  $1/2"$  (12 mm) glass  
Art. No. 830.131



BEYOND glass connector,  
plastic, black,  
for connection of side  
panel at closing side.  
For  $3/8"$  (10 mm) glass  
and  $1/2"$  (12 mm) glass  
Art. No. 830.320

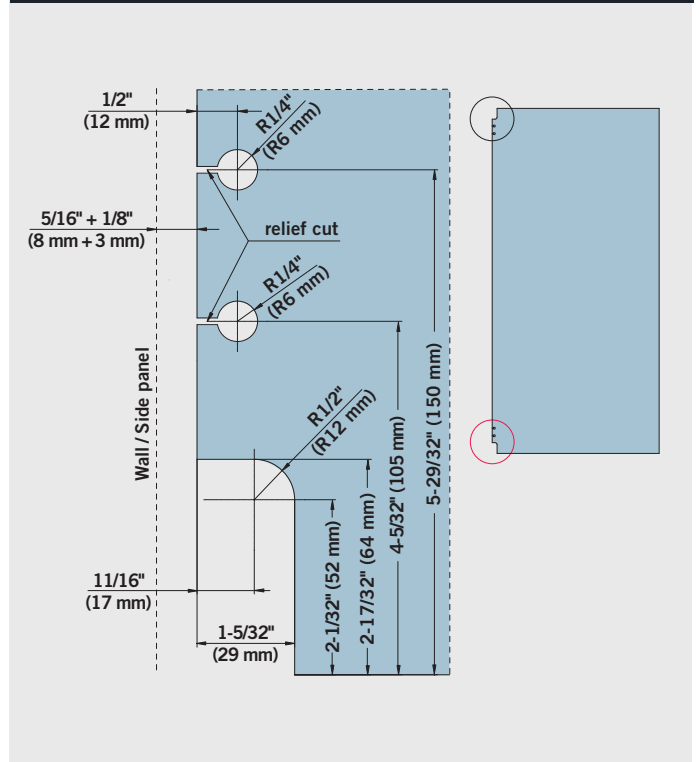
Pivoting fitting set, short type



Drawing shows bottom glass penetration. Top edge of glass is reversed accordingly.

Art. No. 830.100  
Art. No. 830.101

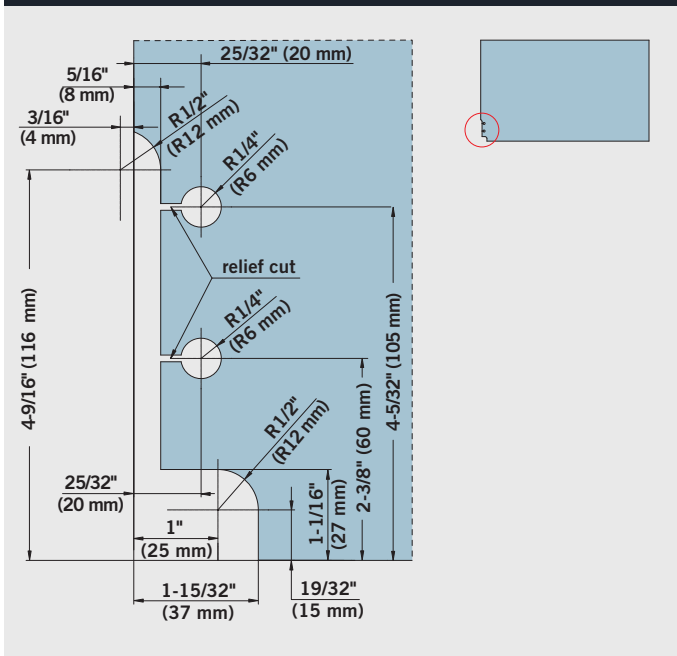
Pivoting fitting set, long type



Drawing shows bottom glass cut. Top edge of glass is reversed accordingly.

Art. No. 830.110  
Art. No. 830.111

Overpanel fitting

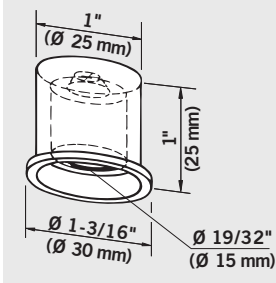


Wall connector and glass connector.

Art. No. 830.120  
Art. No. 830.121  
Art. No. 830.130  
Art. No. 830.131

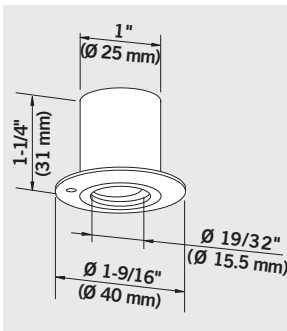
## DORMA BEYOND Accessories

### Pivot bearings



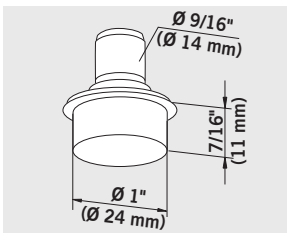
**Top pivot bearing**, aluminum, for installation in frame or ceiling for  $\varnothing$  19/32" ( $\varnothing$  15 mm) pivot pin.

**Art. No. 901.130**



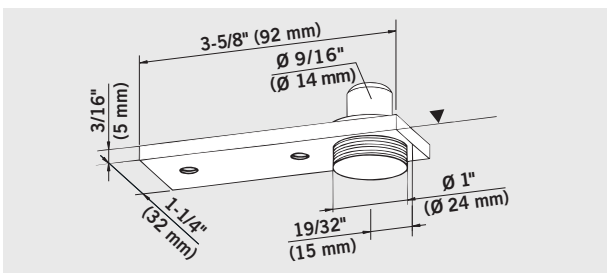
**Eccentric socket**, zinc coated brass, with adjustable plastic socket insert.

**Art. No. 905.194**



**Floor pivot bearing with round pivot**  $\varnothing$  9/16" ( $\varnothing$  14 mm), and pin  $\varnothing$  1" ( $\varnothing$  24 mm) max. door weight 220 (100 kg).

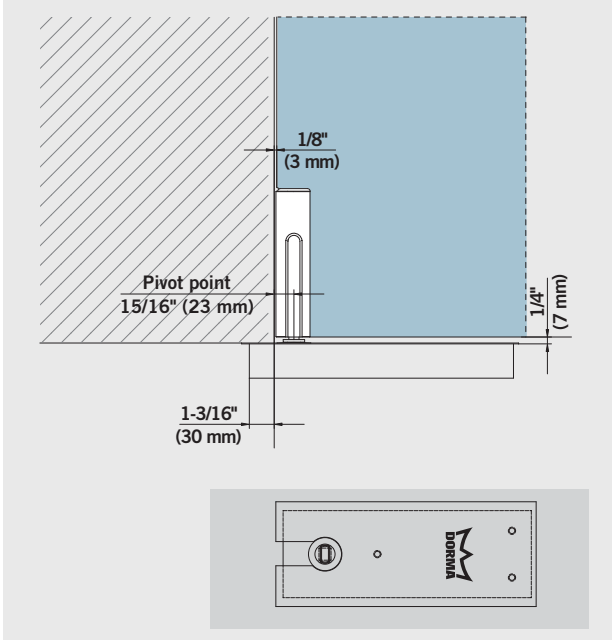
**Art. No. 901.107**



**Floor pivot bearing with round pivot**  $\varnothing$  9/16" ( $\varnothing$  14 mm), and cover plate; height adjustable by 3/16" (5 mm), max. door weight 220 lb (100 kg).

**Art. No. 901.106**

### BTS option

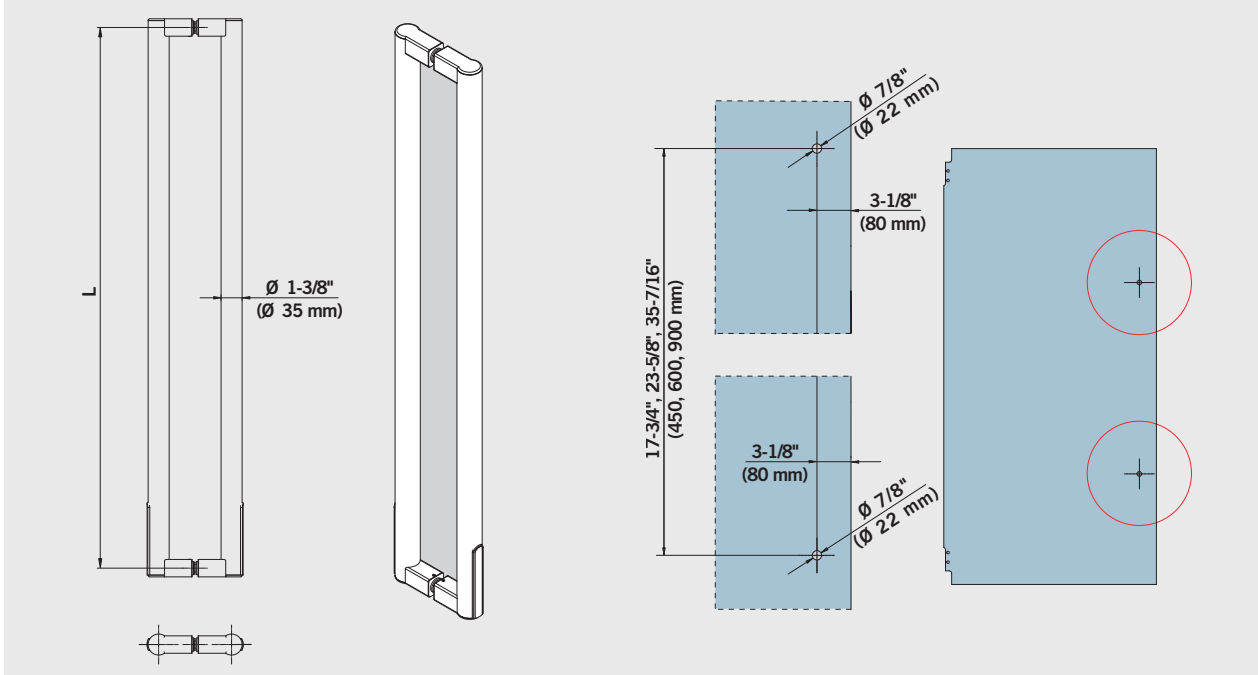


#### DORMA BTS option:

If you use a BTS closer, DORMA recommends including a glass sidelite because the pivot point position requires the closers to be buried under the adjacent wall.

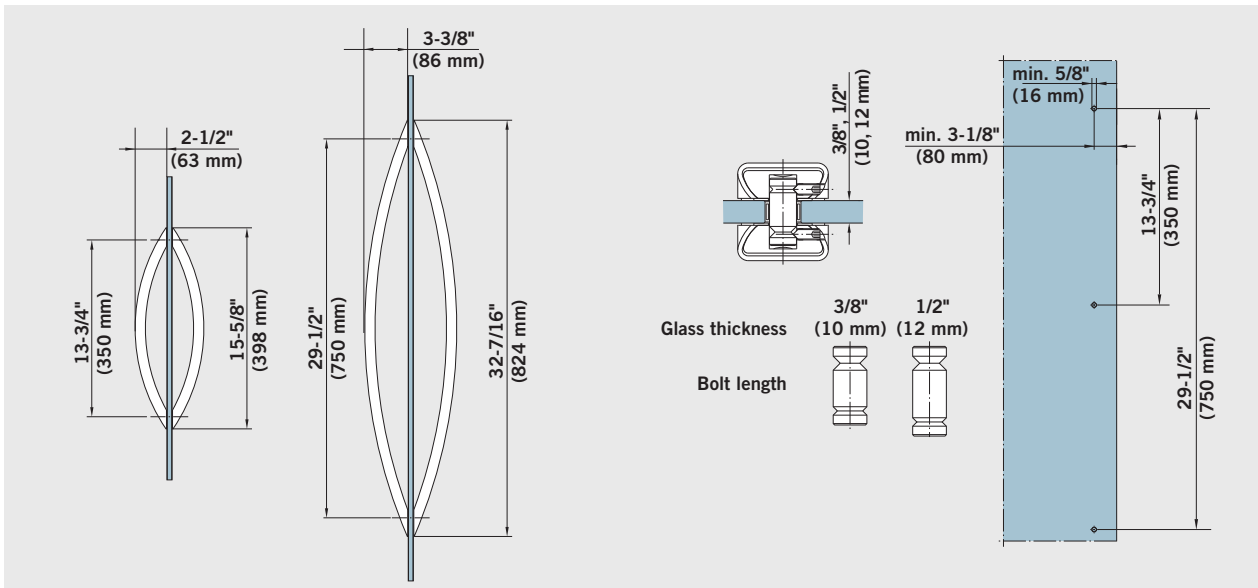


Handles



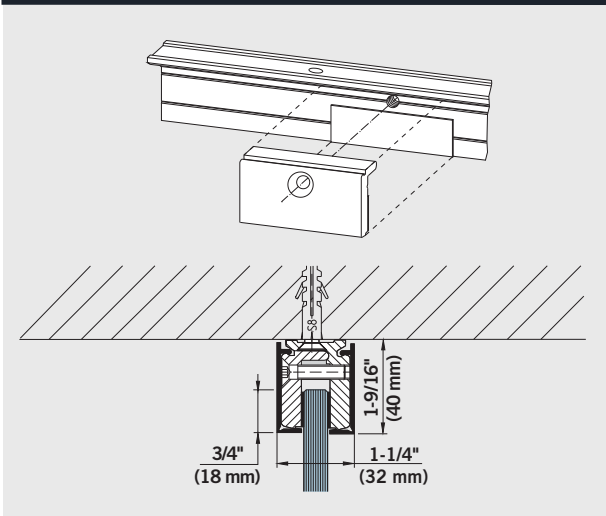
**BEYOND handle bar** for 3/8" (10 mm) and 1/2" (12 mm) glass, two-hole fixing.

Length (L)	Art. No.
17-3/4" (450 mm)	830.300
23-5/8" (600 mm)	830.305
35-7/16" (900 mm)	830.310



**ARCOS handle bar**  
Satin stainless steel,  
for 3/8" (10 mm) and  
1/2" (12 mm) glass  
thickness, two-hole fixing.

Length (L)	Art. No.
13-3/4" (350 mm)	830.500
29-1/2" (750 mm)	830.510

**Mechanical channel****Mechanical channel**

e.g., as all around frame system for tempered glass assemblies, with fittings on sides and ceiling, consisting of: base section, with tapped holes every 11-13/16" (300 mm), incl. clamping parts with screws and gasket strips.

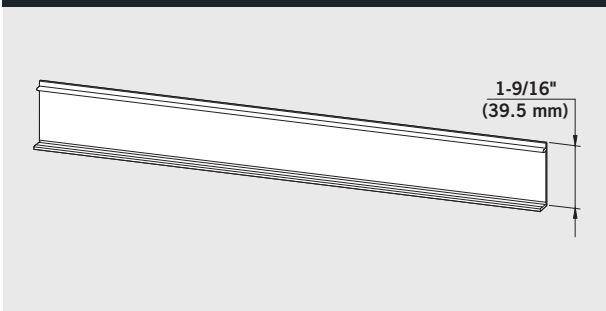
**Base profile, 118" (2997 mm) stock length**

for 3/8" (10 mm) glass

**Art. No. 907.001**

for 1/2" (12 mm) glass

**Art. No. 907.002**

**Clip on cover****Clip on cover profile**

118" (2997 mm) stock length, also available in brass, stainless steel satin, and stainless steel polished.

**Art. No. 907.003**

**Note:** For further accessories and locks see appropriate technical brochures from DORMA Glas.





DORMA Glas, Inc.  
1520 Jabez Run  
Suite 303  
Millersville, MD 21108  
Tel: 410.923.0890  
Toll Free: 800.451.0649  
Fax 410.923.3060  
E-mail: [glas@dorma-usa.com](mailto:glas@dorma-usa.com)  
[www.dorma-usa.com](http://www.dorma-usa.com)