




Concealed in
Door Closer

DORMA ITS96

DORMA's ITS96 offers the optimum solution for applications requiring concealed door controls.

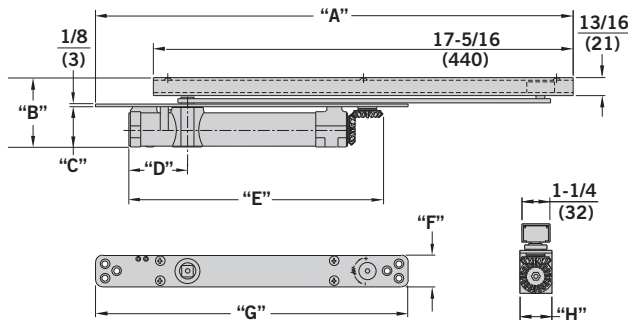
The unique cam and roller technology meets the challenge of providing the operation and features necessary in a compact design. The ITS96 is suited for virtually any door and frame combination in a variety of leaf thicknesses and configurations.

Technical Details:

- Efficient cam and roller design.
- Rapid decrease in opening force makes doors easy to open, yet provides maximum closing force at the latch.
- Non-handed.
- 9613 installs in 1-3/4" thick doors (min); 9625 installs in 2" thick doors (min).
- All ITS96 models can be inverted to install the closer body in the frame.
- Suitable for interior wood, hollow metal, and aluminum doors and frames.
- Accommodates **interior** doors up to 48" wide/175 lb (max) or **exterior** doors (9625 only) up to 36" wide/125 lb (max).
- Invisible when door is closed.
- Adjustable spring force size for 9613 is 1–3 and for 9625 is 2–5. Adjustable with unit installed.
-  Opening force 5 lb or less for ITS9613 on interior doors where door without closer attached is 1 lb opening force or less.
- Sweep and latch valve adjustment easily accessible after installation.
- Optional hold open adjustable between 80° and 120°.
- Maximum door opening approximately 130°.
- Cushioned stop position adjustable between 80°–130° (separate limiting stop required for doors in abusive conditions).
- Inverted application available. Consult factory for details.
- Accessory track brackets available for ease of installation or for frames lacking adequate reinforcement.

Certification:

The DORMA ITS9613 and ITS9625 are listed by UL and CUL under their continuing reinspection programs. Meets the requirements for UL 10C for positive pressure. California State Fire Marshall (CSFM) approved. The ITS9613 meets the requirements of ANSI/BHMA A117.1 and ADA for barrier-free accessibility.



Listings by Others:

Eggers Industries – UL 10B and UL 10C listed.
Wood door × ITS9613 20 minute type fire tested without hose stream. All must include 5" tectonite top rail.

Specification:

All closers shall be ITS96 Series concealed in the door cam and roller closers. The closers will have aluminum alloy bodies with high compression steel springs and steel cams and rollers for doors opening up to 130° maximum. The closers will have two noncritical thermostatic valves to separately control sweep and latch speeds and provide constant closing speeds even under extreme temperatures. The closers will have field adjustable spring power from size 1–3 to meet barrier-free requirements or 2–5 for exterior or larger doors. Must be capable of spring adjustment when installed in the door. Install the ITS96 closer body in the door with the track in the frame. Closers to have cushioned stop adjustable from 80°–130°.

Optional Specifications:

All ITS96 closers to have adjustable hold open from approximately 80°–120°.

All closers to have accessory track brackets for frame conditions that do not permit standard mounting or when reinforcement is not an option.

REDUCED OPENING FORCE INSTALLATIONS CAUTION:

Manual door closers, including closers certified to conform to ANSI/BHMA Standard A156.4, when installed and adjusted to conform to ADA or other reduced opening force requirements, may not provide sufficient power to reliably close and latch a door.

Refer to catalog for information on ED800 Low Energy Operator to meet reduced opening force requirements without affecting closing power.

Finishes:

Standard Sprayed Finishes (Track & Arm):

Aluminum: 689.

Optional Special Color Sprayed Finishes:

Bronze: 691 (Dull), 690 (Statuary), or 695 (Dark Duranodic).

Gold: 696.

Black: 693.

Optional DORMA Custom Color or Designer Color Finishes:

Contact Customer Service.

Optional Plated Finishes (main arm plated; track sprayed with complementing finish):

Brass: 605 (Bright) or 606 (Satin).

Bronze: 611 (Bright), 612 (Satin), or 613 (Oxidized Satin Oil Rubbed).

Nickel: 618 (Bright) or 619 (Satin).

Chrome: 625 (Bright) or 626 (Satin).

Size Selection Chart

CLOSER	"A"	"B"	"C"	"D"	"E"	"F"	"G"	"H"
ITS9613	22-15/16 (583)	3-5/32 (80)	1-11/16 (43)	2-3/4 (70)	11 (279)	1-3/8 (35)	13-3/8 (340)	1-1/4 (32)
	23-1/32 (585)	3-17/32 (90)	2-1/16 (52)	2-7/8 (73)	11-17/32 (293)	1-5/8 (41)	13-15/16 (354)	1-9/16 (40)

Technical Drawing Symbols and Notes

- – Recommended application.
- ♿ – Opening force 5 lb or less (9613 only) on interior doors 3'-0" wide.

1. These technical drawings are not intended to be used to prepare the door and/or frame. Use installation templates for that purpose.
2. Although DORMA ITS96 Series closers have adjustable spring power to compensate for site conditions, it cannot be guaranteed that adequate closing force will be obtained while complying with barrier-free opening force restrictions.

ITS96 Wood Door and Frame

♿ of Hinge or Offset Pivot* *Offset top pivots may conflict with closer and track. Substitute the top pivot with an intermediate pivot.

Size Selection Chart

		INTERIOR DOOR WIDTH				
CLOSER		2'-0" min	2'-6"	3'-0"	3'-6"	4'-0"
ITS9613	INTERIOR	•	•	♿	-	-
	EXTERIOR	-	-	-	-	-
ITS9625	INTERIOR	-	•	•	•	•
	EXTERIOR	-	•	•	•	-

CLOSER	"A"	"B"	"C"	"D"
ITS9613	4-1/8 (105)	11 (279)	2-5/16 (59)	1-1/4 (32)
ITS9625	4 (102)	11-17-32 (293)	2-9/16 (68)	1-9/16 (40)

MAXIMUM OPENING	HOLD OPEN RANGE (OPTIONAL)
130°	80°-120°

NOTE: ITS9613 closers are not recommended for doors over 3'-0" wide and 125 lb.

ITS96 Metal Door and Frame

♿ of Hinge or Offset Pivot* *Offset top pivots may conflict with closer and track. Substitute the top pivot with an intermediate pivot.

Size Selection Chart

		INTERIOR DOOR WIDTH				
CLOSER		2'-0" min	2'-6"	3'-0"	3'-6"	4'-0"
ITS9613	INTERIOR	•	•	♿	-	-
	EXTERIOR	-	-	-	-	-
ITS9625	INTERIOR	-	•	•	•	•
	EXTERIOR	-	•	•	•	-

CLOSER	"A"	"B"	"C"	"D"
ITS9613	4-1/8 (105)	11 (279)	2-5/16 (59)	1-1/4 (32)
ITS9625	4 (102)	11-17-32 (293)	2-9/16 (68)	1-9/16 (40)

MAXIMUM OPENING	HOLD OPEN RANGE (OPTIONAL)
130°	80°-120°

NOTE: ITS9613 closers are not recommended for doors over 3'-0" wide and 125 lb.

ITS96 Wood Door and Frame x 08082820 Accessory Track Brackets

ϕ of Hinge or Offset Pivot* *Offset top pivots may conflict with closer and track. Substitute the top pivot with an intermediate pivot.

5-1/32 (128) 18-21/32 (474)

13/16 (21) 1-1/4 (32)

1/8 (3) 5/8 (16) min.

"A" "B"

6-7/8 (175)

1/8 (3)

Size Selection Chart

CLOSER		INTERIOR DOOR WIDTH				
		2'-0" min	2'-6"	3'-0"	3'-6"	4'-0"
ITS9613	INTERIOR	•	•	♿	-	-
	EXTERIOR	-	•	•	•	•
ITS9625	INTERIOR	-	•	•	•	•
	EXTERIOR	-	•	•	•	-

08082820 Track Brackets
 Track mounting brackets for wood frames. Used when frame conditions prohibit standard mounting of track (two per unit).

CLOSER	"A"	"B"	"C"	"D"
ITS9613	4-1/8 (105)	11 (279)	2-5/16 (59)	1-1/4 (32)
ITS9625	4 (102)	11-17/32 (293)	2-9/16 (68)	1-9/16 (40)

NOTE: ITS9613 closers are not recommended for doors over 3'-0" wide and 125 lb.

MAXIMUM OPENING: 130°
 HOLD OPEN RANGE (OPTIONAL): 80°-120°

ITS96 Metal Door and Frame x 08082810 Accessory Track Brackets

ϕ of Hinge or Offset Pivot* *Offset top pivots may conflict with closer and track. Substitute the top pivot with an intermediate pivot.

5-11/32 (136) 18-1/32 (458)

13/16 (21) 1-1/4 (32)

1/8 (3) 5/8 (16) min.

"A" "B"

6-7/8 (175)

Size Selection Chart

CLOSER		INTERIOR DOOR WIDTH				
		2'-0" min	2'-6"	3'-0"	3'-6"	4'-0"
ITS9613	INTERIOR	•	•	♿	-	-
	EXTERIOR	-	•	•	•	•
ITS9625	INTERIOR	-	•	•	•	•
	EXTERIOR	-	•	•	•	-

08082810 Track Brackets
 Track mounting brackets for ease of installation or for frames lacking adequate reinforcement (two per unit).

CLOSER	"A"	"B"	"C"	"D"
ITS9613	4-1/8 (105)	11 (279)	2-5/16 (59)	1-1/4 (32)
ITS9625	4 (102)	11-17/32 (293)	2-9/16 (68)	1-9/16 (40)

NOTE: ITS9613 closers are not recommended for doors over 3'-0" wide and 125 lb.

MAXIMUM OPENING: 130°
 HOLD OPEN RANGE (OPTIONAL): 80°-120°

Note: These technical drawings are not intended to be used to prepare the door and/or frame. Use installation templates for that purpose.

DORMA Americas
www.dorma-usa.com

DORMA Architectural Hardware
 DORMA Drive, Drawer AC
 Reamstown, PA 17567-0411
 Telephone: (800) 523-8483
 Facsimile: (800) 274-9724
 E-mail: archdw@dorma-usa.com

DORMA Canada
 1680 Courtney Park Drive, Unit 13
 Mississauga, Ontario L5T 1R4
 Telephone: (800) 387-4938
 Facsimile: (905) 670-5850
 E-mail: sales@dormacanada.com

DORMA Mexico, S. de R.L. de C.V.
 Astrónomos 28, Col. Escandón
 México, D.F. 11800
 Del. Miguel Hidalgo
 Telephone: (52+55) 5272-6937
 Facsimile: (52+55) 5272-6948
 E-mail: operacion@dorma.com.mx