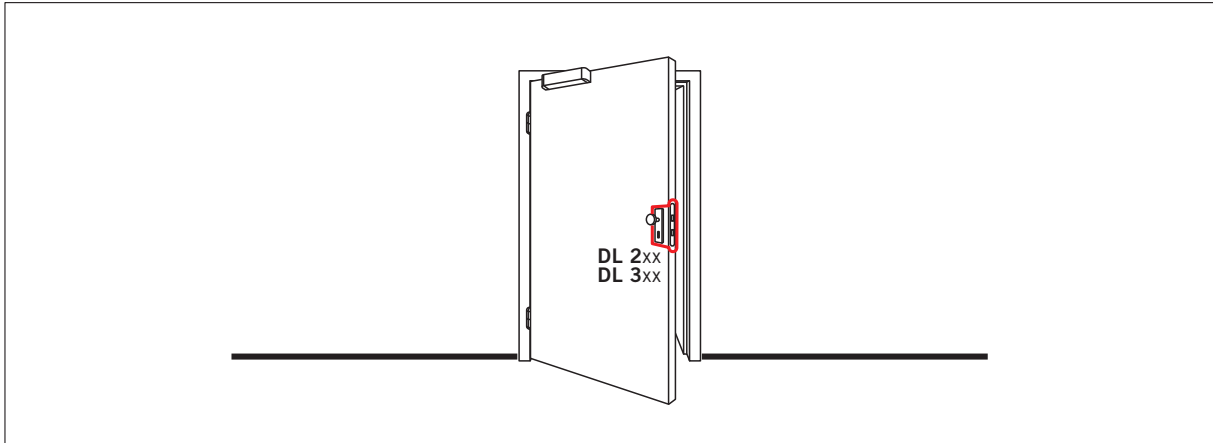


WN 060xxx-45532, 03/21



CE	dormakaba Deutschland GmbH DORMA Platz 1 - 58256 Ennepetal	18															
	0432-CPR-00026-98																
DL 295 DL 296 DL 297	EN 179: 2008	3	7	6	B	1	4	4	2	A	B/D						
DOP_0168																	

CE	dormakaba Deutschland GmbH DORMA Platz 1 - 58256 Ennepetal	18															
	0432-CPR-00026-98																
DL 395 DL 396 DL 397	EN 179: 2008	3	7	6	B	1	4	5	2	A	B/D						
DOP_0168																	

CE	dormakaba Deutschland GmbH DORMA Platz 1 - 58256 Ennepetal	18															
	0432-CPR-00026-98																
DL 295 TYP D	EN 179: 2008	3	7	6	B	1	4	4	2	A	D						
DOP_0168																	

CE	dormakaba Deutschland GmbH DORMA Platz 1 - 58256 Ennepetal	18															
	0432-CPR-00026-99																
DL 395 TYP D	EN 179: 2008	3	7	6	B	1	4	5	2	A	D						
DOP_0168																	

CE	dormakaba Deutschland GmbH DORMA Platz 1 - 58256 Ennepetal	18																
	0432-CPR-00026-98																	
DL 281 DL 282 DL 288*	EN 12209: 2003/ AC:2005	2	S	8	1	0	G	3	H	C	2	0						
DOP_0169																		

CE	dormakaba Deutschland GmbH DORMA Platz 1 - 58256 Ennepetal	18																
	0432-CPR-00026-99																	
DL 285 DL 286	EN 12209: 2003/ AC:2005	2	S	8	1	0	G	3	H	G	2	0						
DOP_0169																		

CE	dormakaba Deutschland GmbH DORMA Platz 1 - 58256 Ennepetal	18																
	0432-CPR-00026-98																	
DL 289 DL 290	EN 12209: 2003/ AC:2005	2	S	8	1	0	G	-	H	0	2	0						
DOP_0169																		

CE	dormakaba Deutschland GmbH DORMA Platz 1 - 58256 Ennepetal	18																
	0432-CPR-00026-99																	
DL 295 DL 296 DL 297	EN 12209: 2003/ AC:2005	2	S	8	1	0	G	3	H	C	2	0						
DOP_0169																		

CE	dormakaba Deutschland GmbH DORMA Platz 1 - 58256 Ennepetal	18																
	0432-CPR-00026-98																	
DL 381 DL 382	EN 12209: 2003/ AC:2005	3	X	8	1	0	G	6	H	C	2	0						
DOP_0169																		

CE	dormakaba Deutschland GmbH DORMA Platz 1 - 58256 Ennepetal	18																
	0432-CPR-00026-99																	
DL 385 DL 386 DL 388*	EN 12209: 2003/ AC:2005	3	X	8	1	0	G	6	H	G	2	0						
DOP_0169																		

CE	dormakaba Deutschland GmbH DORMA Platz 1 - 58256 Ennepetal	18																
	0432-CPR-00026-98																	
DL 389	EN 12209: 2003/ AC:2005	3	X	8	1	0	G	-	H	0	2	0						
DOP_0169																		

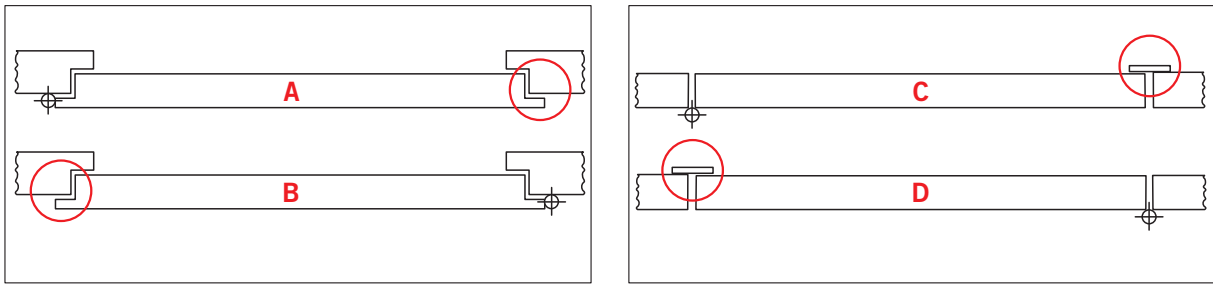
CE	dormakaba Deutschland GmbH DORMA Platz 1 - 58256 Ennepetal	18																
	0432-CPR-00026-99																	
DL 391 DL 395 DL 396 DL 397	EN 12209: 2003/ AC:2005	3	X	8	1	0	G	6	H	C	2	0						
DOP_0169																		

CE	dormakaba Deutschland GmbH DORMA Platz 1 - 58256 Ennepetal	18																
	0432-CPR-00026-98																	
DL 392 DL 393	EN 12209: 2003/ AC:2005	3	X	8	1	0	G	3	H	C	2	0						
DOP_0169																		

Please refer to CERTIFIRE certification CF5919 & CF267 for scope of use on fire doors

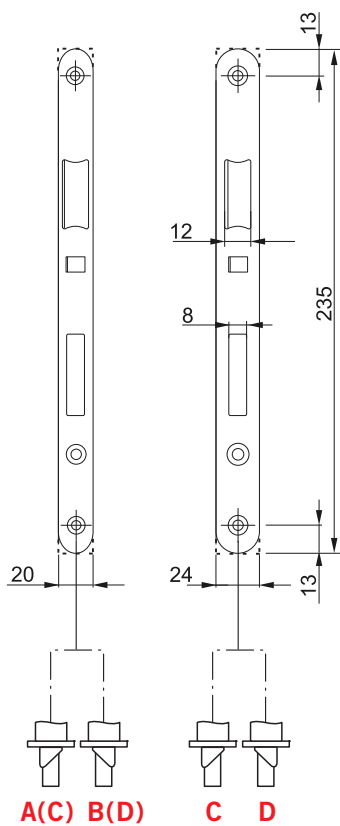
DL 2xx/DL 3xx

Montageanleitung / Mounting Instructions

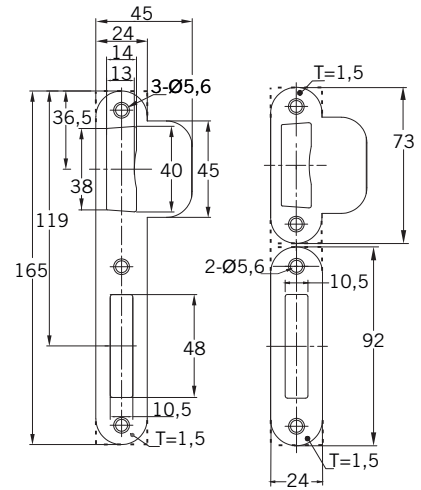
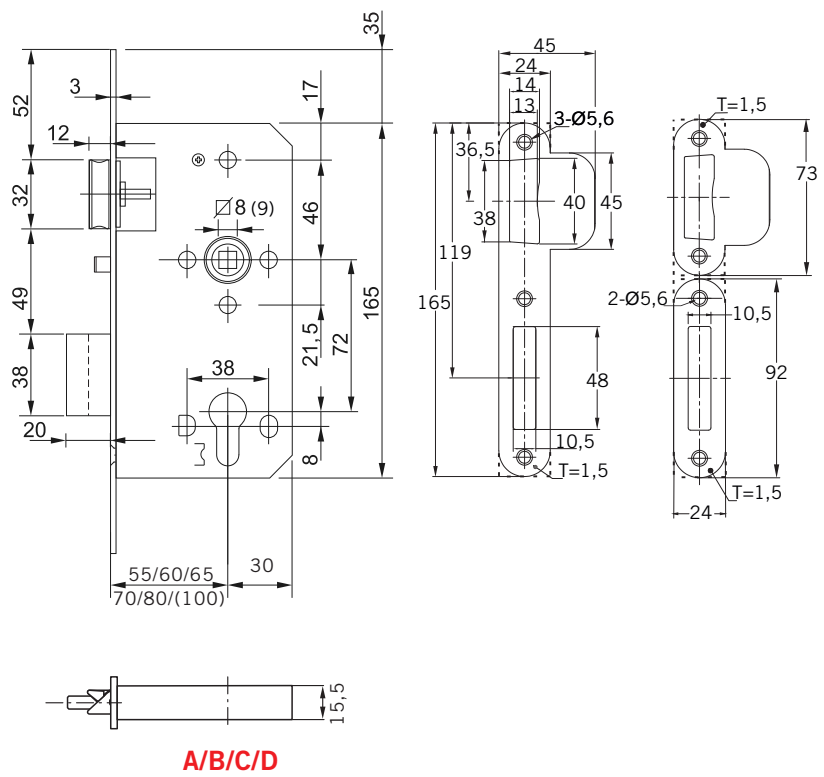


Beispiel / Example:

Einsteckschloss / Mortise lock

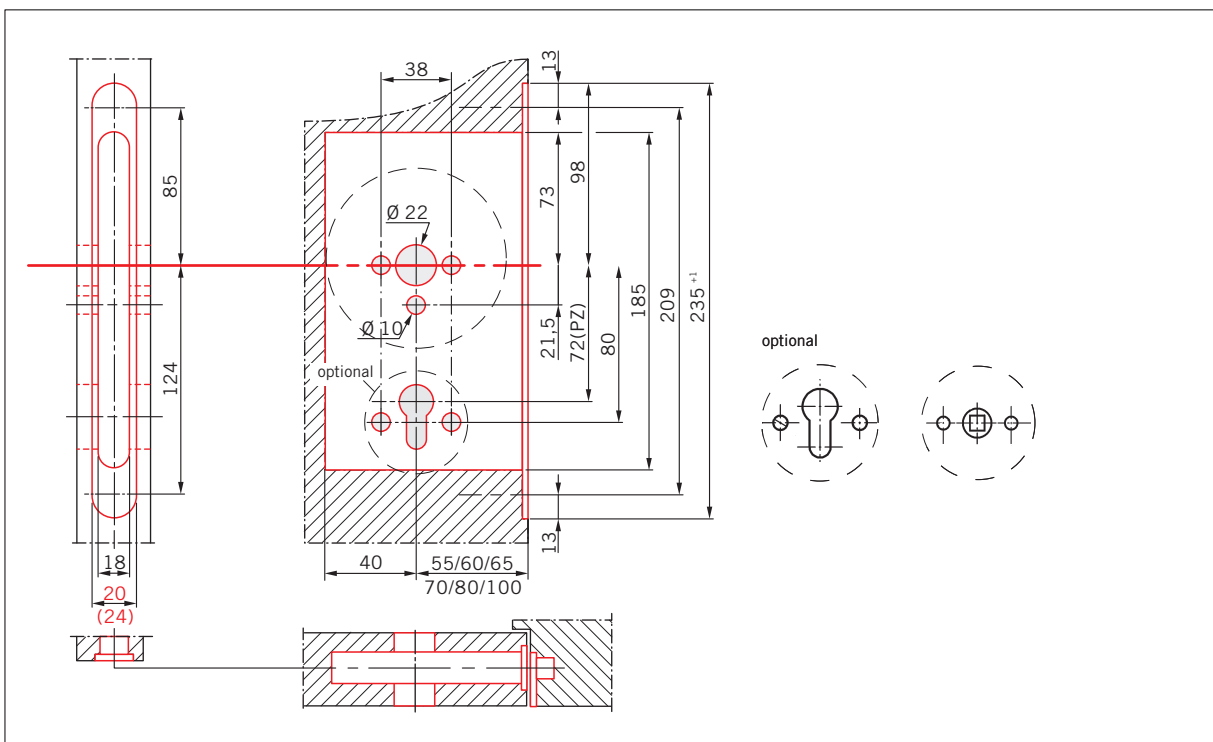
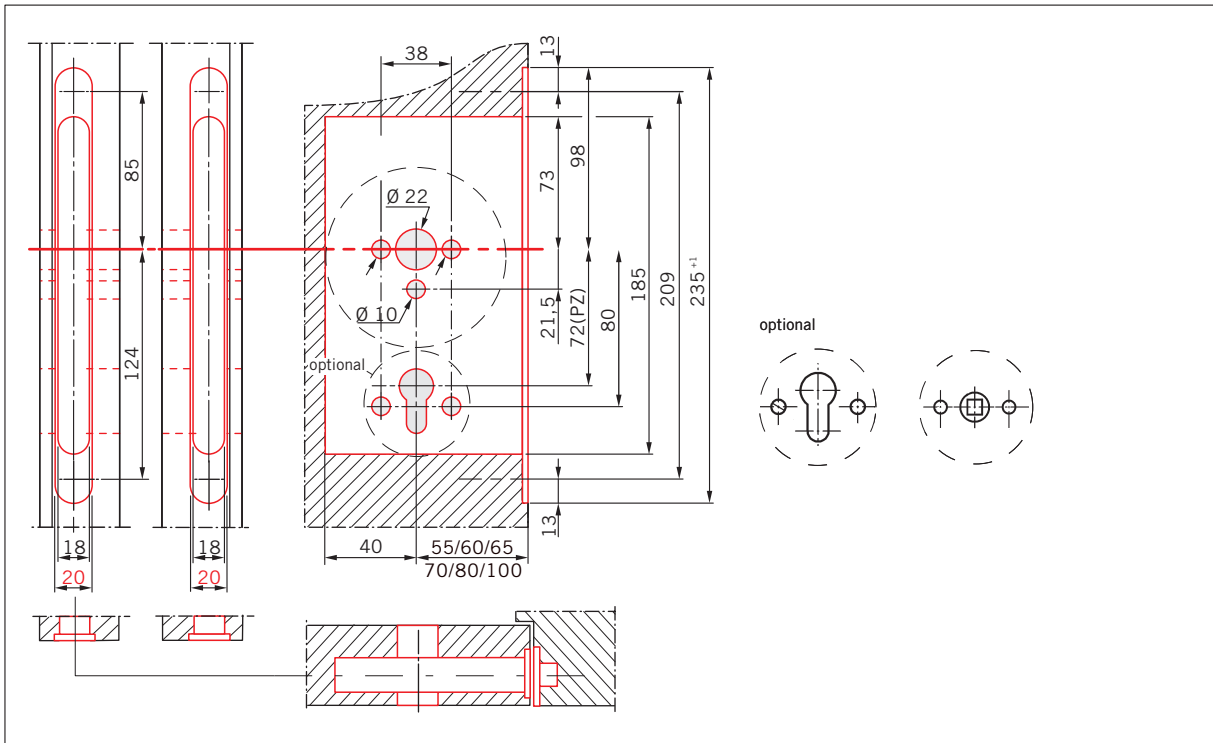
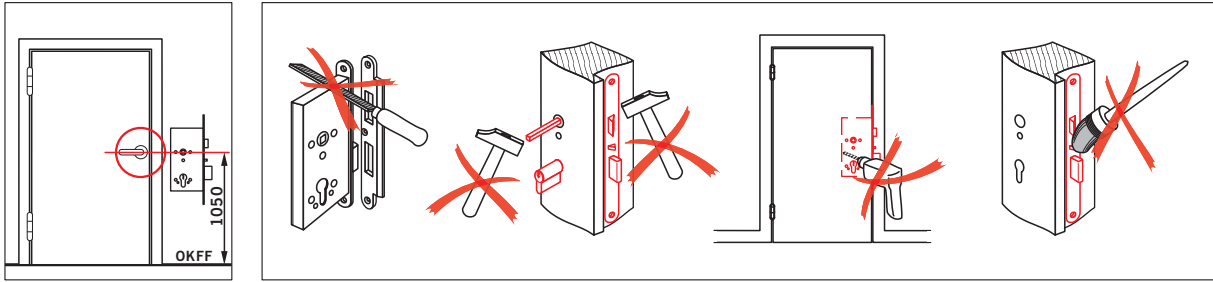


Schliesbleche / Strike plates



DL 2xx/DL 3xx

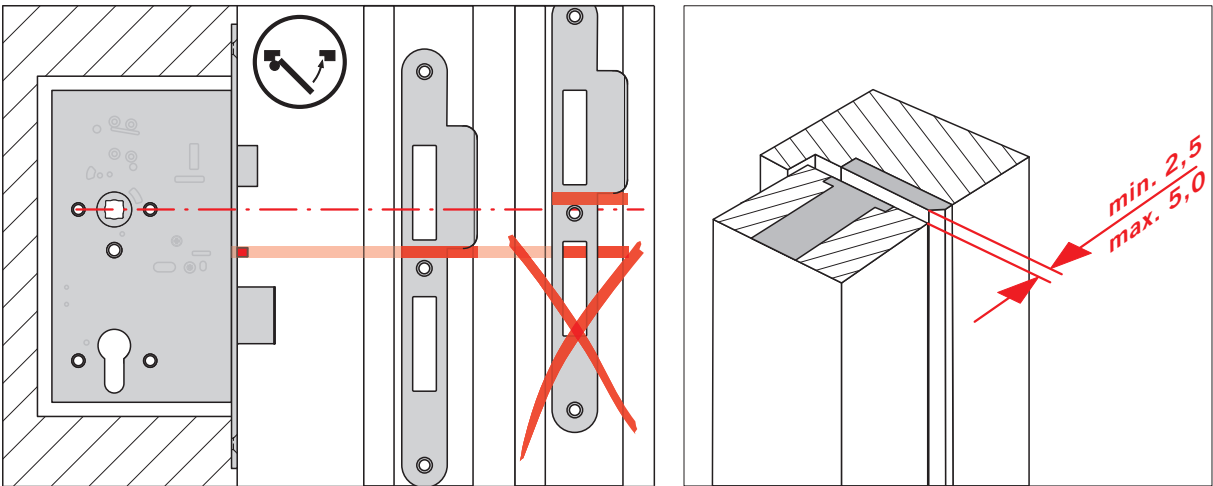
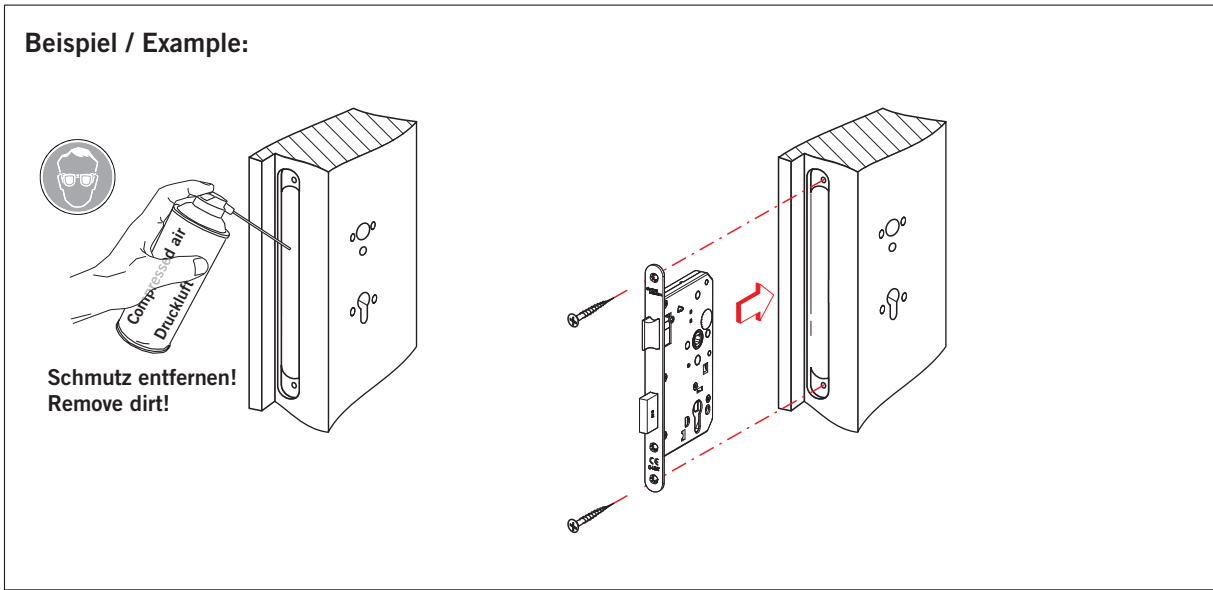
Montageanleitung / Mounting Instructions



DL 2xx/DL 3xx


Montageanleitung / Mounting Instructions


Beispiel / Example:



Important notices

General

 **Application restrictions:**
Door deformation may not be more than max. 5 mm.
In the case of larger degrees of door deformation, safe exit must be ensured by testing the door in question together with the hardware item.

 **Strike plates:**
The use of strike plates (lap closer plate or flanged strike plate) is required for the correct installation.

Emergency exit devices EN 179

The safety features of this product are key to its ability to satisfy EN 179. It must not be modified in any way whatsoever, other than as described in these instructions.

Only approved lock/lever handle combinations in accordance with EN 179 may be installed!
A list of all the components that are approved for use in conjunction with this lock, and which may be separately packed, can be viewed at: www.dormakaba.com.
Other combinations on request.

Installation and fixing instructions








Before fitting a mortice lock to a fire/smoke resisting door, the fire certification of the fire door assembly on which the lock has been tested to prove suitability for use on a fire door should be examined. Please refer to Certifire CF5919 & CF 267 for more detailed information and use of intumescent kits

Care should be taken to ensure that any seals or weather-stripping fitted to the complete door assembly (e.g. profile seal, floor seal), do not inhibit the correct operation of the locks.

The operating element should normally be installed at a height of between 900 mm and 1100 mm from the finished floor level, when the door is in the closed position. Where it is known that the majority of the occupants of the premises will be young children, consideration should be given to reducing the height of the operating element.

Maintenance instructions

To ensure performance in accordance with this document, undertake the following routine maintenance checks at intervals of at least once a month:

-  Perform an inspection and check operation of the emergency exit device in order to ensure that all the components of the lock are in satisfactory working condition.
-  Ensure that the blocking elements have not seized or are otherwise blocked.
-  Using a force gauge, measure and record the operating forces ($EN\ 179 \leq 70\ N$) to release the exit device. Check that the operating forces have not changed significantly from the operating forces recorded when originally installed.
-  Lubricate all contact surfaces.
-  Check that no additional locking devices have been added to the door since its original installation.