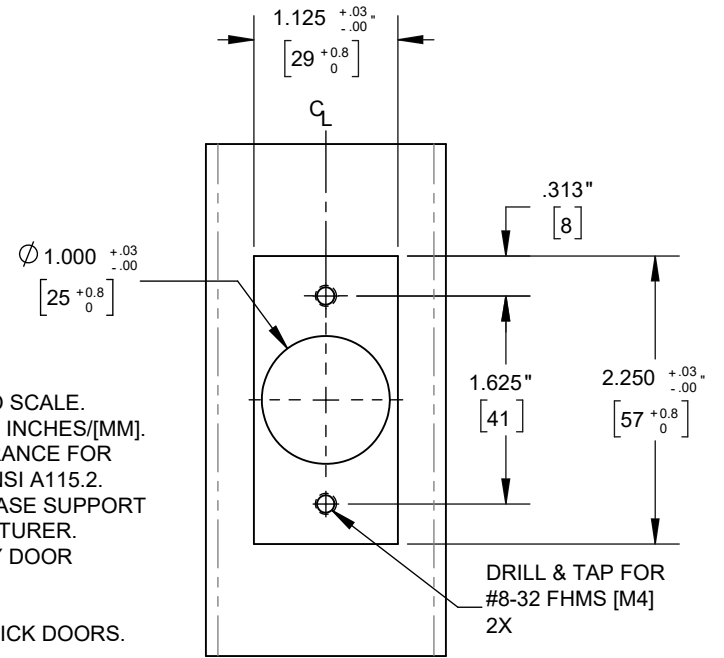


NOTES:

1. DRAWING IS NOT TO SCALE.
2. DIMENSIONS ARE IN INCHES/[MM].
3. ALLOW PLUS TOLERANCE FOR CLEARANCE PER ANSI A115.2.
4. LOCK AND LATCH CASE SUPPORT BY DOOR MANUFACTURER.
5. PLASTER GUARD BY DOOR MANUFACTURER.
6. FOR USE WITH 1-3/8" [35] - 2" [50] THICK DOORS.



NOT TO SCALE. MEASUREMENTS ARE FOR REFERENCE ONLY. NOT A DRILLING TEMPLATE.

METAL DOOR FOR:
C200 SERIES WITH 2-3/8" BACKSET
FACE PLATE 1-1/8" FLAT

