

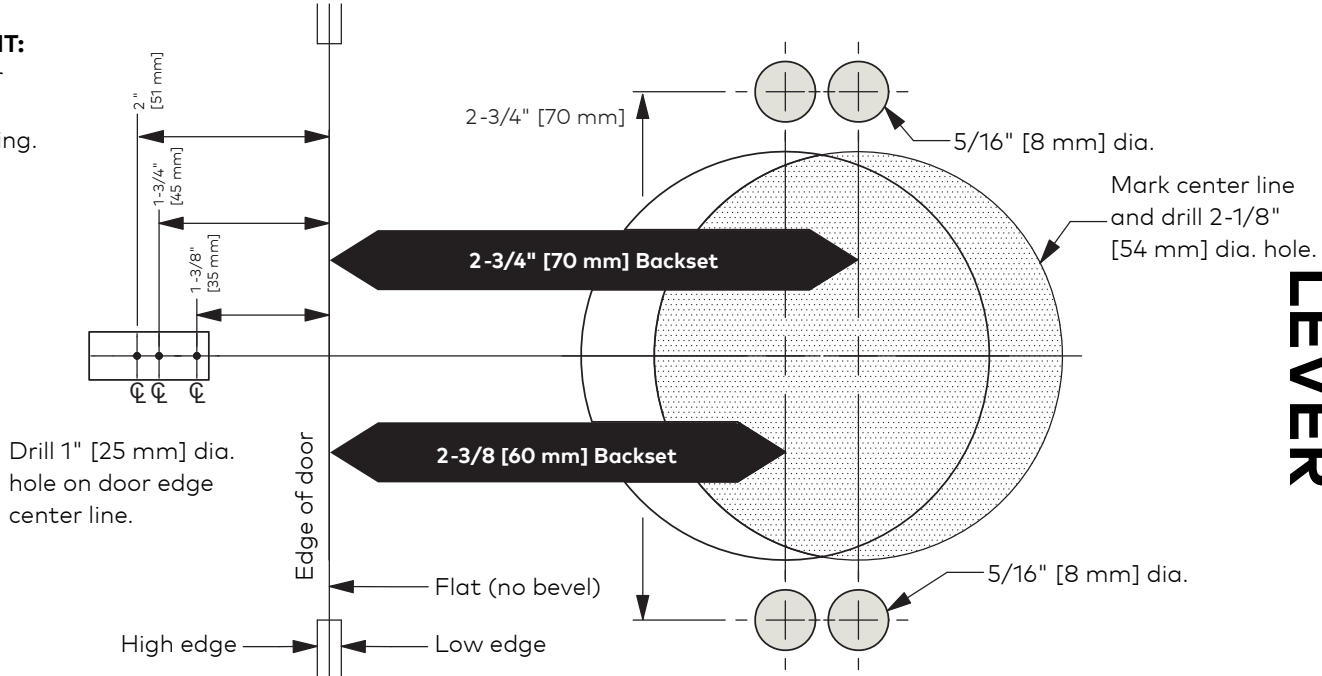
Template: C200 lever for wood or metal doors

For online instructions, assistance or warranty information:
Call 1-800-392-5209 or visit <https://dhwsupport.dormakaba.com/hc/en-us>

IMPORTANT:

Check door
thickness
before drilling.

LEVER



LEVER

Template to scale 1 : 1, full size.