

# Installation Instructions

## C100 1DT and 2DT dummy trim assemblies

### 1 Technical specifications

#### 1.1 Tools recommended

Table 1

#2 & #3 Phillips screwdriver	Spanner wrench	Pencil	Drill bit: 1/16" (1.5 mm) drill bit
Tape measure	Lever keeper tool	Drill	

### 2 Installation instructions

#### 2.1 Overview

Fig.1 C100 single dummy trim

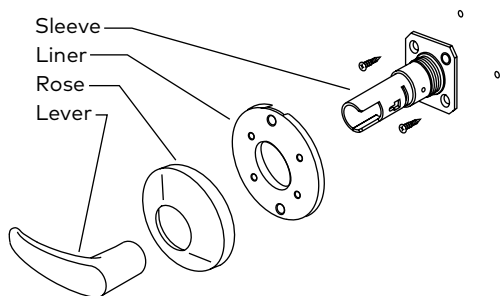
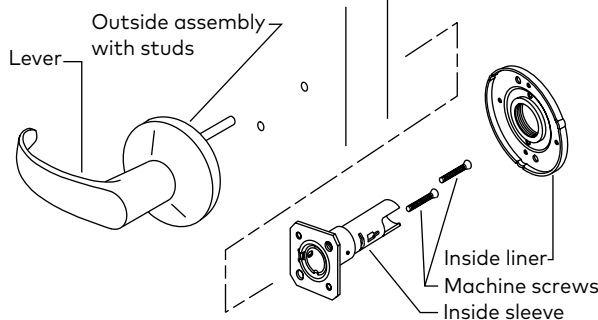


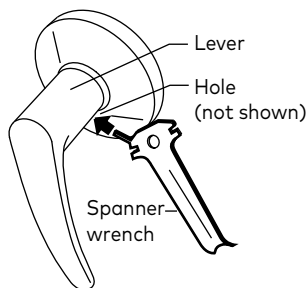
Fig.2 C100 double dummy trim



#### 2.2 Disassemble dummy trim.

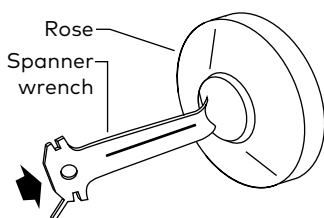
Fig.3

**NOTE: For C100 double dummy trim, disassemble the inside trim assembly only. There is no need to disassemble the outside trim.**



- 2.2.1 Disengage the lever by pushing the pointed end of the spanner wrench into the hole on the lever.
- 2.2.2 Slide the lever off.
- 2.2.3 Unscrew the rose from the sleeve.

Fig.4



- 2.2.4 Using the spanner wrench, pry the rose from the liner.

#### 2.3 Mark and drill holes.

- 2.3.1 Draw a height line across the face of the door. The suggested height is 40-5/16" (1023 mm) from the finished floor.

**NOTE: For pairs of doors, install the dummy trim at the same height and backset distance from the edge of the door to the center of the lock trim on both the active and inactive doors.**

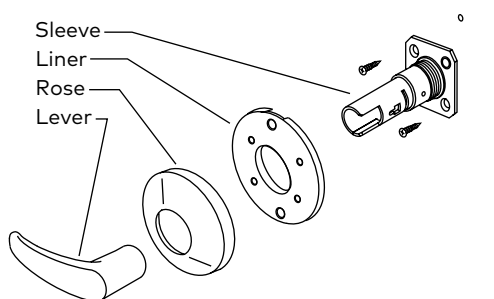
- 2.3.2 Place the template on the door.
- 2.3.3 Mark and drill the two holes.

**NOTE: For single dummy trim, drill two pilot holes halfway through the door with a 1/16" (1.5 mm) drill bit. For double dummy trim, drill two holes completely through the door with a 9/32" (7 mm) drill bit.**

#### 2.4 Install dummy trim.

Fig.5

**For C100 single dummy trim**



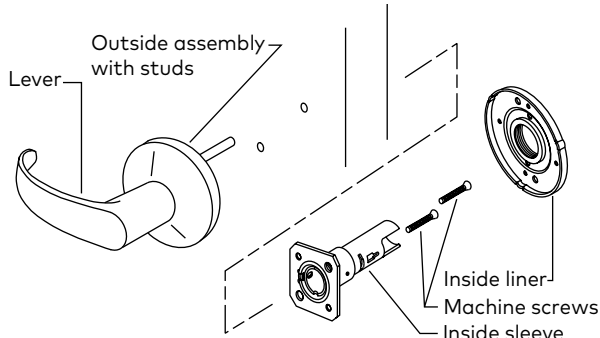
- 2.4.1 Fasten the sleeve onto the door with the screws provided.
- 2.4.2 Thread on the liner until it seats against the door.

**NOTE: Slide the liner onto the sleeve in the opposite way from the normal installation.**

- 2.4.3 Press the rose over the liner until it fits flush against the door.
- 2.4.4 Press on the lever.

Fig.6

**For C100 double dummy trim**



- 2.4.1 Install the outside trim assembly with studs on the outside of the door.
- 2.4.2 Align the inside sleeve and secure using the screws provided.
- 2.4.3 Thread on the inside liner until it seats against the door.

**NOTE: Slide the liner onto the sleeve in the opposite way from the normal installation.**

- 2.4.4 Press on the rose over the liner assembly.
- 2.4.5 Press on the inside lever.

# Installation Instructions

## C200 1DT dummy trim assemblies

### 1 Technical specifications

#### 1.1 Tools recommended

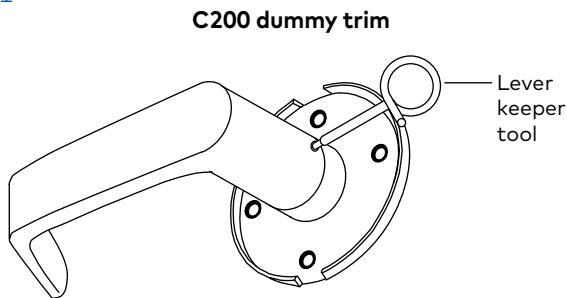
Table 1

#2 & #3 Phillips screwdriver	Spanner wrench	Pencil	Drill bit: 1/16" (1.5 mm) drill bit
Tape measure	Lever keeper tool	Drill	

### 2 Installation instructions

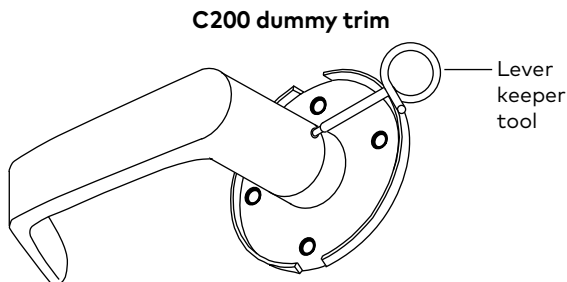
#### 2.1 Overview

Fig.1



#### 2.2 Disassemble dummy trim.

Fig.2



- 2.2.1 Disengage the lever by pushing the lever keeper tool into the hole on the lever.
- 2.2.2 Slide the lever off of the sleeve.

#### 2.3 Mark and drill holes.

- 2.3.1 Draw a height line across the face of the door. The suggested height is 40-5/16" (1024 mm) from the finished floor.

**NOTE: For pairs of doors, install the dummy trim at the same height and backset distance from the edge of the door to the center of the lock trim on both the active and inactive doors.**

- 2.3.2 Place the template on the door.
- 2.3.3 Mark the top and bottom holes.
- 2.3.4 Drill the two holes.

**NOTE: C200 dummy trim is available only as single dummy trim. For applications where C200 dummy trim is needed on both sides of the door, use two single dummy trim units.**

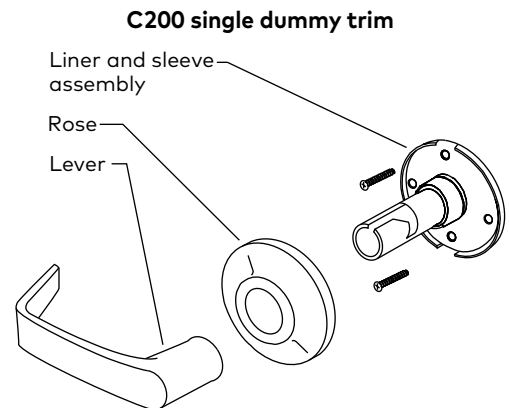
**NOTE: For single dummy trim, drill pilot holes using a 1/16" (1.5 mm) drill bit.**



For online instructions visit:  
<https://dhwsupport.dormakaba.com/hc/en-us>  
 For assistance or warranty information:  
 Call 1-800-392-5209 or visit  
<https://dhwsupport.dormakaba.com/hc/en-us>

#### 2.4 Install dummy trim.

Fig.3



- 2.4.1 Fasten the liner and sleeve assembly onto the door with the screws provided.
- 2.4.2 Press the rose over the liner until it fits flush against the door.
- 2.4.3 Press on the lever.