

# E-Plex Electronic Narrow Stile Lock

## 3700 Series



E-Plex 3700  
Electronic wireless  
lock

E-Plex 3000  
Electronic offline lock

E-Plex series of locks creates a range of access control solutions. They are ideal for cost effective access control or augmenting an existing access control system allowing you to utilize existing credentials and infrastructure.

Quick and easy to install and maintain, the E-Plex 3700 Series can function in both wireless or offline modes using dormakaba's Keyscan Aurora or Keyscan LUNA Access Control software platforms.

The complementary Keyscan LUNA Access Management Software platform is recommended for small offline only installations that are ideal for small business.

The E-Plex 3700 model supports 125kHz standard security "prox" credential formats and PIN codes.

Also available in standard model (E-Plex 5700)

## Features & Benefits

### Programming

Locks are programmed using:

- dormakaba's Keyscan Aurora Access Control software platform in both wireless or offline modes (requires M-Unit handheld)
- The complementary Keyscan LUNA Access Management Software platform is recommended for small offline only installations that are ideal for small business. (requires M-Unit handheld)
- E-Plex Enterprise Software provides easy management of doors and users. Upgradeable to wireless. (wireless not available on locks purchased prior to Oct. 2011)
- Or by keypad with LearnLok feature (300 available PIN codes)

### Number of Users

- Keyscan Aurora: Up to 45,000
- Keyscan LUNA: Up to 10,000
- E-Plex Enterprise: Up to 3,000
- Stand-alone: Up to 300 access codes (LearnLok™)

### Scheduling

- Up to 16 different access schedules may be programmed into reader.

### Ease of Installation

- No wire to or through the door

### Audit Capability

- Up to 30,000 events with optional software

### Operation Modes

- Access (via Credential)
- Lockout
- Passage—can be toggled on/off or pre-programmed to re-lock manually or via software
- Scheduled Access

### Authority Levels

Six different levels control who has access to specific lock functions, including: Service codes from single event up to four-day access, programmable in advance

### Holiday/Vacation

Up to 32 holiday/vacation blocks may be programmed.

### User Parameters

**Code length**—Adjustable to accept 4 to 8 digits

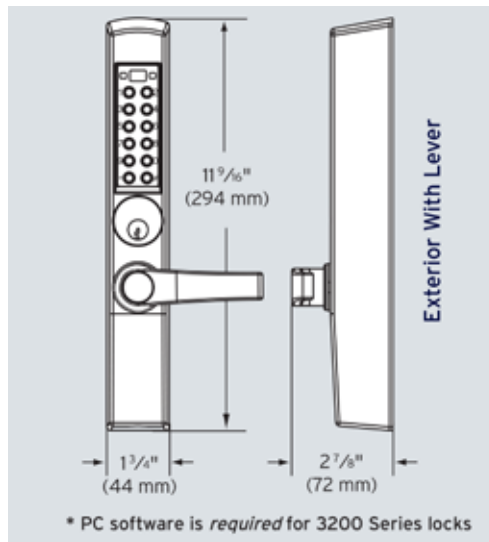
**Anti-tamper lockout**—Adjustable from 3 to 9 invalid attempts with an adjustable period of 0 to 90 seconds

**Relock time**—Adjustable from 2 to 20 seconds

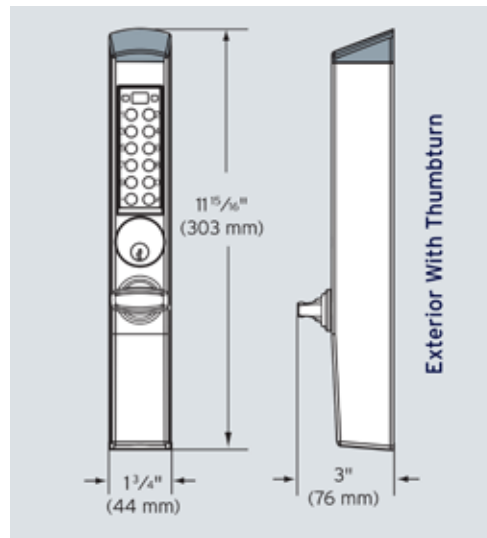
**Battery Operation**—Batteries located in tamper-proof base of outside housing. Four AA Alkaline batteries provide up to 120,000 cycles for E-Plex 3700 (performance varies based on settings). Lock data is maintained if batteries fail. Warning lights notify low battery status.

**Ease of Installation**—No wire installation—eliminates wiring to or through the door—no risk of pinched wires

## E3000/3200 Series\* Dimensions



## E3700 Series (Card-Based) Dimensions



## Optional Features



E-Plex 3700 offline with Keyscan Aurora and M-Unit handheld



E-Plex 3700 Wireless with Keyscan Aurora



E-Plex 3700 offline with Keyscan LUNA and M-Unit handheld

## Specifications

Construction	Extra heavy-duty lockset, solid cast housing, and solid cast lever or thumbturn wear tested for extensive use in indoor and outdoor applications
Numeric Keypad	Vandal resistant, solid metal pushbuttons
Handing	Non-handed, easily changed in the field
Backset	31/32" (25 mm) minimum
Locking Devices	Retrofits inside trim for Adams Rite® locks 1850, 1950, 4070, 4510, 4520, 4530, 4710, 4720, 4730, 4900, 4920AN, MS 1850S, MS 1950S, and 8400 Series (not included). Adapter Kit available for various manufacturers' narrow stile Exit Devices.
Maximum Stile Thickness	1 3/4" (44 mm)
Weight	5.1 lbs. (2.3 kg)
Mortise Cylinder	Field replaceable Mortise Cylinder in Schlage "C" or Kaba 90 Keyway
Interchangeable Cores	Optional Mortise Shell accommodates small format—Best and equivalents (6-pin length only)
Ease of Installation	No wire installation—eliminates wiring to or through the door—no risk of pinched wires
Door Preparation	Easily installs on narrow stile doors with four mounting screws
Door Thickness	1 3/4" (44 mm)
Items Supplied Include	Lock assembly, installation manual, quick reference guide, operations manual, installation template, cylinder with two keys, mounting hardware, and batteries
Accessibility Standard	Americans with Disabilities Act (ADA)
Durability	Designed and fully tested to meet rigid life cycle test and operating reliability per BHMA Grade 1 requirements
Environmental	Indoor/Outdoor Approved Front Housing: -31 °F (-35 °C) to + 151 °F (66 °C)
Standard Finish	Satin Chrome 26D (626) housing and lever
Optional Finish	Dark Bronze (744—Simulates 10B/613) housing with Brass pushbuttons and cylinder
Warranty	Three-year warranty from date of installation; built-in warranty counter in lock memory. Warranty is void if product is not installed with approved locking devices noted above.

© dormakaba 2022 dormakaba USA, Inc. All rights reserved. While reasonable efforts were made to ensure the accuracy of this document at the time of printing, dormakaba assumes no liability for any errors or omissions. This information is subject to be revised without notice, and changes may be incorporated in future releases

dormakaba USA, Inc.  
6161 E. 75th Street  
Indianapolis, IN 46250

1 800 849-8324

[www.dormakaba.us](http://www.dormakaba.us)

KAA1444 10-22