

|                   |                              |               |
|-------------------|------------------------------|---------------|
| CE                | dormakaba Deutschland GmbH   | 15            |
|                   | Postfach 4009                |               |
|                   | 58 247 Ennepetal             |               |
| 0432-CPR-00026-37 | EN 1154:1996/A1:2002/AC:2006 | 4 8 1-4 1 1 3 |
| DOP_0139          |                              |               |

**IMPORTANT**

READ CAREFULLY BEFORE USE

KEEP THE MANUAL FOR FUTURE REFERENCE

"Original instruction manual"

**Target group**

The door closer may only be installed by technically trained specialists.

**Intended use**

The TS 92 is exclusively aimed to be used for the controlled closing of single-action doors.

**Limitation of liability**

The TS 92 may only be used in accordance with its intended use. Modifications to the product or the use of accessories not approved by the manufacturer are not permitted.

**Installation instructions**

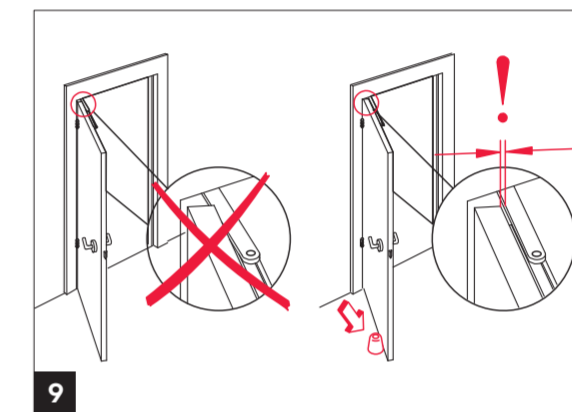
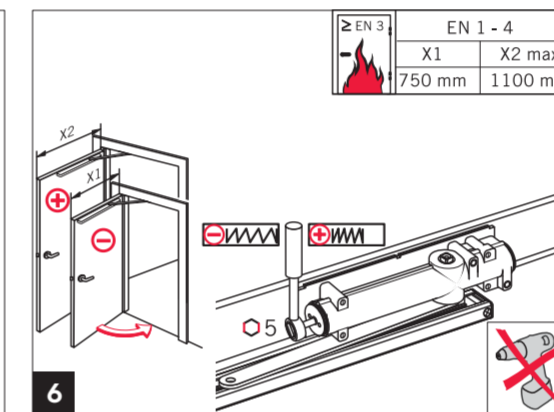
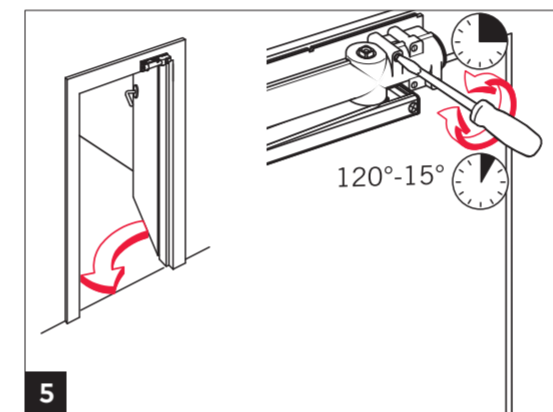
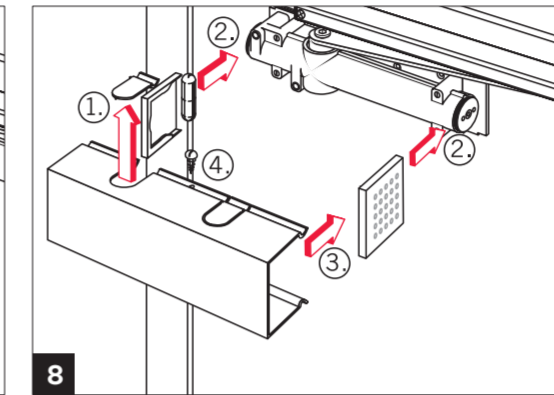
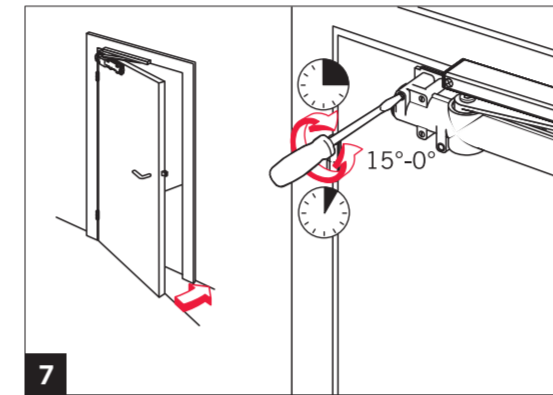
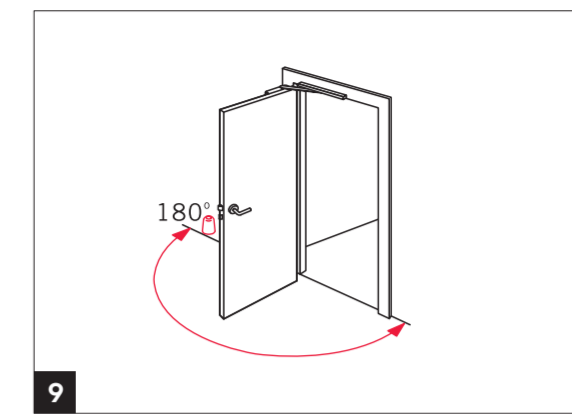
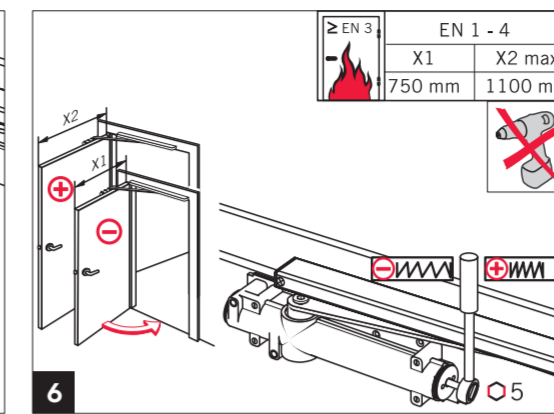
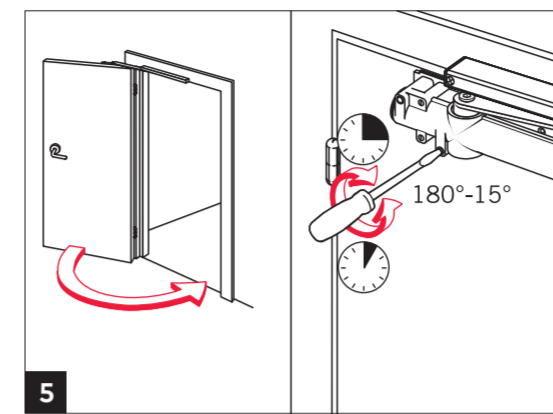
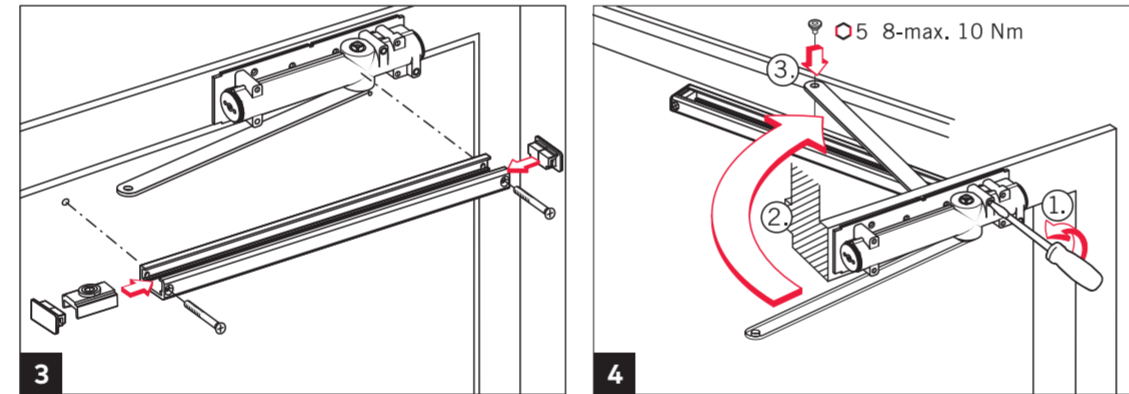
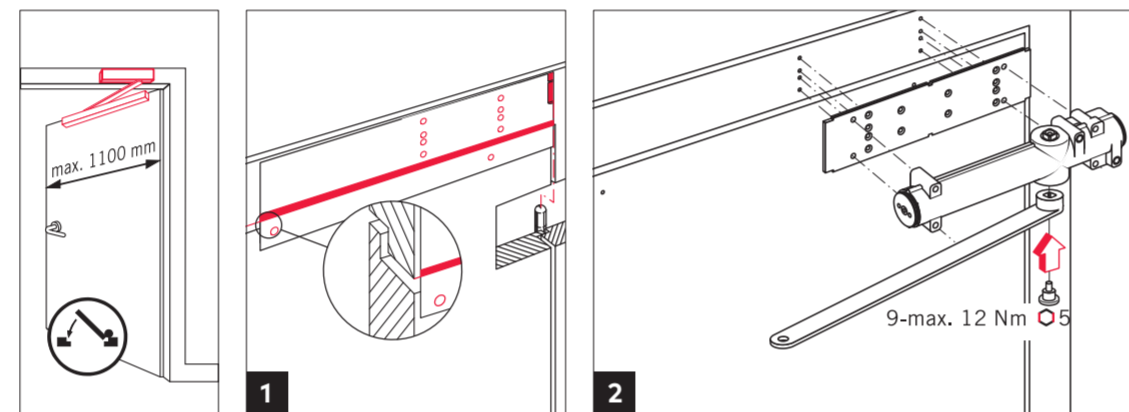
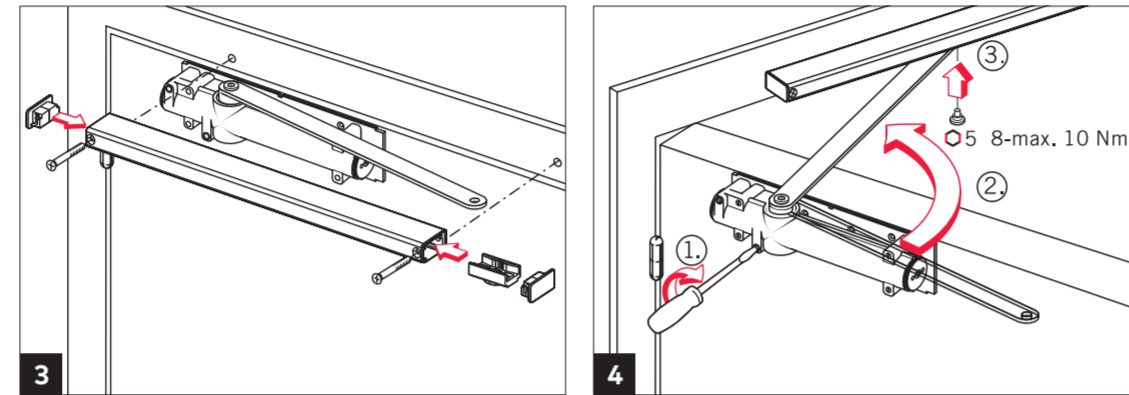
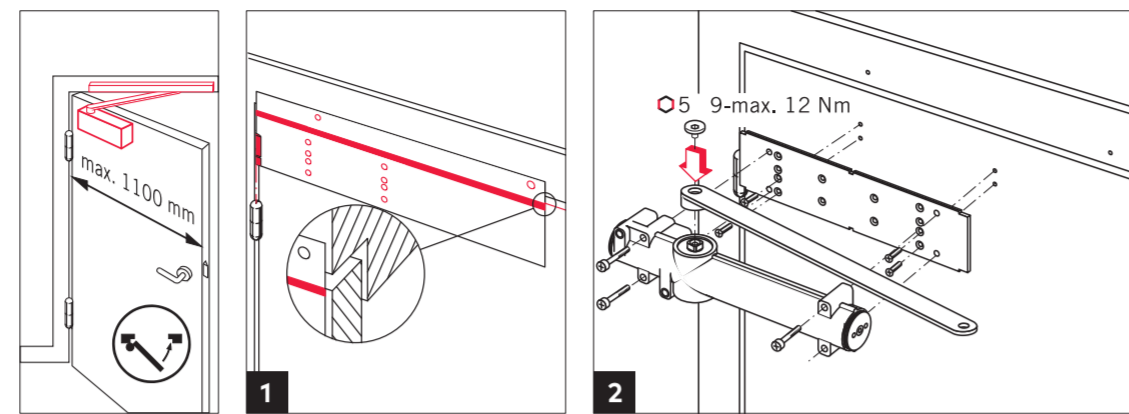
The illustrations in this manual show the installation for DIN-L and DIN-R.

# TS 92 B BASIC EN 1-4

WN 058844 45532  
2019-12

**EN**

Mounting instructions



TS 92 B BASIC EN 1-4

WN 058844 45532

2019-12

TS 92 B BASIC EN 1-4

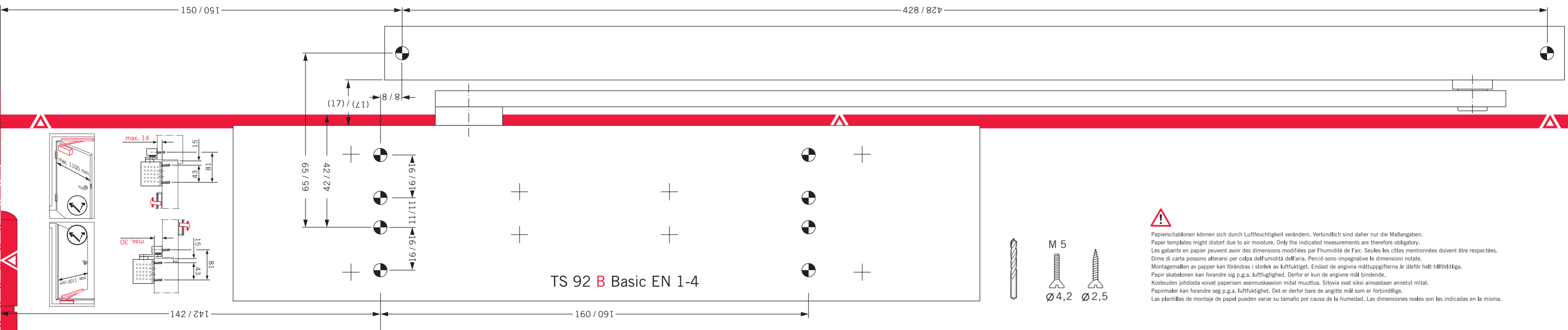
WN 058844 45532

2019-12

TS 92 B BASIC EN 1-4

WN 058844 45532

2019-12



Papiersablonen können sich durch Luftfeuchtigkeit verändern. Verbindlich sind daher nur die Maßangaben.  
 Paper templates might distort due to air moisture. Only the indicated measurements are therefore obligatory.  
 Les gabarits en papier peuvent avoir des dimensions modifiées par l'humidité de l'air. Seules les cotes mentionnées doivent être respectées.  
 Dime di carta possono alterarsi per colpa dell'umidità dell'aria. Perciò sono impegnative le dimensioni notate.  
 Montagemallen av papper kan förändras i storlek av luftfuktighet. Endast de angivna måttuppgifterna är därför helt tillförlitliga.  
 Papir skabelonen kan forandre sig p.g.a. luftfugtighed. Derfor er kun de angivne mål bindende.  
 Kosteuden johdosta voivat paperisen asennuskaavion mitat muuttua. Sitovia ovat siksi ainoastaan annetut mitat.  
 Papirmaler kan forandre seg p.g.a. luftfuktighet. Det er derfor bare de angitte mål som er forbindtligge.  
 Las plantillas de montaje de papel pueden variar su tamaño por causa de la humedad. Las dimensiones reales son las indicadas en la misma.

