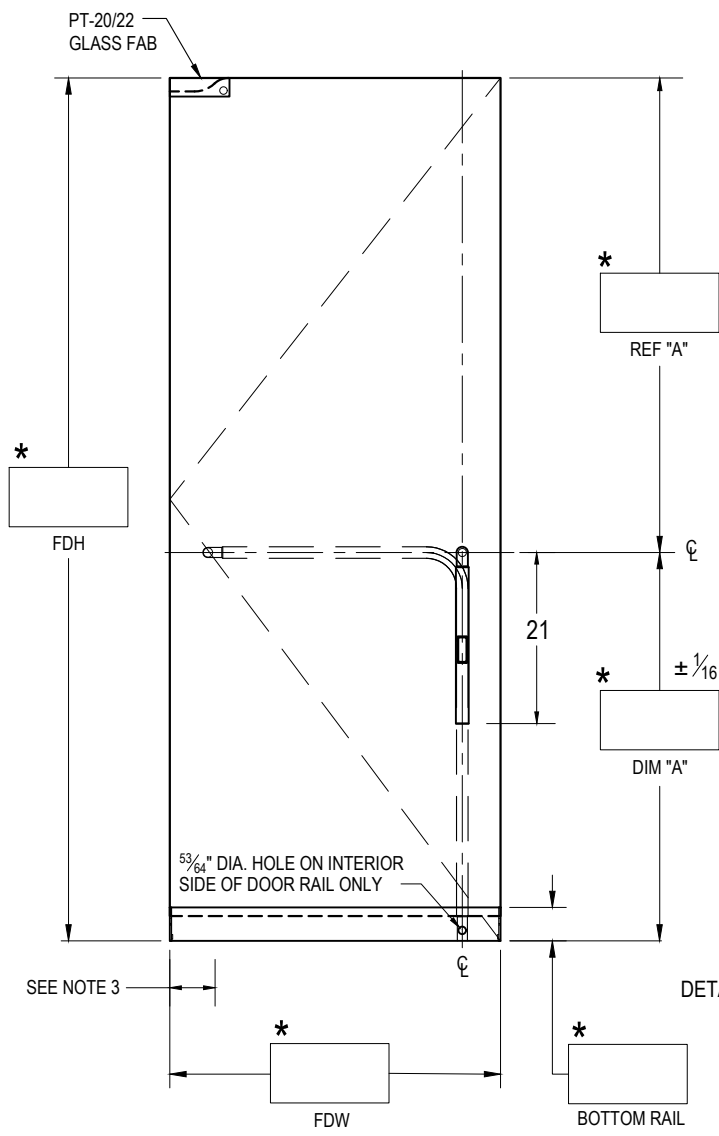
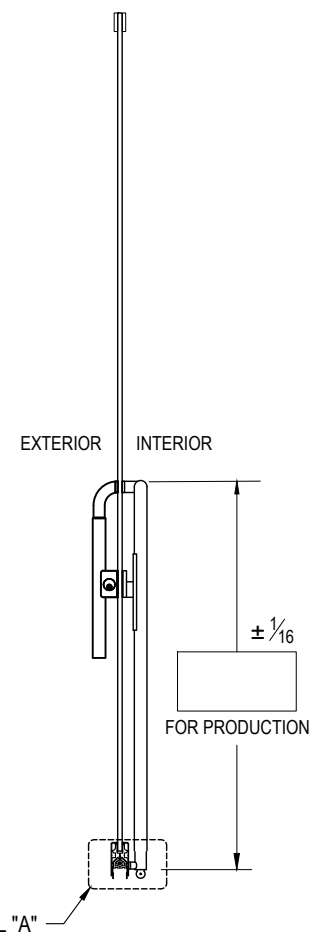


HOUSING: GP1100P EXIT PART # _____
 HANDING: SWING #4 SHOWN/LHR EXTERIOR VIEW _____
 TOP HARDWARE: PT20 PT22 _____
 BOTTOM RAIL: 2-1/2" 3-5/8" 4" 6" 10" _____
 FINISH: _____
 GLASS THICKNESS: 1/2" 3/4" QTY. OF DOORS: _____
 NOTES: _____

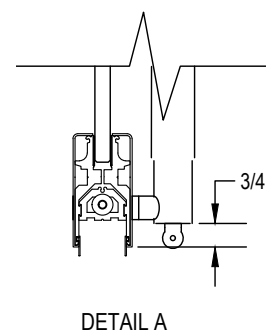
STRIKE OPTION:
 FLOOR MOUNTED
 THRESHOLD MOUNTED
 THRESHOLD WIDTH _____



EXTERIOR ELEVATION
 SCALE: 5/8" = 1'-0"



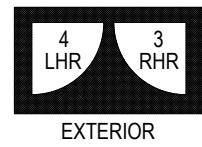
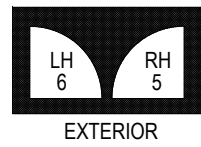
SECTION
 SCALE: 5/8" = 1'-0"



FDH = FINISHED DOOR HEIGHT
 FDW = FINISHED DOOR WIDTH
 GH = GLASS HEIGHT
 GW = GLASS WIDTH
 b = BOTTOM RAIL DEDUCTION

NOTES:

1. RAIL HEIGHT AND (*) DIMENSIONS PROVIDED BY CUSTOMER.
2. ALL DIMENSIONS ARE IN INCHES.
3. NOTE PIVOT REFERENCE DIMENSIONS:
 - 2-3/4" FROM SIDELITE & FRAME
 - 3-1/2" FROM WALL.



CUSTOMER NAME: _____

CUSTOMER APPROVAL: _____

P.O. # _____

DOOR MARK: _____

SALES ORDER # _____

GLASS THICKNESS: _____

DATE: _____

dormakaba

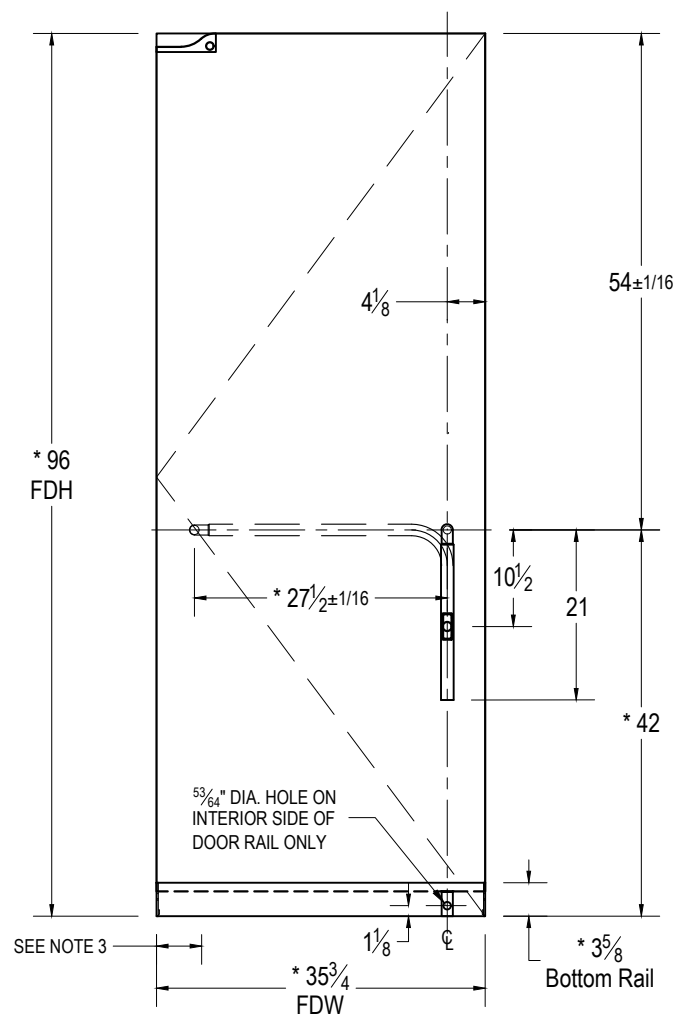
DORMA USA, Dorma Drive, Reamstown, PA 17567-0411 PH: 800-523-8483

DRAWING TITLE: **GP1100P-P-BP**

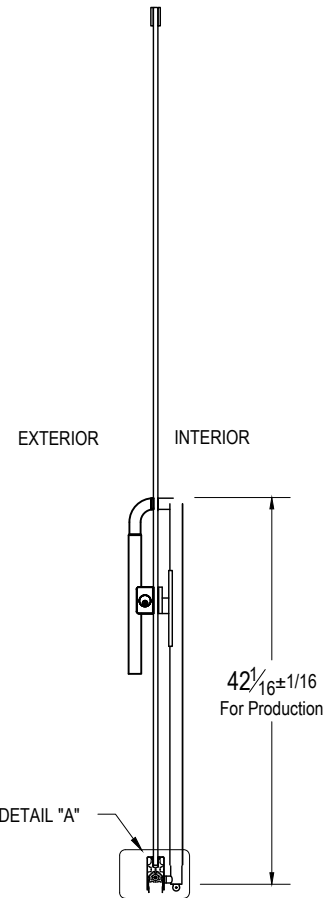
© dormakaba Subject to Change Without Notice

HOUSING: GP1100P EXIT PART # _____
 HANDING: SWING #4 SHOWN/LHR EXTERIOR VIEW _____
 TOP HARDWARE: PT20 PT22 _____
 BOTTOM RAIL: 2-1/2" 3-5/8" 4" 6" 10" _____
 FINISH: _____
 GLASS THICKNESS: 1/2" 3/4" QTY. OF DOORS: _____
 NOTES: _____

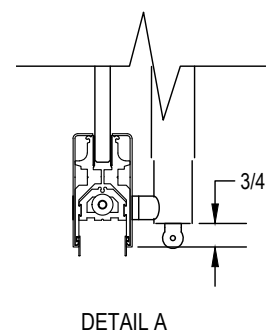
STRIKE OPTION:
 FLOOR MOUNTED
 THRESHOLD MOUNTED
 THRESHOLD WIDTH _____



EXTERIOR ELEVATION
 SCALE: 5/8" = 1'-0"



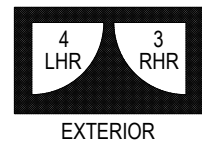
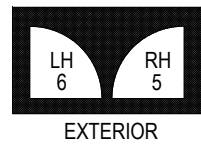
SECTION
 SCALE: 5/8" = 1'-0"



FDH = FINISHED DOOR HEIGHT
 FDW = FINISHED DOOR WIDTH
 GH = GLASS HEIGHT
 GW = GLASS WIDTH
 b = BOTTOM RAIL DEDUCTION

NOTES:

1. RAIL HEIGHT AND (*) DIMENSIONS PROVIDED BY CUSTOMER.
2. ALL DIMENSIONS ARE IN INCHES.
3. NOTE PIVOT REFERENCE DIMENSIONS:
 - 2-3/4" FROM SIDELITE & FRAME
 - 3-1/2" FROM WALL.



CUSTOMER NAME: _____
 CUSTOMER APPROVAL: _____
 P.O. # _____
 DOOR MARK: _____
 SALES ORDER # _____
 GLASS THICKNESS: _____
 DATE: _____

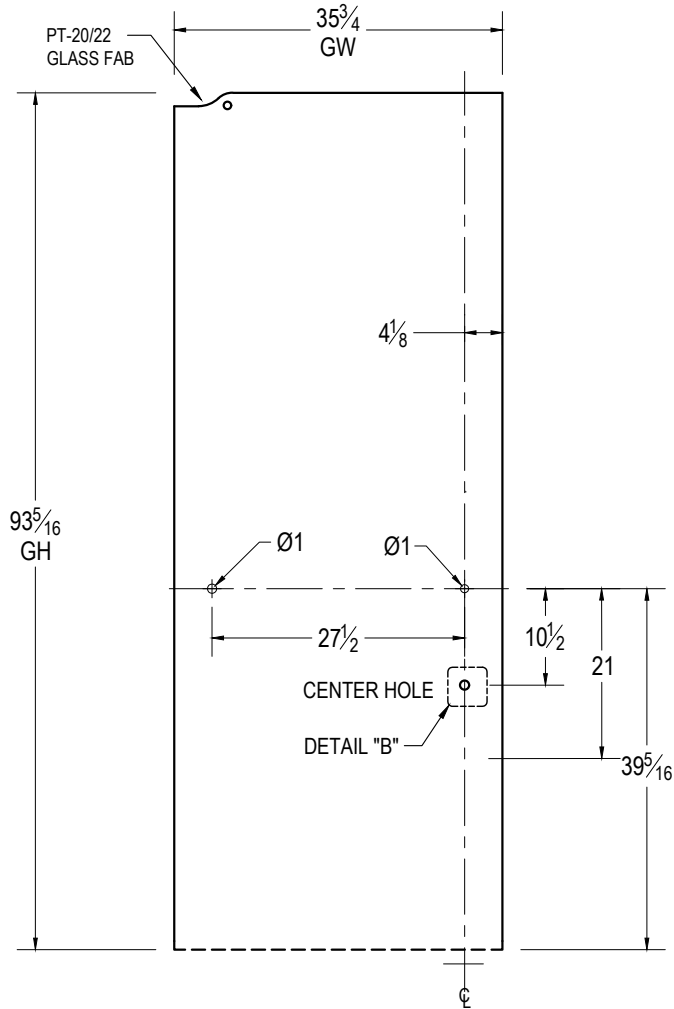
dormakaba

DORMA USA, Dorma Drive, Reamstown, PA 17567-0411 PH: 800-523-8483

DRAWING TITLE: **GP1100P-P-BP**

© dormakaba Subject to Change Without Notice

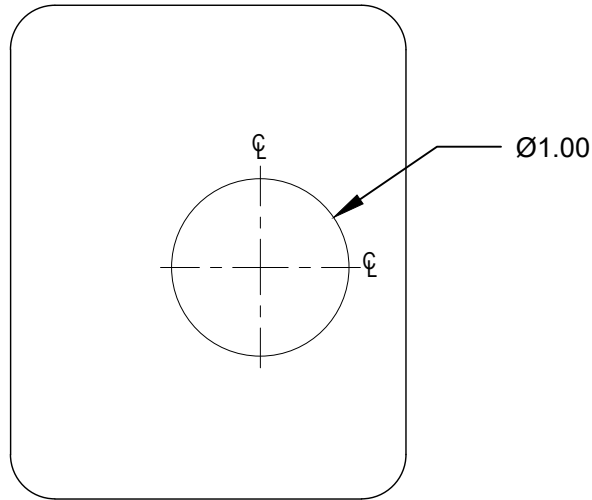
GLASS DETAILS



EXTERIOR ELEVATION
SCALE: 5/8" = 1'-0"

NOTES:

1. RAIL HEIGHT AND (*) DIMENSIONS PROVIDED BY CUSTOMER.
2. ALL DIMENSIONS ARE IN INCHES.
3. ALL HOLE SIZES AND LOCATIONS MUST BE HELD TO +/- 1/16"
4. DO NOT CHAMFER EDGES OF HOLES.



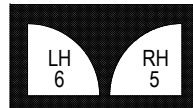
DETAIL "B"

SCALE: 1:1

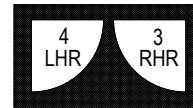
Glass Height Equation: GH = FDH - (b)					
Rail Height	2-1/2"	3-5/8"	4"	6"	10"
Deduction	1.8125	2.6875	2.6875	5.0625	5.0625

FDH = FINISHED DOOR HEIGHT
 FDW = FINISHED DOOR WIDTH
 GH = GLASS HEIGHT
 GW = GLASS WIDTH
 b = BOTTOM RAIL DEDUCTION

CUSTOMER NAME:
CUSTOMER APPROVAL:
P.O. #
DOOR MARK:
SALES ORDER #
GLASS THICKNESS:
DATE:



EXTERIOR



EXTERIOR



DORMA USA, Dorma Drive, Reamstown, PA 17567-0411 PH: 800-523-8483

DRAWING TITLE: **GP1100P-P-BP**

© dormakaba

Subject to Change Without Notice