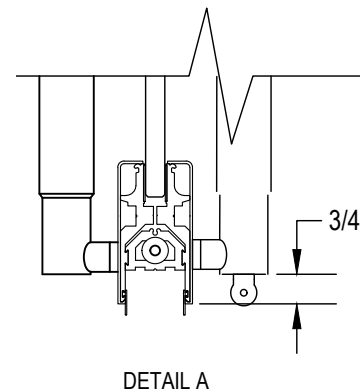
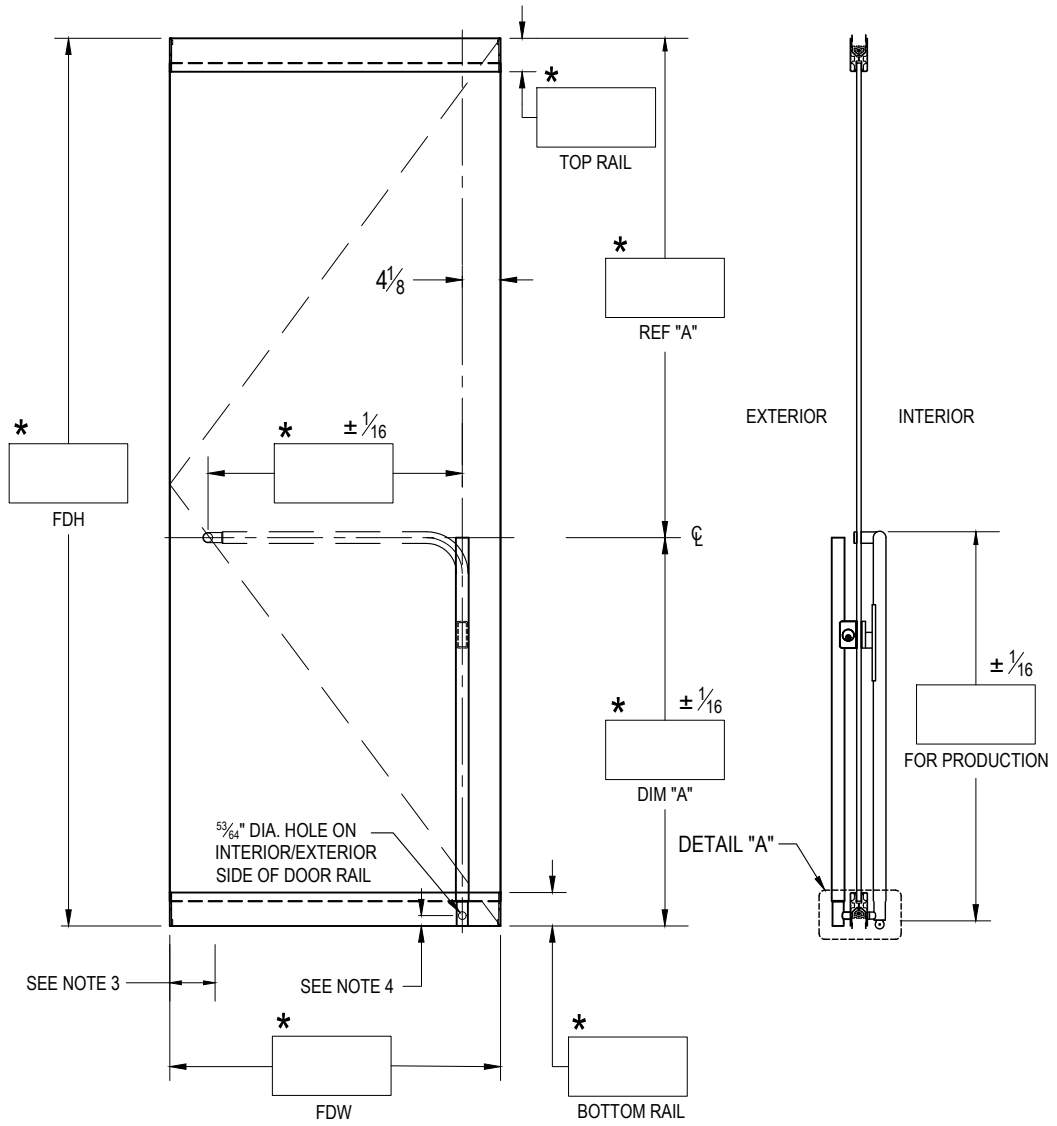


HOUSING: GP1100KS EXIT PART #
 HANDING: SWING #4 SHOWN/LHR EXTERIOR VIEW
 TOP RAIL: 2-1/2" 3-5/8" 4" 6" 10"
 BOTTOM RAIL: 2-1/2" 3-5/8" 4" 6" 10"
 FINISH: _____
 GLASS THICKNESS: 1/2" 3/4" QTY. OF DOORS: _____
 NOTES: _____

STRIKE OPTION:
 FLOOR MOUNTED
 THRESHOLD MOUNTED
 THRESHOLD WIDTH _____



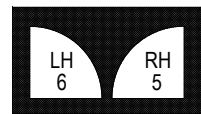
FDH = FINISHED DOOR HEIGHT
 FDW = FINISHED DOOR WIDTH
 GH = GLASS HEIGHT
 GW = GLASS WIDTH
 a = TOP RAIL DEDUCTION
 b = BOTTOM RAIL DEDUCTION

EXTERIOR ELEVATION
 SCALE: 5/8" = 1'-0"

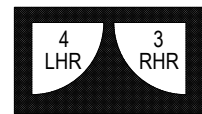
SECTION
 SCALE: 5/8" = 1'-0"

NOTES:

1. RAIL HEIGHTS AND (*) DIMENSIONS PROVIDED BY CUSTOMER.
2. ALL DIMENSIONS ARE IN INCHES.
3. NOTE PIVOT REFERENCE DIMENSIONS:
 - 2-3/4" FROM SIDELITE & FRAME.
 - 3-1/2" FROM WALL.
4. THRESHOLD MOUNTED STRIKE OPTION SHOWN.
 - THRESHOLD RAMPSTRIKE DIMENSION 7/16".
 - FLOOR MOUNT RAMPSTRIKE DIMENSION 1-1/8".



EXTERIOR



EXTERIOR

CUSTOMER NAME:
CUSTOMER APPROVAL:
P.O. #
DOOR MARK:
SALES ORDER #
GLASS THICKNESS:
DATE:

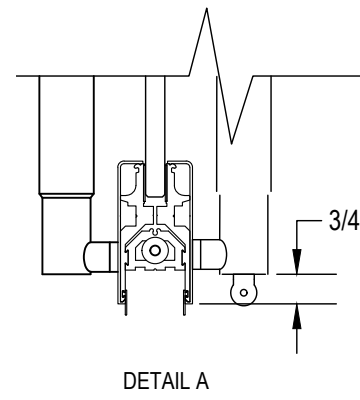
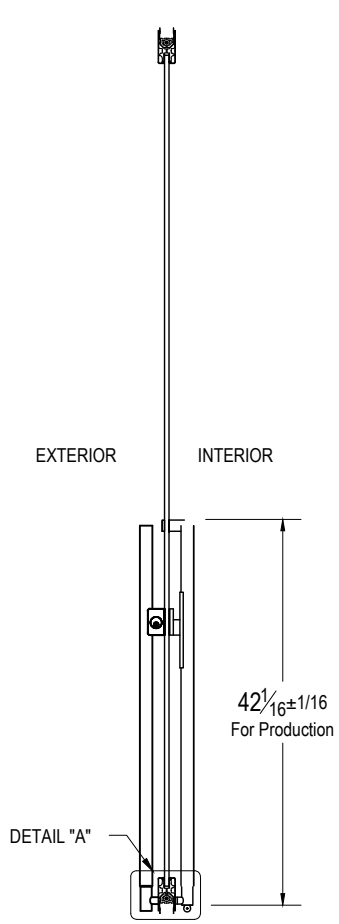
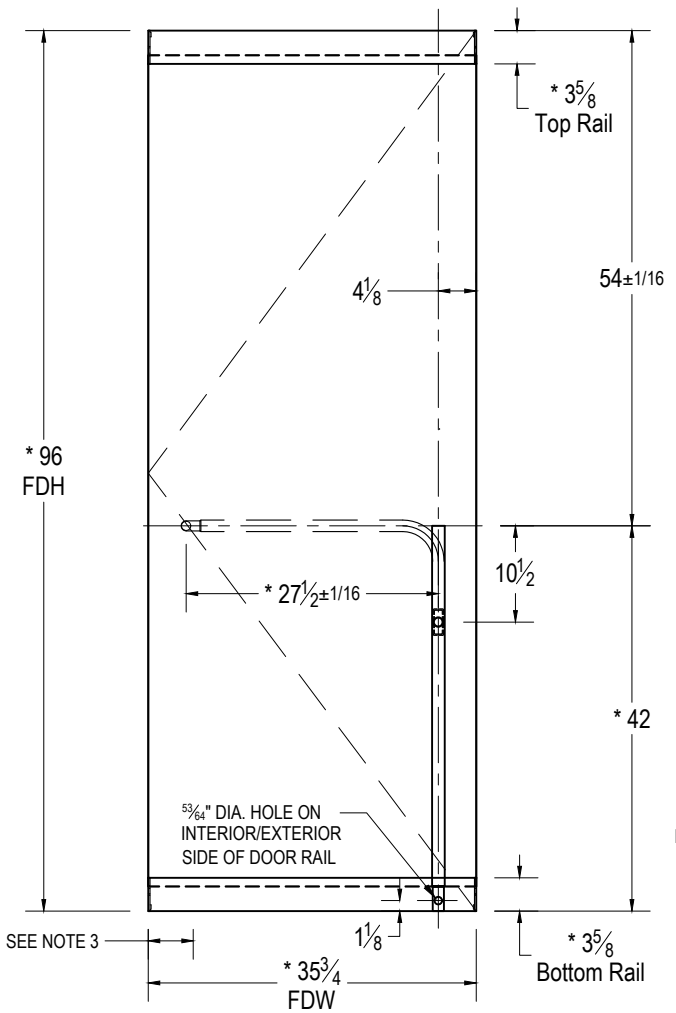


DORMA USA, Dorma Drive, Reamstown, PA 17567-0411 PH: 800-523-8483

DRAWING TITLE: **GP1100P-KS-P**

HOUSING: GP1100KS EXIT PART #
 HANDING: SWING #4 SHOWN/LHR EXTERIOR VIEW
 TOP RAIL: 2-1/2" 3-5/8" 4" 6" 10"
 BOTTOM RAIL: 2-1/2" 3-5/8" 4" 6" 10"
 FINISH: _____
 GLASS THICKNESS: 1/2" 3/4" QTY. OF DOORS: _____
 NOTES: _____

STRIKE OPTION:
 FLOOR MOUNTED
 THRESHOLD MOUNTED
 THRESHOLD WIDTH _____



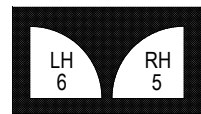
FDH = FINISHED DOOR HEIGHT
 FDW = FINISHED DOOR WIDTH
 GH = GLASS HEIGHT
 GW = GLASS WIDTH
 a = TOP RAIL DEDUCTION
 b = BOTTOM RAIL DEDUCTION

EXTERIOR ELEVATION
 SCALE: 5/8" = 1'-0"

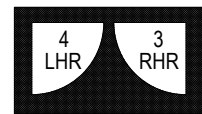
SECTION
 SCALE: 5/8" = 1'-0"

NOTES:

1. RAIL HEIGHTS AND (*) DIMENSIONS PROVIDED BY CUSTOMER.
2. ALL DIMENSIONS ARE IN INCHES.
3. NOTE PIVOT REFERENCE DIMENSIONS:
 - 2-3/4" FROM SIDELITE & FRAME.
 - 3-1/2" FROM WALL.
4. THRESHOLD MOUNTED STRIKE OPTION SHOWN.
 - THRESHOLD RAMPSTRIKE DIMENSION 7/16".
 - FLOOR MOUNT RAMPSTRIKE DIMENSION 1-1/8".



EXTERIOR



EXTERIOR

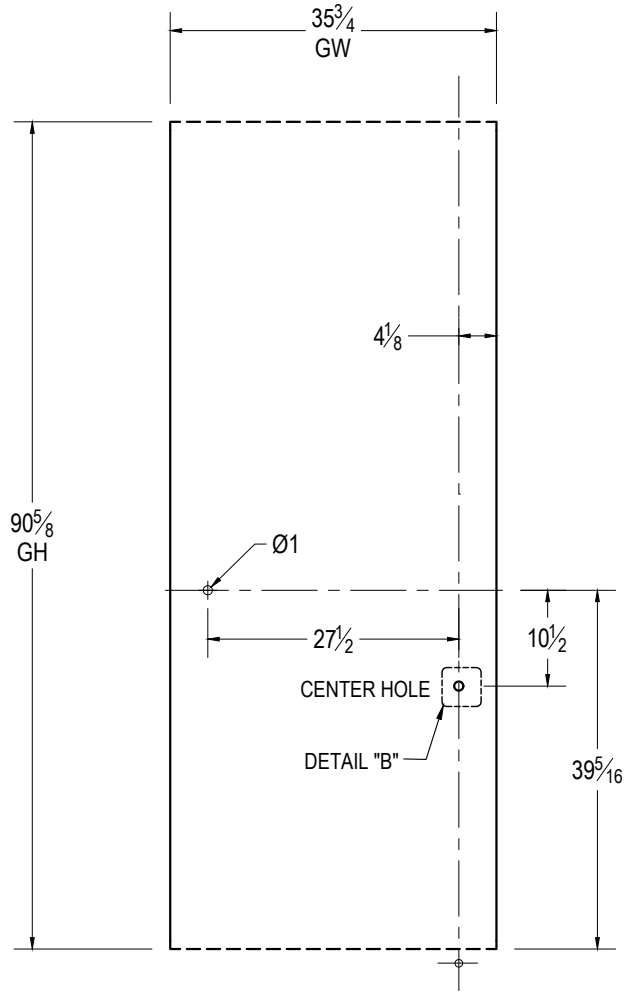
CUSTOMER NAME: _____
 CUSTOMER APPROVAL: _____
 P.O. # _____
 DOOR MARK: _____
 SALES ORDER # _____
 GLASS THICKNESS: _____
 DATE: _____



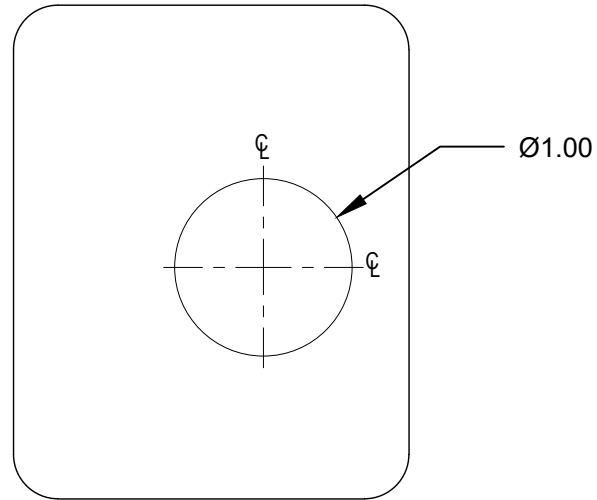
DORMA USA, Dorma Drive, Reamstown, PA 17567-0411 PH: 800-523-8483

DRAWING TITLE: GP1100P-KS-P

GLASS DETAILS



EXTERIOR ELEVATION
SCALE: 5/8" = 1'-0"



DETAIL "B"
SCALE: 1:1

Glass Height Equation: $GH = FDH - (a+b)$

Rail Height	2-1/2"	3-5/8"	4"	6"	10"
Deduction	1.8125	2.6875	2.6875	5.0625	5.0625

FDH = FINISHED DOOR HEIGHT
 FDW = FINISHED DOOR WIDTH
 GH = GLASS HEIGHT
 GW = GLASS WIDTH
 a = TOP RAIL DEDUCTION
 b = BOTTOM RAIL DEDUCTION

CUSTOMER NAME: _____

CUSTOMER APPROVAL: _____

P.O. # _____

DOOR MARK: _____

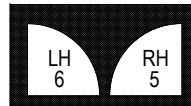
SALES ORDER # _____

GLASS THICKNESS: _____

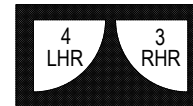
DATE: _____

NOTES:

1. RAIL HEIGHTS AND (*) DIMENSIONS PROVIDED BY CUSTOMER.
2. ALL DIMENSIONS ARE IN INCHES.
3. ALL HOLE SIZES AND LOCATIONS MUST BE HELD TO +/- 1/16"
4. DO NOT CHAMFER EDGES OF HOLES.



EXTERIOR



EXTERIOR



DORMA USA, Dorma Drive, Reamstown, PA 17567-0411 PH: 800-523-8483

DRAWING TITLE: **GP1100P-KS-P**