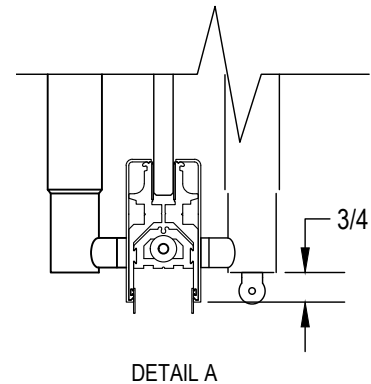
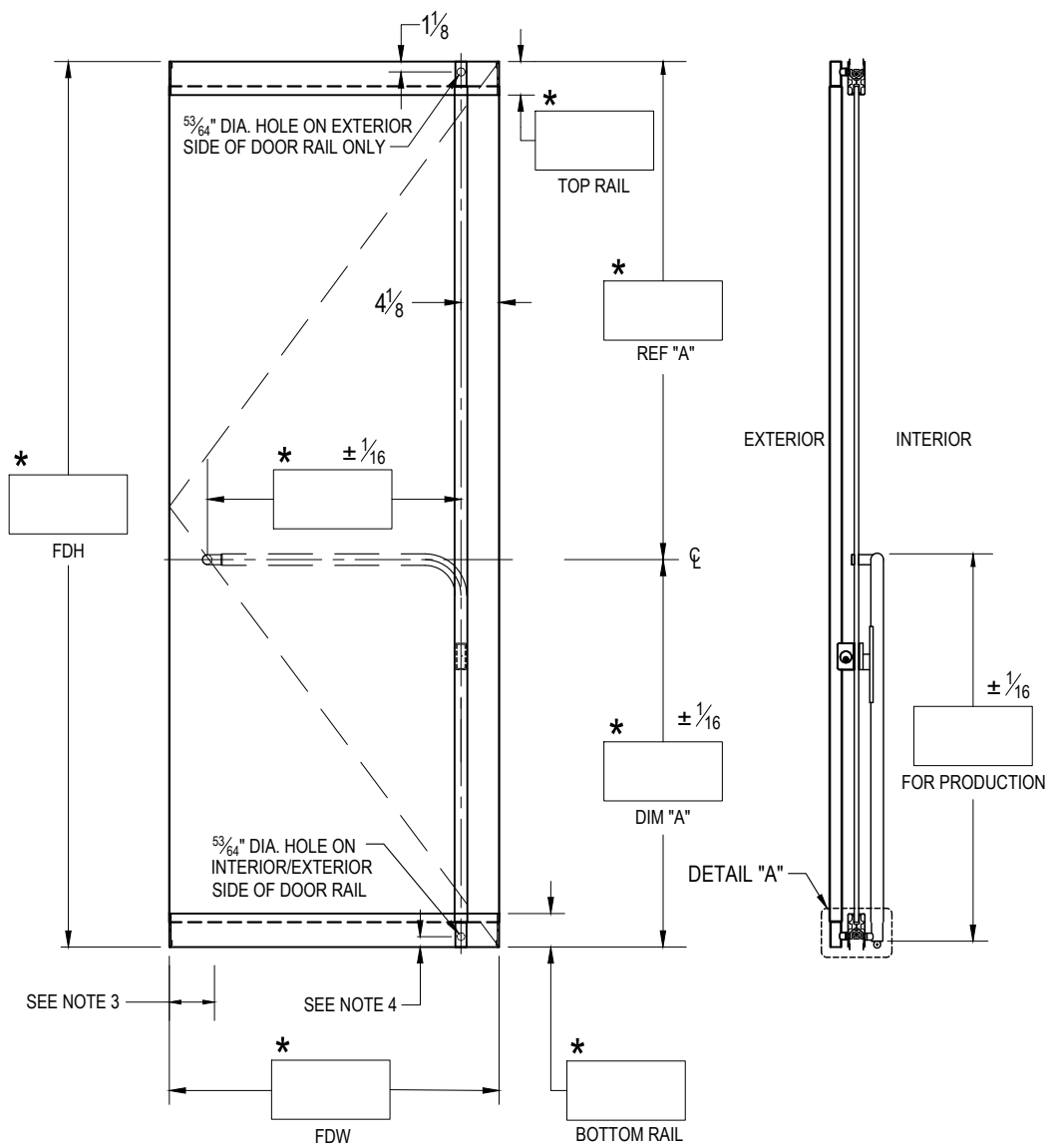


HOUSING: GP1100F EXIT PART # \_\_\_\_\_  
 HANDING: SWING #4 SHOWN/LHR EXTERIOR VIEW  
 TOP RAIL:  2-1/2"  3-5/8"  4"  6"  10"  
 BOTTOM RAIL:  2-1/2"  3-5/8"  4"  6"  10"  
 FINISH: \_\_\_\_\_  
 GLASS THICKNESS:  1/2"  3/4" QTY. OF DOORS: \_\_\_\_\_  
 NOTES: \_\_\_\_\_

STRIKE OPTION:  
 FLOOR MOUNTED  
 THRESHOLD MOUNTED  
 THRESHOLD WIDTH \_\_\_\_\_

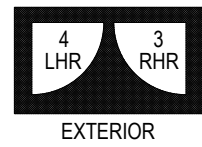
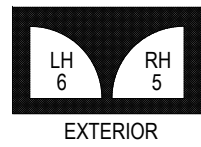


FDH = FINISHED DOOR HEIGHT  
 FDW = FINISHED DOOR WIDTH  
 GH = GLASS HEIGHT  
 GW = GLASS WIDTH  
 a = TOP RAIL DEDUCTION  
 b = BOTTOM RAIL DEDUCTION

EXTERIOR ELEVATION  
 SCALE: 5/8" = 1'-0"

SECTION  
 SCALE: 5/8" = 1'-0"

- NOTES:
- RAIL HEIGHTS AND (\*) DIMENSIONS PROVIDED BY CUSTOMER.
  - ALL DIMENSIONS ARE IN INCHES.
  - NOTE PIVOT REFERENCE DIMENSIONS:
    - 2-3/4" FROM SIDELITE & FRAME.
    - 3-1/2" FROM WALL.
  - THRESHOLD MOUNTED STRIKE OPTION SHOWN.
    - THRESHOLD RAMPSTRIKE DIMENSION 7/16".
    - FLOOR MOUNT RAMPSTRIKE DIMENSION 1-1/8".



CUSTOMER NAME: \_\_\_\_\_  
 CUSTOMER APPROVAL: \_\_\_\_\_  
 P.O. # \_\_\_\_\_  
 DOOR MARK: \_\_\_\_\_  
 SALES ORDER # \_\_\_\_\_  
 GLASS THICKNESS: \_\_\_\_\_  
 DATE: \_\_\_\_\_

**dormakaba**

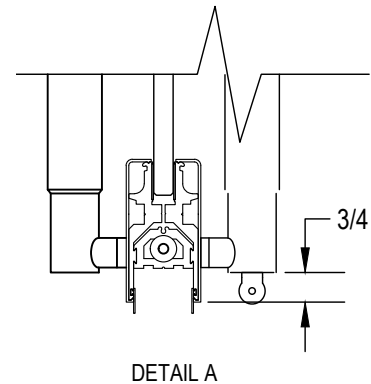
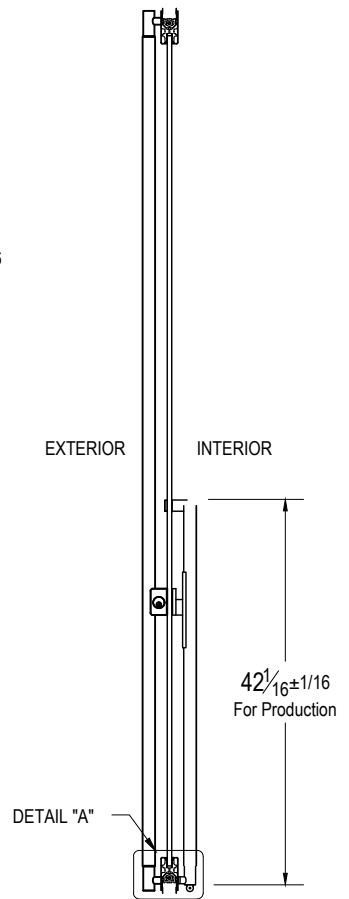
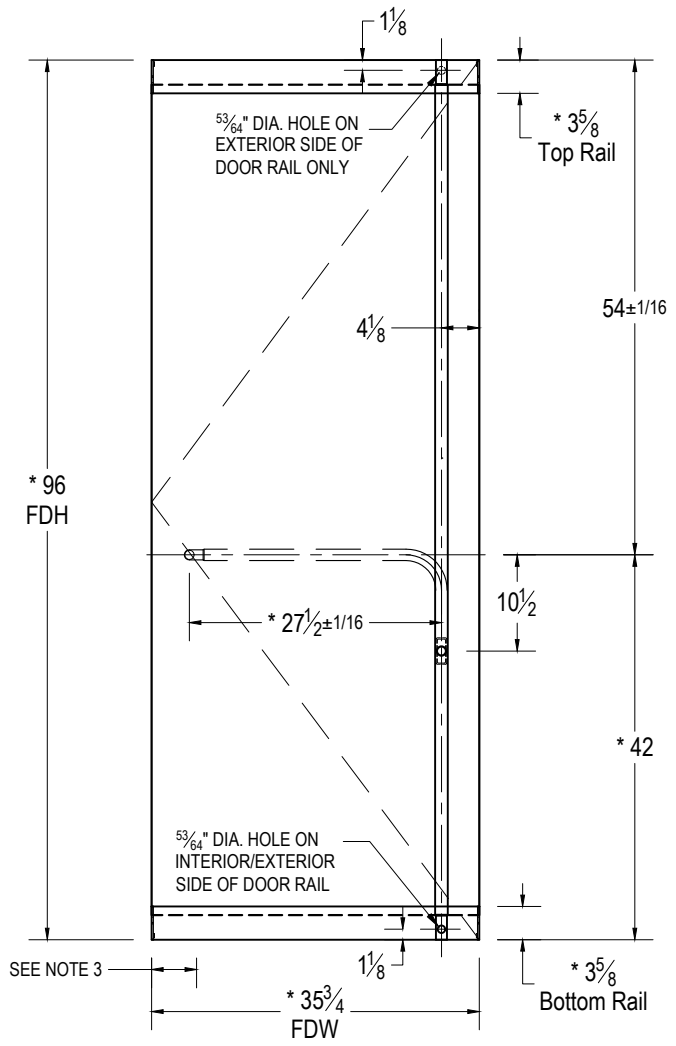
DORMA USA, Dorma Drive, Reamstown, PA 17567-0411 PH: 800-523-8483

DRAWING TITLE: **GP1100P-F-P**

© dormakaba Subject to Change Without Notice

HOUSING: GP1100F EXIT PART # \_\_\_\_\_  
 HANDING: SWING #4 SHOWN/LHR EXTERIOR VIEW  
 TOP RAIL:  2-1/2"  3-5/8"  4"  6"  10" \_\_\_\_\_  
 BOTTOM RAIL:  2-1/2"  3-5/8"  4"  6"  10" \_\_\_\_\_  
 FINISH: \_\_\_\_\_  
 GLASS THICKNESS:  1/2"  3/4" QTY. OF DOORS: \_\_\_\_\_  
 NOTES: \_\_\_\_\_

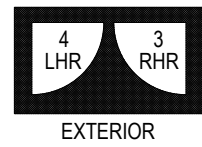
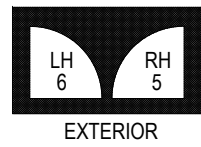
STRIKE OPTION:  
 FLOOR MOUNTED  
 THRESHOLD MOUNTED  
 THRESHOLD WIDTH \_\_\_\_\_




FDH = FINISHED DOOR HEIGHT  
 FDW = FINISHED DOOR WIDTH  
 GH = GLASS HEIGHT  
 GW = GLASS WIDTH  
 a = TOP RAIL DEDUCTION  
 b = BOTTOM RAIL DEDUCTION

NOTES:

1. RAIL HEIGHTS AND (\*) DIMENSIONS PROVIDED BY CUSTOMER.
2. ALL DIMENSIONS ARE IN INCHES.
3. NOTE PIVOT REFERENCE DIMENSIONS:
  - 2-3/4" FROM SIDELITE & FRAME.
  - 3-1/2" FROM WALL.
4. THRESHOLD MOUNTED STRIKE OPTION SHOWN.
  - THRESHOLD RAMPSTRIKE DIMENSION 7/16".
  - FLOOR MOUNT RAMPSTRIKE DIMENSION 1-1/8".



CUSTOMER NAME: \_\_\_\_\_  
 CUSTOMER APPROVAL: \_\_\_\_\_  
 P.O. # \_\_\_\_\_  
 DOOR MARK: \_\_\_\_\_  
 SALES ORDER # \_\_\_\_\_  
 GLASS THICKNESS: \_\_\_\_\_  
 DATE: \_\_\_\_\_

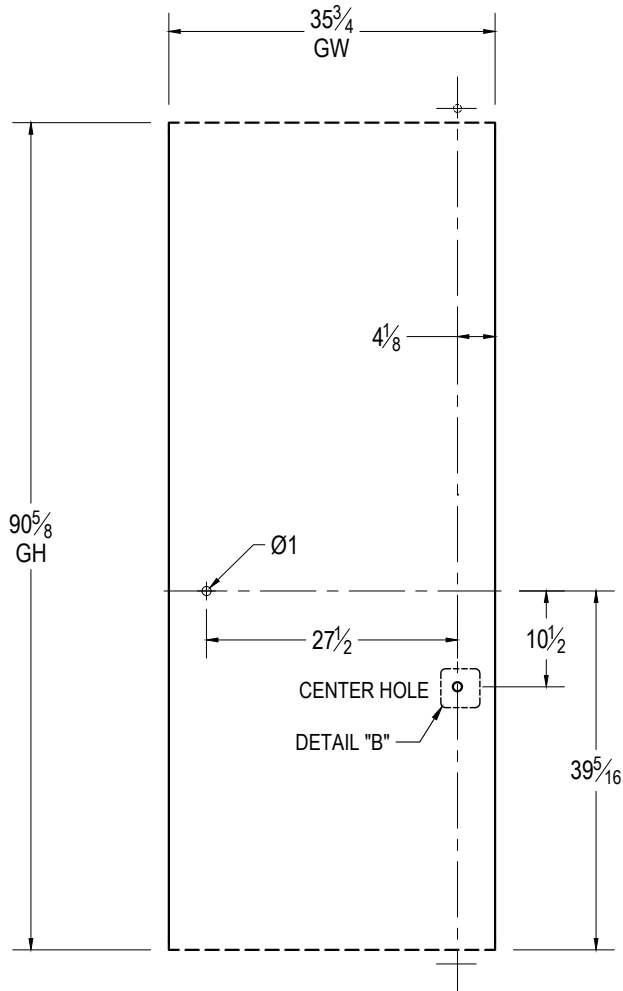
**dormakaba** 

DORMA USA, Dorma Drive, Reamstown, PA 17567-0411 PH: 800-523-8483

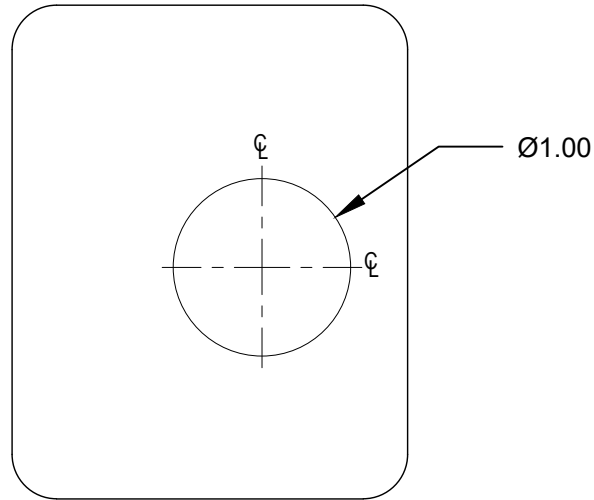
DRAWING TITLE: **GP1100P-F-P**

© dormakaba Subject to Change Without Notice

# GLASS DETAILS



EXTERIOR ELEVATION  
SCALE: 5/8" = 1'-0"



DETAIL "B"

SCALE: 1:1

Glass Height Equation: $GH = FDH - (a+b)$					
Rail Height	2-1/2"	3-5/8"	4"	6"	10"
Deduction	1.8125	2.6875	2.6875	5.0625	5.0625

FDH = FINISHED DOOR HEIGHT  
 FDW = FINISHED DOOR WIDTH  
 GH = GLASS HEIGHT  
 GW = GLASS WIDTH  
 a = TOP RAIL DEDUCTION  
 b = BOTTOM RAIL DEDUCTION

CUSTOMER NAME:

CUSTOMER APPROVAL:

P.O. #

DOOR MARK:

SALES ORDER #

GLASS THICKNESS:

DATE:

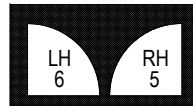


DORMA USA, Dorma Drive, Reamstown, PA 17567-0411 PH: 800-523-8483

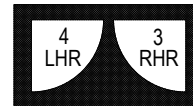
DRAWING TITLE: **GP1100P-F-P**

NOTES:

1. RAIL HEIGHTS AND (\*) DIMENSIONS PROVIDED BY CUSTOMER.
2. ALL DIMENSIONS ARE IN INCHES.
3. ALL HOLE SIZES AND LOCATIONS MUST BE HELD TO +/- 1/16"
4. DO NOT CHAMFER EDGES OF HOLES.



EXTERIOR



EXTERIOR