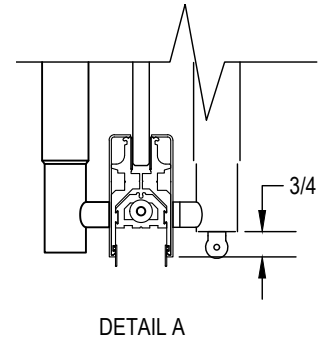
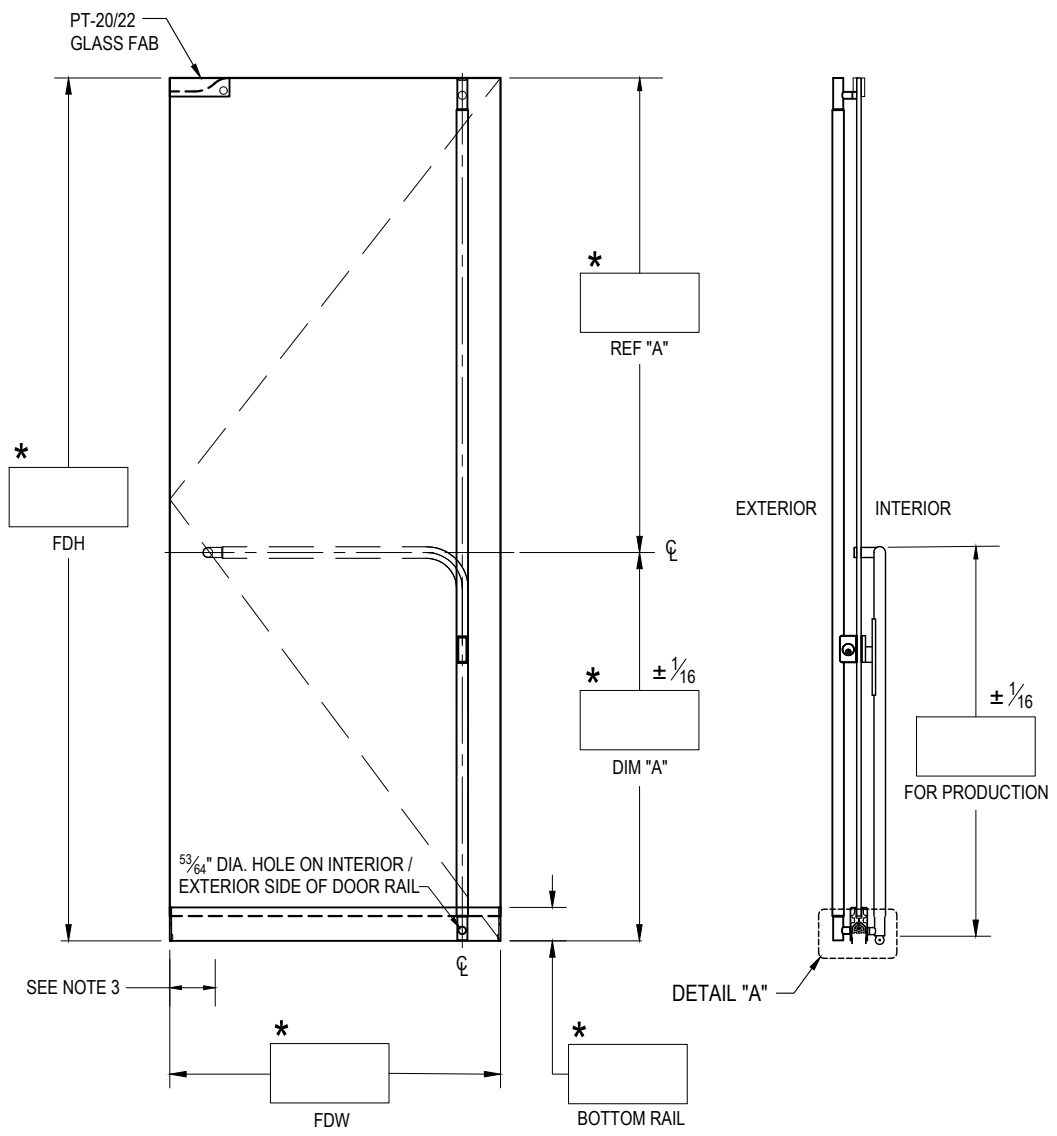


HOUSING: GP1100F EXIT PART # _____
 HANDING: SWING #4 SHOWN/LHR EXTERIOR VIEW _____
 TOP HARDWARE: PT20 PT22 _____
 BOTTOM RAIL: 2-1/2" 3-5/8" 4" 6" 10" _____
 FINISH: _____
 GLASS THICKNESS: 1/2" 3/4" QTY. OF DOORS: _____
 NOTES: _____

STRIKE OPTION:
 FLOOR MOUNTED
 THRESHOLD MOUNTED
 THRESHOLD WIDTH _____



FDH = FINISHED DOOR HEIGHT
 FDW = FINISHED DOOR WIDTH
 GH = GLASS HEIGHT
 GW = GLASS WIDTH
 b = BOTTOM RAIL DEDUCTION

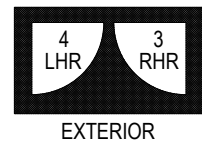
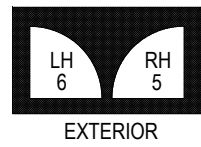
CUSTOMER NAME: _____
 CUSTOMER APPROVAL: _____
 P.O. # _____
 DOOR MARK: _____
 SALES ORDER # _____
 GLASS THICKNESS: _____
 DATE: _____

EXTERIOR ELEVATION
 SCALE: 5/8" = 1'-0"

SECTION
 SCALE: 5/8" = 1'-0"

NOTES:

1. RAIL HEIGHT AND (*) DIMENSIONS PROVIDED BY CUSTOMER.
2. ALL DIMENSIONS ARE IN INCHES.
3. NOTE PIVOT REFERENCE DIMENSIONS:
 - 2-3/4" FROM SIDELITE & FRAME
 - 3-1/2" FROM WALL.



dormakaba

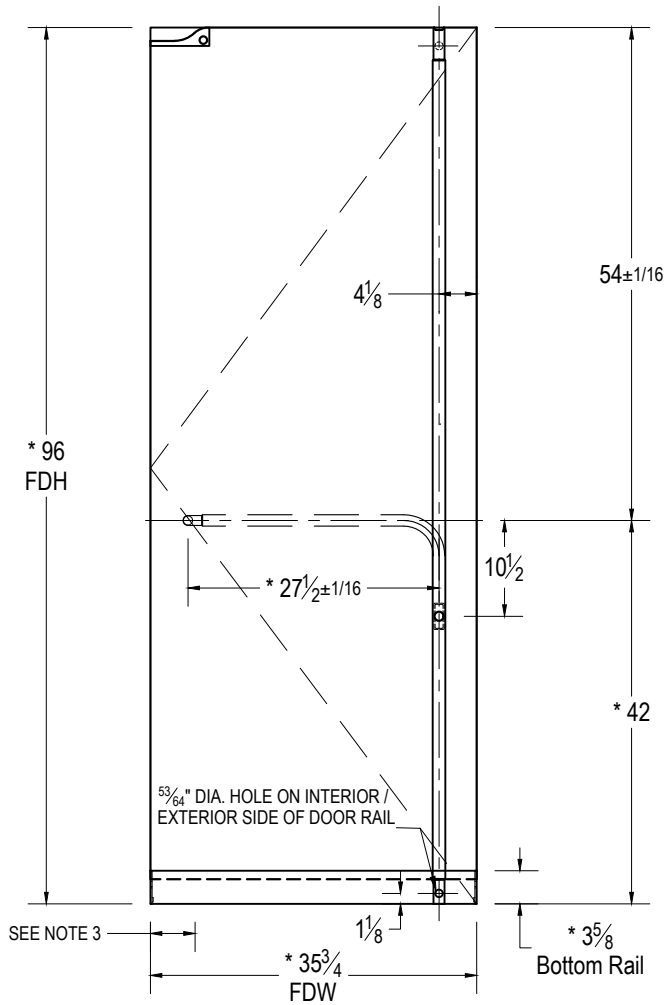
DORMA USA, Dorma Drive, Reamstown, PA 17567-0411 PH: 800-523-8483

DRAWING TITLE: **GP1100P-F-BP**

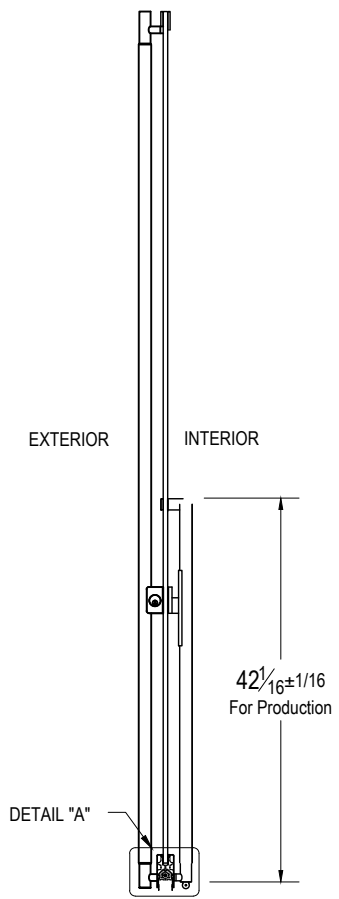
© dormakaba Subject to Change Without Notice

HOUSING: GP1100F EXIT PART # _____
 HANDING: SWING #4 SHOWN/LHR EXTERIOR VIEW _____
 TOP HARDWARE: PT20 PT22 _____
 BOTTOM RAIL: 2-1/2" 3-5/8" 4" 6" 10" _____
 FINISH: _____
 GLASS THICKNESS: 1/2" 3/4" QTY. OF DOORS: _____
 NOTES: _____

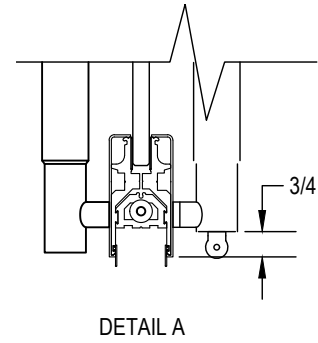
STRIKE OPTION:
 FLOOR MOUNTED
 THRESHOLD MOUNTED
 THRESHOLD WIDTH _____



EXTERIOR ELEVATION
 SCALE: 5/8" = 1'-0"



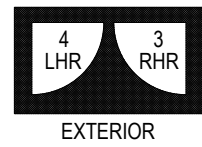
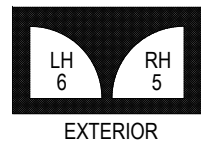
SECTION
 SCALE: 5/8" = 1'-0"




FDH = FINISHED DOOR HEIGHT
 FDW = FINISHED DOOR WIDTH
 GH = GLASS HEIGHT
 GW = GLASS WIDTH
 b = BOTTOM RAIL DEDUCTION

NOTES:

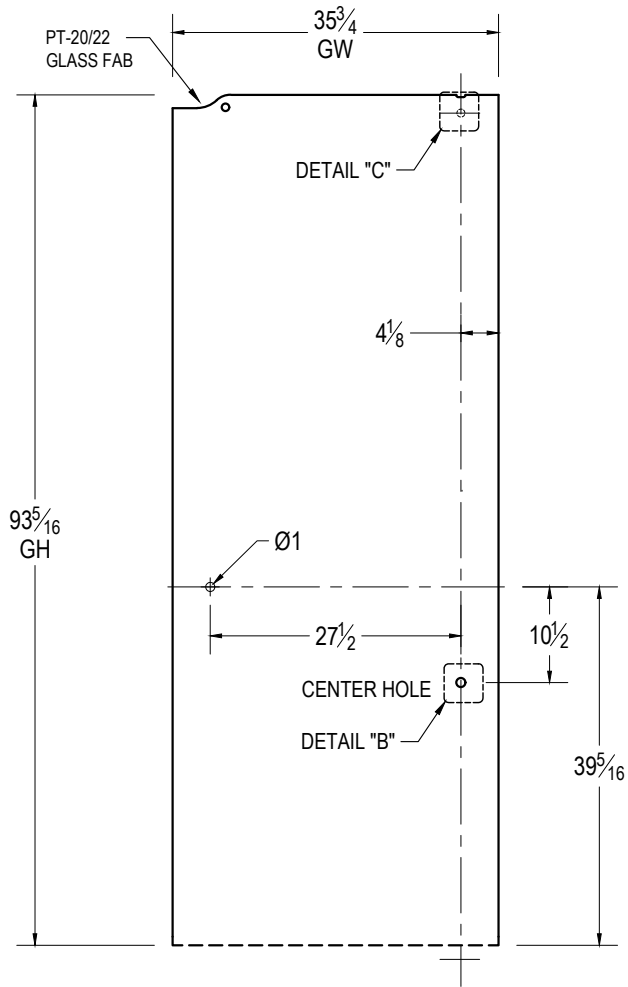
1. RAIL HEIGHT AND (*) DIMENSIONS PROVIDED BY CUSTOMER.
2. ALL DIMENSIONS ARE IN INCHES.
3. NOTE PIVOT REFERENCE DIMENSIONS:
 - 2-3/4" FROM SIDELITE & FRAME
 - 3-1/2" FROM WALL.



CUSTOMER NAME: _____
 CUSTOMER APPROVAL: _____
 P.O. # _____
 DOOR MARK: _____
 SALES ORDER # _____
 GLASS THICKNESS: _____
 DATE: _____

dormakaba 
 DORMA USA, Dorma Drive, Reamstown, PA 17567-0411 PH: 800-523-8483
 DRAWING TITLE: **GP1100P-F-BP**
 © dormakaba Subject to Change Without Notice

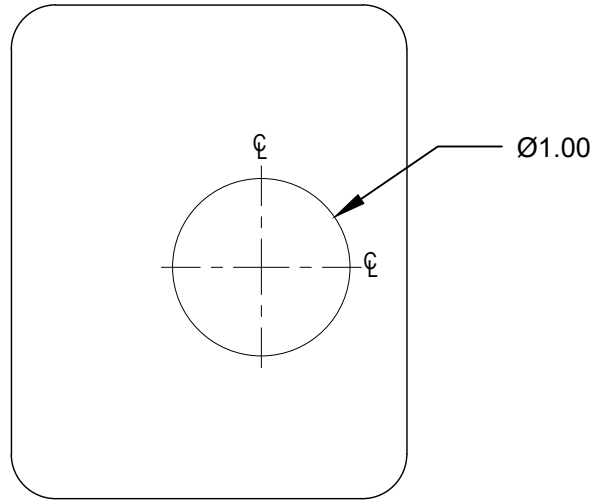
GLASS DETAILS



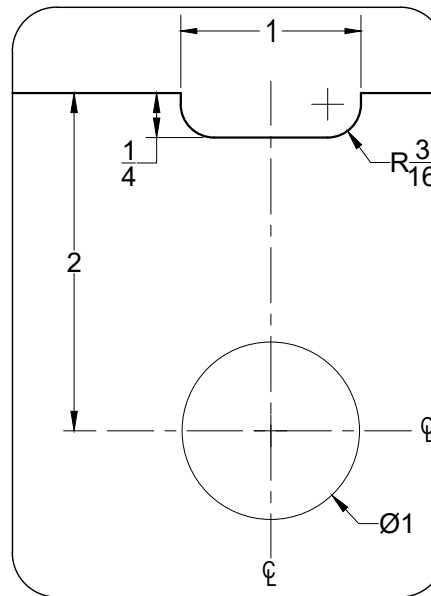
EXTERIOR ELEVATION
SCALE: 5/8" = 1'-0"

NOTES:

1. RAIL HEIGHT AND (*) DIMENSIONS PROVIDED BY CUSTOMER.
2. ALL DIMENSIONS ARE IN INCHES.
3. ALL HOLE SIZES AND LOCATIONS MUST BE HELD TO +/- 1/16"
4. DO NOT CHAMFER EDGES OF HOLES.



DETAIL "B"
SCALE: 1:1



DETAIL "C"
SCALE: 1:1

Glass Height Equation: GH = FDH - (b)

Rail Height	2-1/2"	3-5/8"	4"	6"	10"
Deduction	1.8125	2.6875	2.6875	5.0625	5.0625

FDH = FINISHED DOOR HEIGHT
 FDW = FINISHED DOOR WIDTH
 GH = GLASS HEIGHT
 GW = GLASS WIDTH
 b = BOTTOM RAIL DEDUCTION

CUSTOMER NAME:

CUSTOMER APPROVAL:

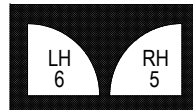
P.O. #

DOOR MARK:

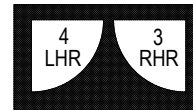
SALES ORDER #

GLASS THICKNESS:

DATE:



EXTERIOR



EXTERIOR



DORMA USA, Dorma Drive, Reamstown, PA 17567-0411 PH: 800-523-8483

DRAWING TITLE: **GP1100P-F-BP**