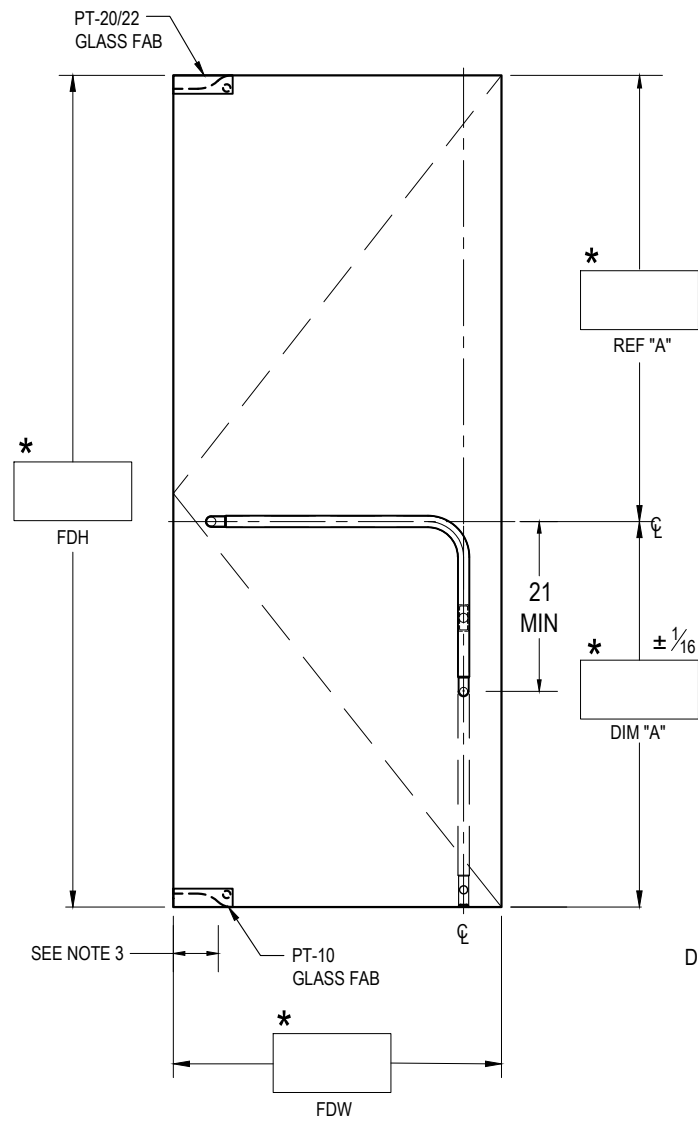
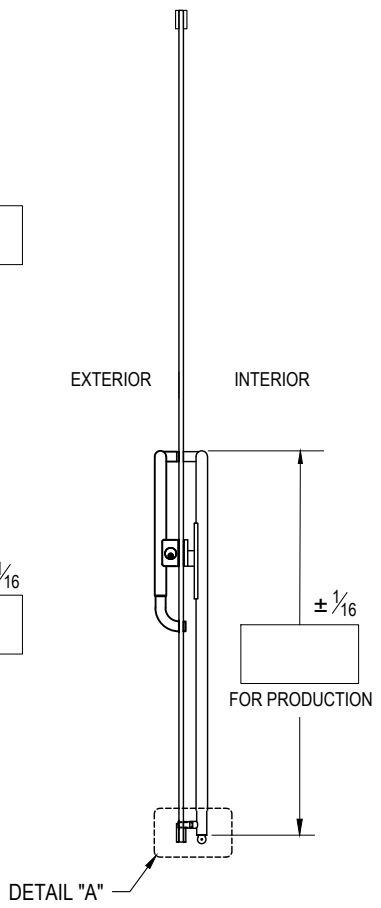


HOUSING: GP1100E EXIT PART # \_\_\_\_\_  
 HANDING: SWING #4 SHOWN/LHR EXTERIOR VIEW \_\_\_\_\_  
 TOP HARDWARE: PT20  PT22  \_\_\_\_\_  
 BOTTOM HARDWARE: PT10  \_\_\_\_\_  
 FINISH: \_\_\_\_\_  
 GLASS THICKNESS:  1/2"  3/4" QTY. OF DOORS: \_\_\_\_\_  
 NOTES: \_\_\_\_\_

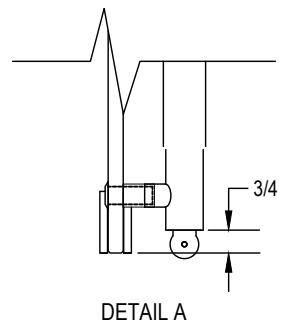
STRIKE OPTION:  
 FLOOR MOUNTED  
 THRESHOLD MOUNTED  
 THRESHOLD WIDTH \_\_\_\_\_



EXTERIOR ELEVATION  
 SCALE: 5/8" = 1'-0"



SECTION  
 SCALE: 5/8" = 1'-0"

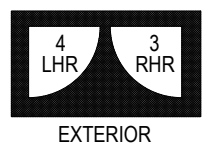
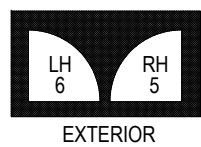


FDH = FINISHED DOOR HEIGHT  
 FDW = FINISHED DOOR WIDTH  
 GH = GLASS HEIGHT  
 GW = GLASS WIDTH

CUSTOMER NAME: \_\_\_\_\_  
 CUSTOMER APPROVAL: \_\_\_\_\_  
 P.O. # \_\_\_\_\_  
 DOOR MARK: \_\_\_\_\_  
 SALES ORDER # \_\_\_\_\_  
 GLASS THICKNESS: \_\_\_\_\_  
 DATE: \_\_\_\_\_

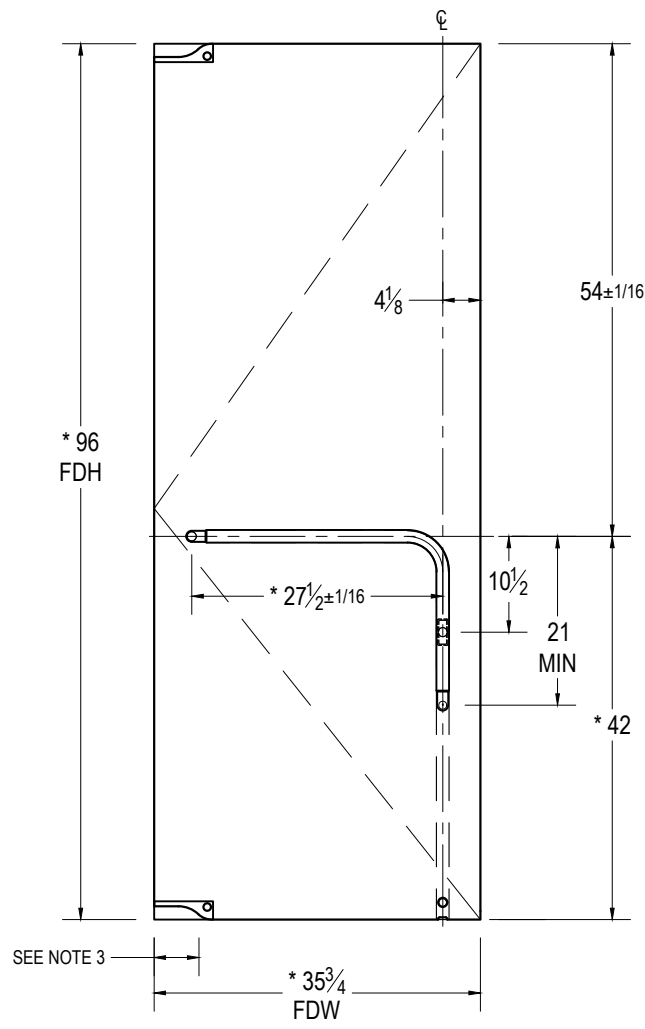
**dormakaba**   
 DORMA USA, Dorma Drive, Reamstown, PA 17567-0411 PH: 800-523-8483  
 DRAWING TITLE: **GP1100P-E-A**

- NOTES:
- (\*) DIMENSIONS PROVIDED BY CUSTOMER.
  - ALL DIMENSIONS ARE IN INCHES.
  - NOTE PIVOT REFERENCE DIMENSIONS:
    - 2-3/4" FROM SIDELITE & FRAME
    - 3-1/2" FROM WALL.

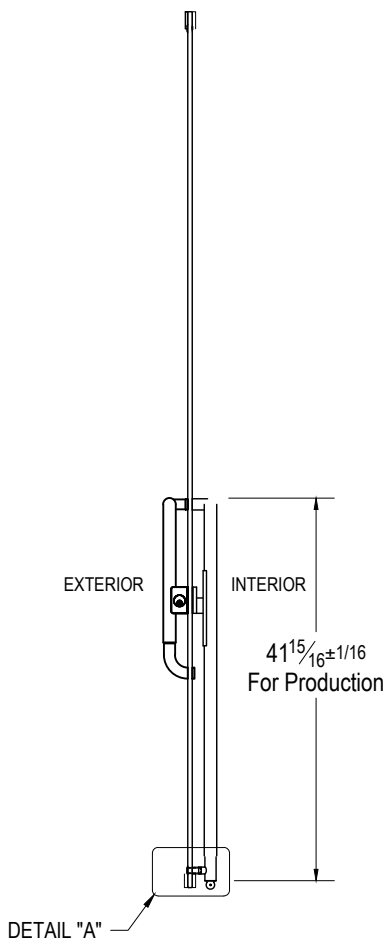


HOUSING: GP1100E EXIT PART # \_\_\_\_\_  
 HANDING: SWING #4 SHOWN/LHR EXTERIOR VIEW \_\_\_\_\_  
 TOP HARDWARE: PT20  PT22  \_\_\_\_\_  
 BOTTOM HARDWARE: PT10  \_\_\_\_\_  
 FINISH: \_\_\_\_\_  
 GLASS THICKNESS:  1/2"  3/4" QTY. OF DOORS: \_\_\_\_\_  
 NOTES: \_\_\_\_\_

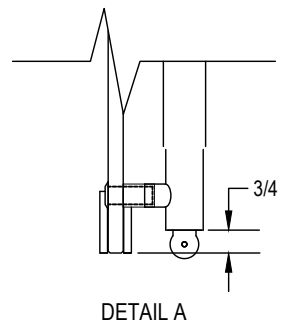
STRIKE OPTION:  
 FLOOR MOUNTED  
 THRESHOLD MOUNTED  
 THRESHOLD WIDTH \_\_\_\_\_



EXTERIOR ELEVATION  
 SCALE: 5/8" = 1'-0"



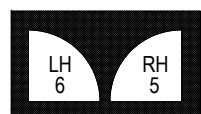
SECTION  
 SCALE: 5/8" = 1'-0"



FDH = FINISHED DOOR HEIGHT  
 FDW = FINISHED DOOR WIDTH  
 GH = GLASS HEIGHT  
 GW = GLASS WIDTH

NOTES:

1. (\*) DIMENSIONS PROVIDED BY CUSTOMER.
2. ALL DIMENSIONS ARE IN INCHES.
3. NOTE PIVOT REFERENCE DIMENSIONS:
  - 2-3/4" FROM SIDELITE & FRAME
  - 3-1/2" FROM WALL.



EXTERIOR



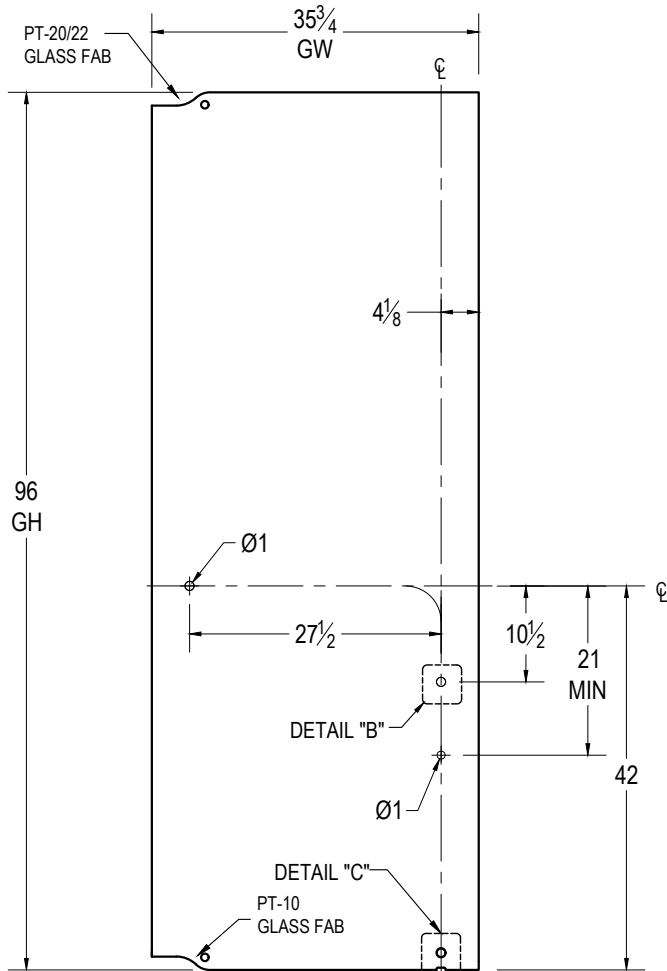
EXTERIOR

CUSTOMER NAME: \_\_\_\_\_  
 CUSTOMER APPROVAL: \_\_\_\_\_  
 P.O. # \_\_\_\_\_  
 DOOR MARK: \_\_\_\_\_  
 SALES ORDER # \_\_\_\_\_  
 GLASS THICKNESS: \_\_\_\_\_  
 DATE: \_\_\_\_\_

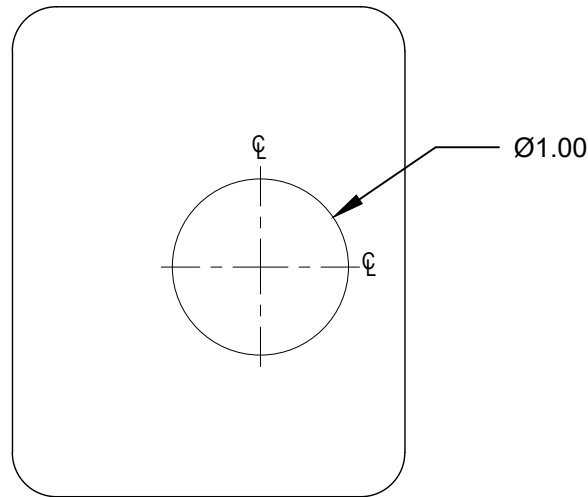
**dormakaba**  
 DORMA USA, Dorma Drive, Reamstown, PA 17567-0411 PH: 800-523-8483

DRAWING TITLE: **GP1100P-E-A**

# GLASS DETAILS

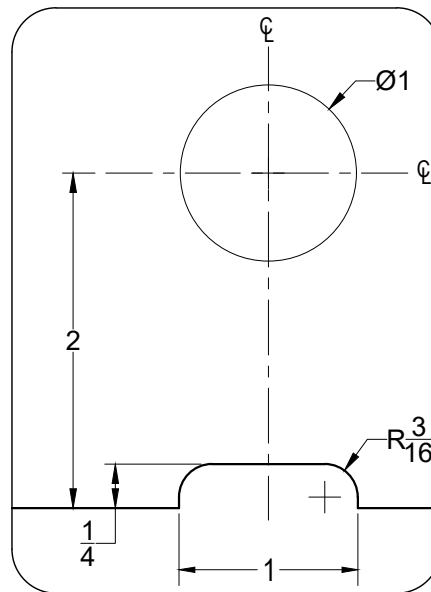


EXTERIOR ELEVATION  
SCALE: 5/8" = 1'-0"



DETAIL "B"

SCALE: 1:1



DETAIL "C"

SCALE: 1:1

FDH = FINISHED DOOR HEIGHT  
FDW = FINISHED DOOR WIDTH  
GH = GLASS HEIGHT  
GW = GLASS WIDTH

CUSTOMER NAME:

CUSTOMER APPROVAL:

P.O. #

DOOR MARK:

SALES ORDER #

GLASS THICKNESS:

DATE:

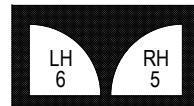
**dormakaba**

DORMA USA, Dorma Drive, Reamstown, PA 17567-0411 PH: 800-523-8483

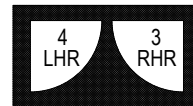
DRAWING TITLE: **GP1100P-E-A**

NOTES:

1. (\*) DIMENSIONS PROVIDED BY CUSTOMER.
2. ALL DIMENSIONS ARE IN INCHES.
3. ALL HOLE SIZES AND LOCATIONS MUST BE HELD TO +/- 1/16"
4. DO NOT CHAMFER EDGES OF HOLES.



EXTERIOR



EXTERIOR