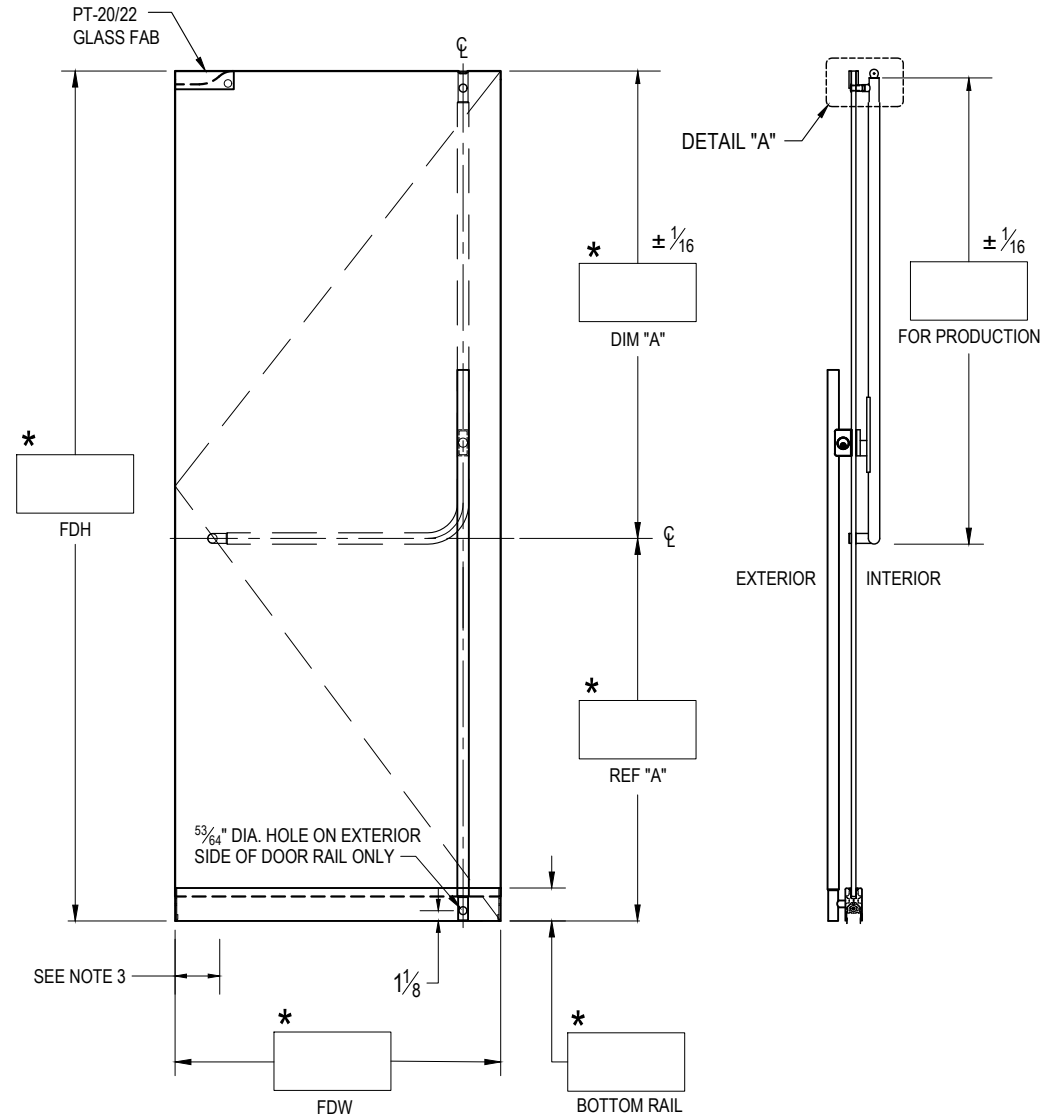


HOUSING: GP1000MS EXIT PART #  
 HANDING: SWING #4 SHOWN/LHR EXTERIOR VIEW  
 TOP HARDWARE:  PT20  PT22  
 BOTTOM RAIL:  2-1/2"  3-5/8"  4"  6"  10"  
 FINISH: \_\_\_\_\_  
 GLASS THICKNESS:  1/2"  3/4" QTY. OF DOORS: \_\_\_\_\_  
 NOTES: \_\_\_\_\_

STRIKE OPTION:  
 FLOOR MOUNTED  
 THRESHOLD MOUNTED  
 THRESHOLD WIDTH \_\_\_\_\_



FDH = FINISHED DOOR HEIGHT  
 FDW = FINISHED DOOR WIDTH  
 GH = GLASS HEIGHT  
 GW = GLASS WIDTH  
 b = BOTTOM RAIL DEDUCTION

EXTERIOR ELEVATION  
 SCALE: 5/8" = 1'-0"

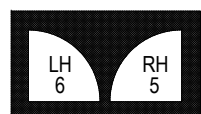
SECTION  
 SCALE: 5/8" = 1'-0"

CUSTOMER NAME: \_\_\_\_\_  
 CUSTOMER APPROVAL: \_\_\_\_\_  
 P.O. # \_\_\_\_\_  
 DOOR MARK: \_\_\_\_\_  
 SALES ORDER # \_\_\_\_\_  
 GLASS THICKNESS: \_\_\_\_\_  
 DATE: \_\_\_\_\_

**dormakaba**   
 DORMA USA, Dorma Drive, Reamstown, PA 17567-0411 PH: 800-523-8483  
 DRAWING TITLE: **GP1000P-MS-BP**

NOTES:

1. RAIL HEIGHT AND (\*) DIMENSIONS PROVIDED BY CUSTOMER.
2. ALL DIMENSIONS ARE IN INCHES.
3. NOTE PIVOT REFERENCE DIMENSIONS:
  - 2-3/4" FROM SIDELITE & FRAME
  - 3-1/2" FROM WALL.



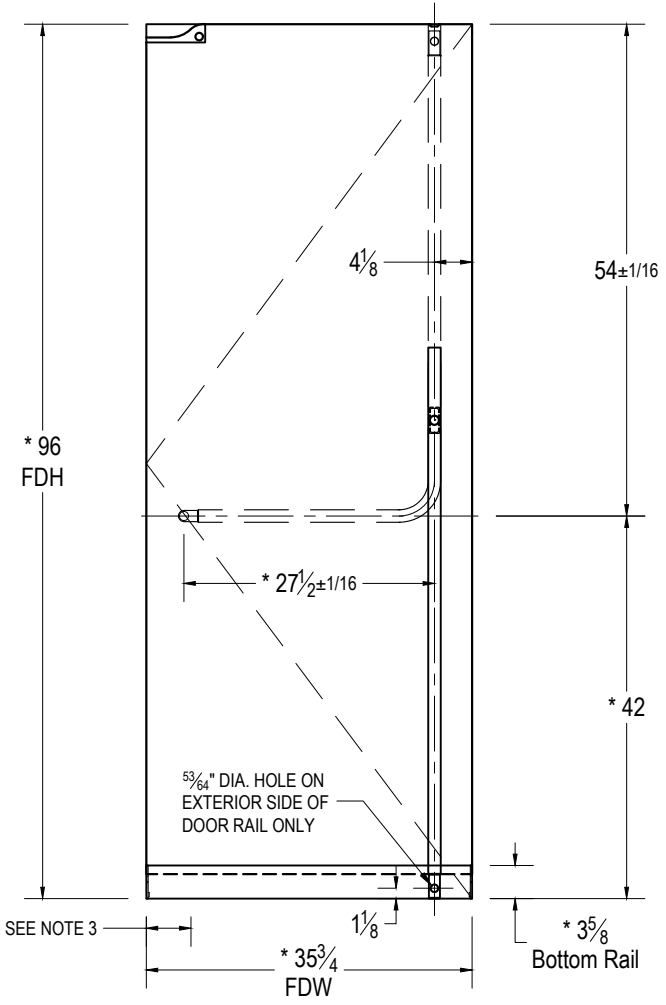
EXTERIOR



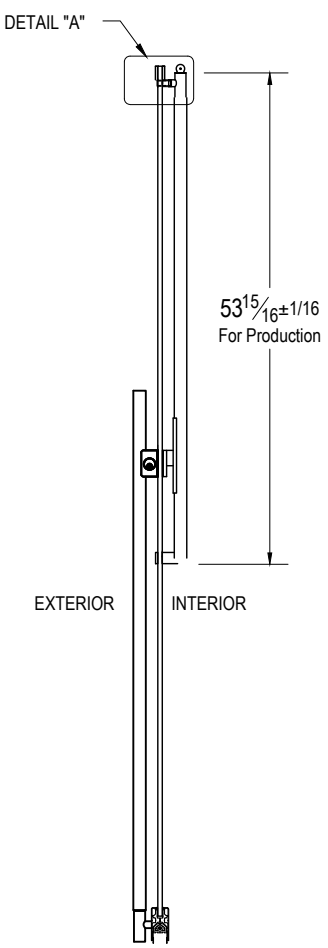
EXTERIOR

HOUSING: GP1000MS EXIT PART #  
 HANDING: SWING #4 SHOWN/LHR EXTERIOR VIEW  
 TOP HARDWARE:  PT20  PT22  
 BOTTOM RAIL:  2-1/2"  3-5/8"  4"  6"  10"  
 FINISH: \_\_\_\_\_  
 GLASS THICKNESS:  1/2"  3/4" QTY. OF DOORS: \_\_\_\_\_  
 NOTES: \_\_\_\_\_

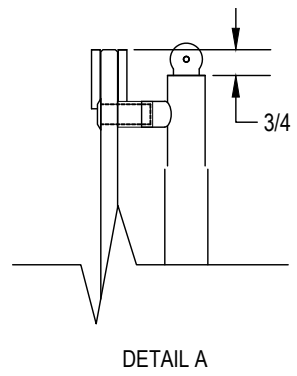
STRIKE OPTION:  
 FLOOR MOUNTED  
 THRESHOLD MOUNTED  
 THRESHOLD WIDTH \_\_\_\_\_



**EXTERIOR ELEVATION**  
 SCALE: 5/8" = 1'-0"



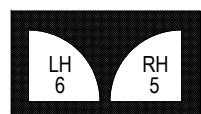
**SECTION**  
 SCALE: 5/8" = 1'-0"



FDH = FINISHED DOOR HEIGHT  
 FDW = FINISHED DOOR WIDTH  
 GH = GLASS HEIGHT  
 GW = GLASS WIDTH  
 b = BOTTOM RAIL DEDUCTION

**NOTES:**

1. RAIL HEIGHT AND (\*) DIMENSIONS PROVIDED BY CUSTOMER.
2. ALL DIMENSIONS ARE IN INCHES.
3. NOTE PIVOT REFERENCE DIMENSIONS:
  - 2-3/4" FROM SIDELITE & FRAME
  - 3-1/2" FROM WALL.



EXTERIOR

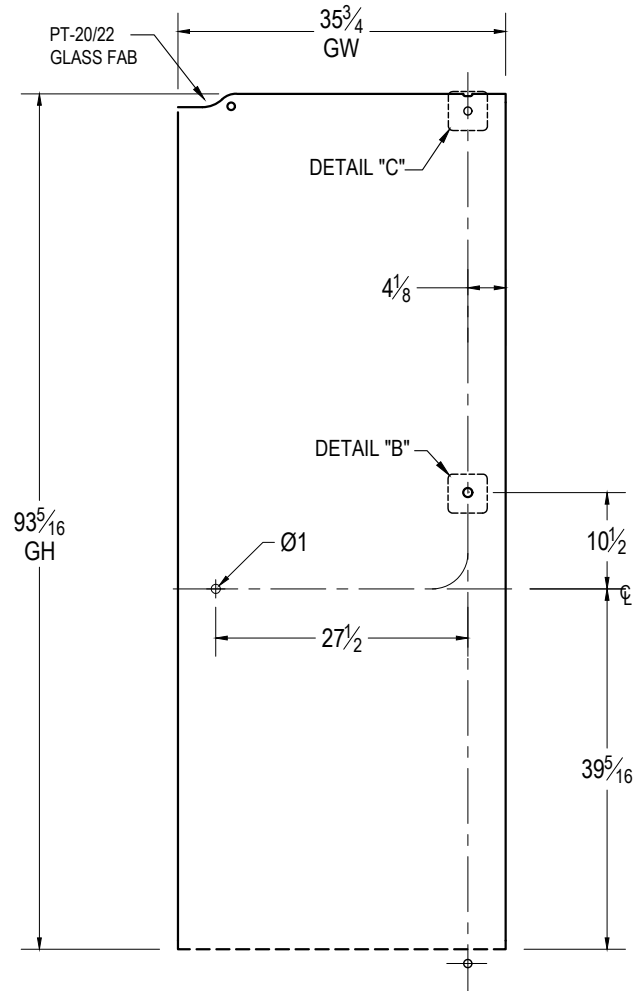


EXTERIOR

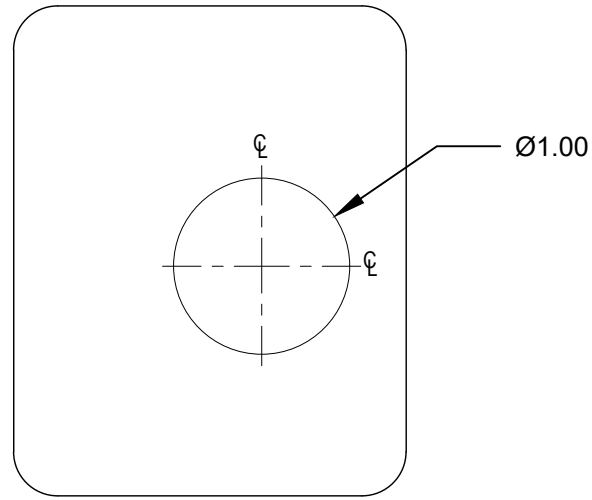
CUSTOMER NAME: \_\_\_\_\_  
 CUSTOMER APPROVAL: \_\_\_\_\_  
 P.O. # \_\_\_\_\_  
 DOOR MARK: \_\_\_\_\_  
 SALES ORDER # \_\_\_\_\_  
 GLASS THICKNESS: \_\_\_\_\_  
 DATE: \_\_\_\_\_

**dormakaba**  
 DORMA USA, Dorma Drive, Reamstown, PA 17567-0411 PH: 800-523-8483  
 DRAWING TITLE: **GP1000P-MS-BP**

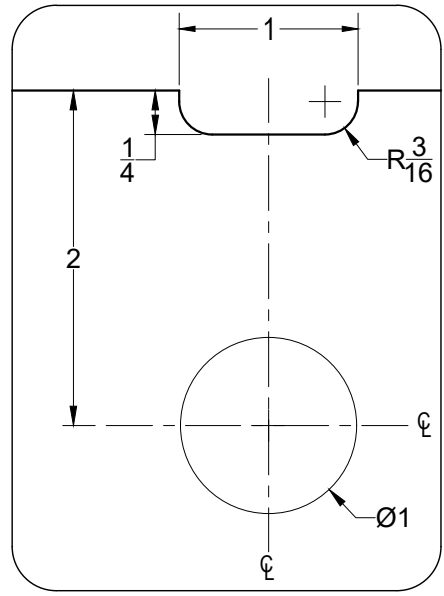
# GLASS DETAILS



EXTERIOR ELEVATION  
SCALE: 5/8" = 1'-0"



DETAIL "B"  
SCALE: 1:1



DETAIL "C"  
SCALE: 1:1

**Glass Height Equation: GH = FDH - (b)**

Rail Height	2-1/2"	3-5/8"	4"	6"	10"
Deduction	1.8125	2.6875	2.6875	5.0625	5.0625

FDH = FINISHED DOOR HEIGHT  
 FDW = FINISHED DOOR WIDTH  
 GH = GLASS HEIGHT  
 GW = GLASS WIDTH  
 b = BOTTOM RAIL DEDUCTION

CUSTOMER NAME:

CUSTOMER APPROVAL:

P.O. #

DOOR MARK:

SALES ORDER #

GLASS THICKNESS:

DATE:

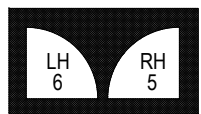
**dormakaba**

DORMA USA, Dorma Drive, Reamstown, PA 17567-0411 PH: 800-523-8483

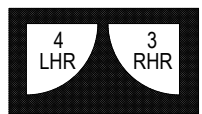
DRAWING TITLE: **GP1000P-MS-BP**

**NOTES:**

1. RAIL HEIGHT AND (\*) DIMENSIONS PROVIDED BY CUSTOMER.
2. ALL DIMENSIONS ARE IN INCHES.
3. ALL HOLE SIZES AND LOCATIONS MUST BE HELD TO +/- 1/16"
4. DO NOT CHAMFER EDGES OF HOLES.



EXTERIOR



EXTERIOR