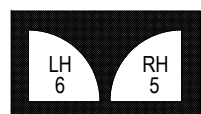


EXTERIOR ELEVATION
SCALE: 5/8" = 1'-0"

SECTION
SCALE: 5/8" = 1'-0"

NOTES:

1. (*) DIMENSIONS PROVIDED BY CUSTOMER.
2. ALL DIMENSIONS ARE IN INCHES.
3. NOTE PIVOT REFERENCE DIMENSIONS:
 - 2-3/4" FROM SIDELITE & FRAME
 - 3-1/2" FROM WALL.



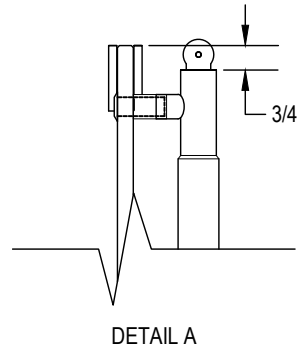
EXTERIOR



EXTERIOR


HOUSING: GP1000H EXIT PART # _____
 HANDING: SWING #4 SHOWN/LHR EXTERIOR VIEW _____
 TOP HARDWARE: PT20 PT22 _____
 BOTTOM HARDWARE: PT10 _____
 FINISH: _____
 GLASS THICKNESS: 1/2" 3/4" QTY. OF DOORS: _____
 NOTES: _____

STRIKE OPTION:
 FLOOR MOUNTED
 THRESHOLD MOUNTED
 THRESHOLD WIDTH _____



FDH = FINISHED DOOR HEIGHT
 FDW = FINISHED DOOR WIDTH
 GH = GLASS HEIGHT
 GW = GLASS WIDTH

CUSTOMER NAME: _____
 CUSTOMER APPROVAL: _____
 P.O. # _____
 DOOR MARK: _____
 SALES ORDER # _____
 GLASS THICKNESS: _____
 DATE: _____

dormakaba 

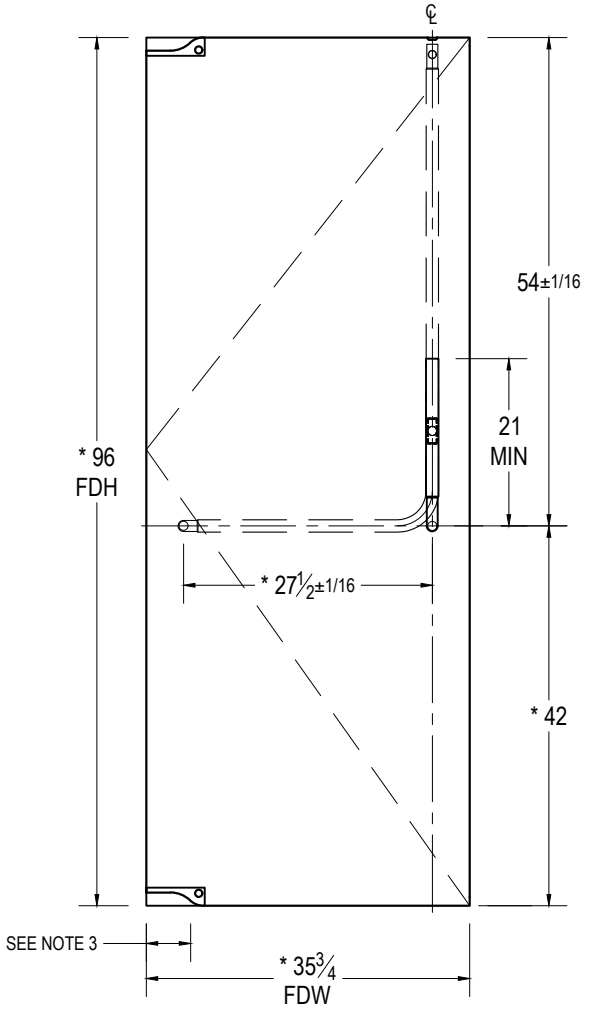
DORMA USA, Dorma Drive, Reamstown, PA 17567-0411 PH: 800-523-8483

DRAWING TITLE: **GP1000P-H-A**

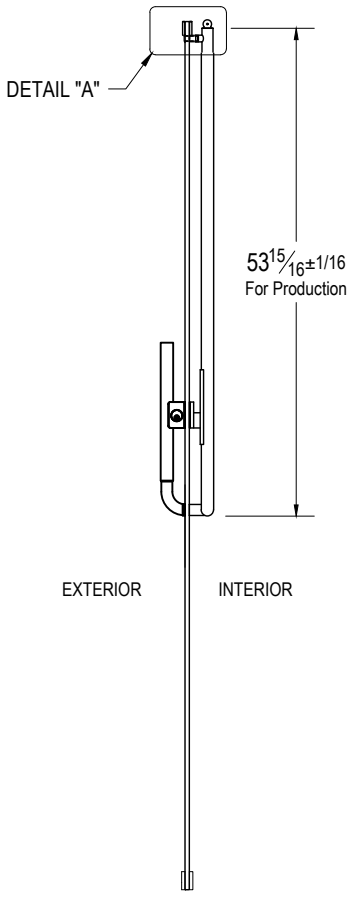
© dormakaba Subject to Change Without Notice

HOUSING: GP1000H EXIT PART # _____
 HANDING: SWING #4 SHOWN/LHR EXTERIOR VIEW _____
 TOP HARDWARE: PT20 PT22 _____
 BOTTOM HARDWARE: PT10 _____
 FINISH: _____
 GLASS THICKNESS: 1/2" 3/4" QTY. OF DOORS: _____
 NOTES: _____

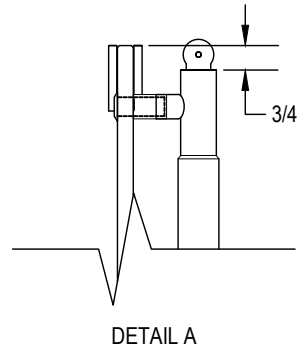
STRIKE OPTION:
 FLOOR MOUNTED
 THRESHOLD MOUNTED
 THRESHOLD WIDTH _____



EXTERIOR ELEVATION
 SCALE: 5/8" = 1'-0"



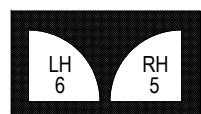
SECTION
 SCALE: 5/8" = 1'-0"



FDH = FINISHED DOOR HEIGHT
 FDW = FINISHED DOOR WIDTH
 GH = GLASS HEIGHT
 GW = GLASS WIDTH

NOTES:

1. (*) DIMENSIONS PROVIDED BY CUSTOMER.
2. ALL DIMENSIONS ARE IN INCHES.
3. NOTE PIVOT REFERENCE DIMENSIONS:
 - 2-3/4" FROM SIDELITE & FRAME
 - 3-1/2" FROM WALL.



EXTERIOR



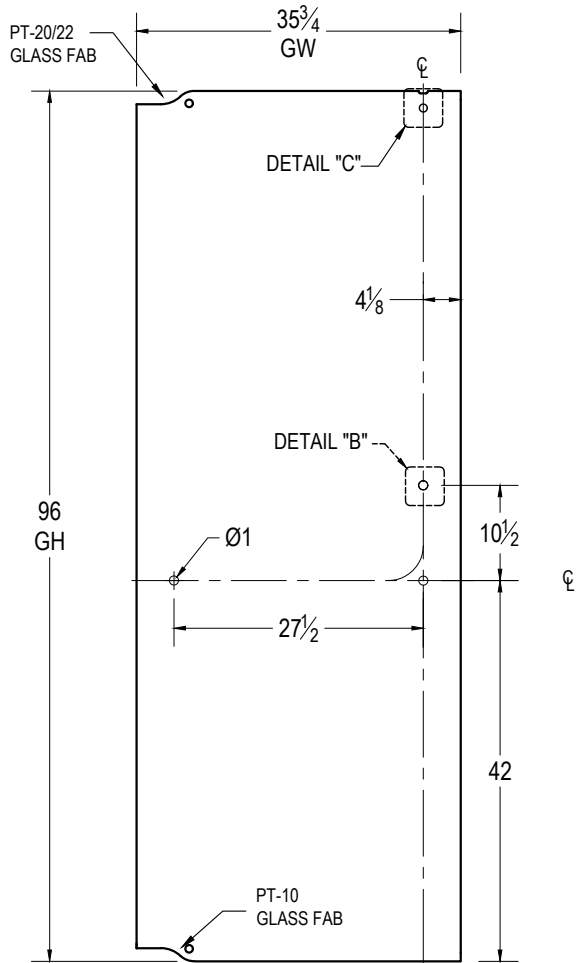
EXTERIOR

CUSTOMER NAME: _____
 CUSTOMER APPROVAL: _____
 P.O. # _____
 DOOR MARK: _____
 SALES ORDER # _____
 GLASS THICKNESS: _____
 DATE: _____

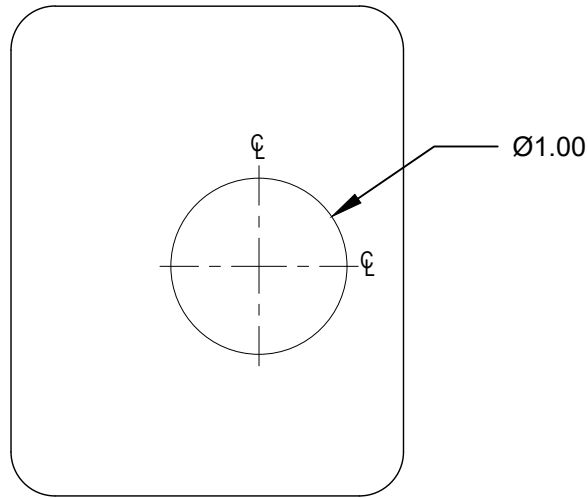
dormakaba
 DORMA USA, Dorma Drive, Reamstown, PA 17567-0411 PH: 800-523-8483

DRAWING TITLE: **GP1000P-H-A**

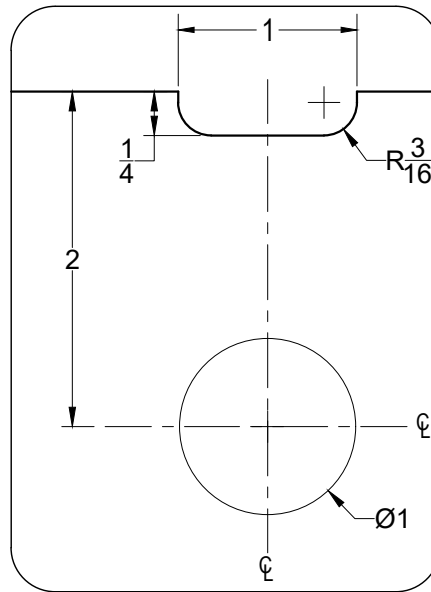
GLASS DETAILS



EXTERIOR ELEVATION
SCALE: 5/8" = 1'-0"



DETAIL "B"
SCALE: 1:1



DETAIL "C"
SCALE: 1:1

FDH = FINISHED DOOR HEIGHT
FDW = FINISHED DOOR WIDTH
GH = GLASS HEIGHT
GW = GLASS WIDTH

CUSTOMER NAME:

CUSTOMER APPROVAL:

P.O. #

DOOR MARK:

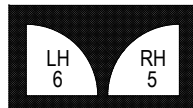
SALES ORDER #

GLASS THICKNESS:

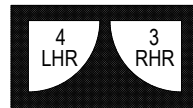
DATE:

NOTES:

- (*) DIMENSIONS PROVIDED BY CUSTOMER.
- ALL DIMENSIONS ARE IN INCHES.
- ALL HOLE SIZES AND LOCATIONS MUST BE HELD TO +/- 1/16"
- DO NOT CHAMFER EDGES OF HOLES.



EXTERIOR



EXTERIOR

dormakaba

DORMA USA, Dorma Drive, Reamstown, PA 17567-0411 PH: 800-523-8483

DRAWING TITLE: **GP1000P-H-A**