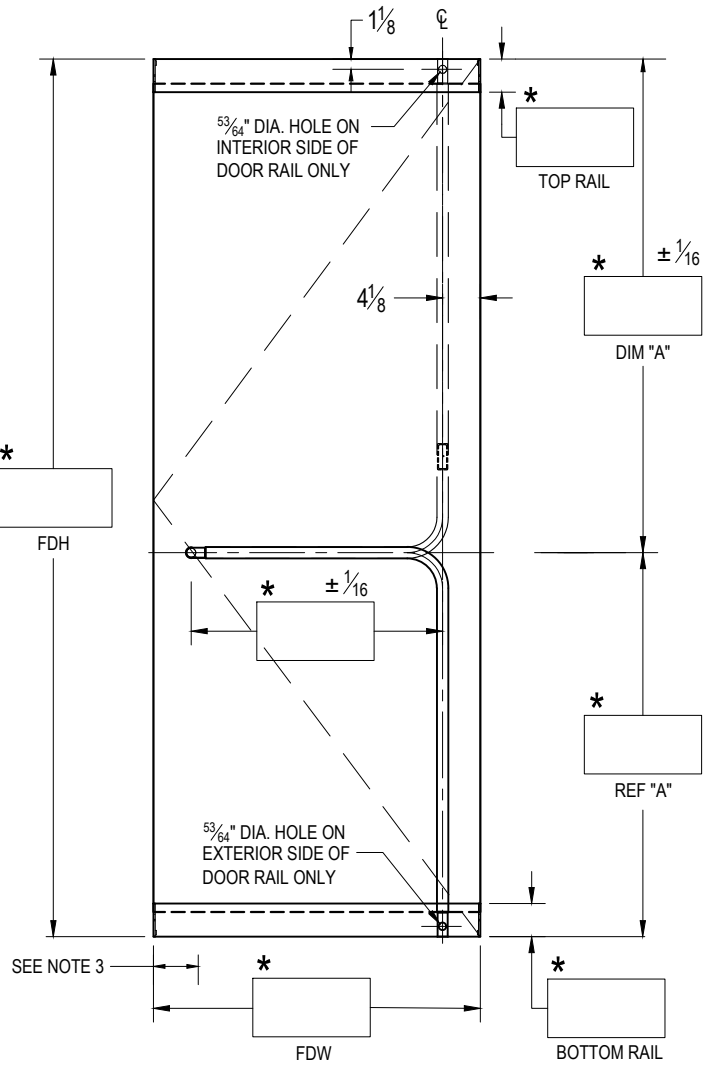
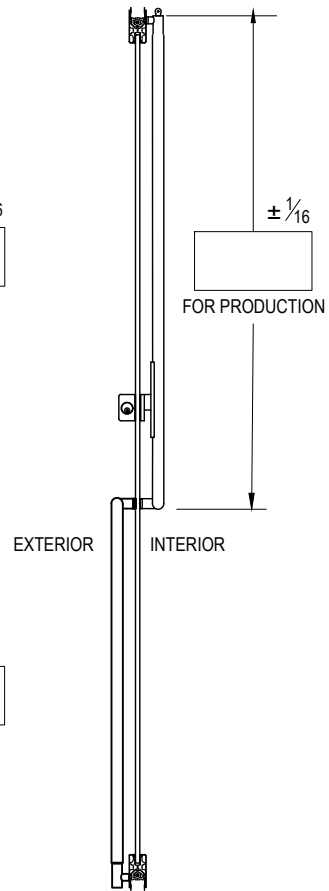


HOUSING: GP1000C EXIT PART # _____
 HANDING: SWING #4 SHOWN/LHR EXTERIOR VIEW _____
 TOP RAIL: 2-1/2" 3-5/8" 4" 6" 10" _____
 BOTTOM RAIL: 2-1/2" 3-5/8" 4" 6" 10" _____
 FINISH: _____
 GLASS THICKNESS: 1/2" 3/4" QTY. OF DOORS: _____
 NOTES: _____

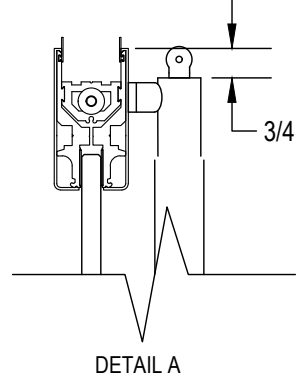
STRIKE OPTION:
 MANUAL S1-GP1000 (SINGLE)
 MANUAL S2-GP1000 (DOUBLE)
 ELECTRIC ES1-GP1000 (SINGLE)
 ELECTRIC ES2-GP1000 (DOUBLE)
 FOLGER ADAM: _____
 KEY OPTION: _____
 ELECTRIC STRIKE ES2-3
 (1 MANUAL, 1 ELECTRIC STRIKE)



EXTERIOR ELEVATION
 SCALE: 5/8" = 1'-0"



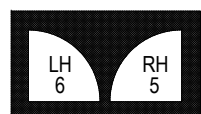
SECTION
 SCALE: 5/8" = 1'-0"



FDH = FINISHED DOOR HEIGHT
 FDW = FINISHED DOOR WIDTH
 GH = GLASS HEIGHT
 GW = GLASS WIDTH
 a = TOP RAIL DEDUCTION
 b = BOTTOM RAIL DEDUCTION

NOTES:

1. RAIL HEIGHTS AND (*) DIMENSIONS PROVIDED BY CUSTOMER.
2. ALL DIMENSIONS ARE IN INCHES.
3. NOTE PIVOT REFERENCE DIMENSIONS:
 - 2-3/4" FROM SIDELITE & FRAME
 - 3-1/2" FROM WALL.



EXTERIOR

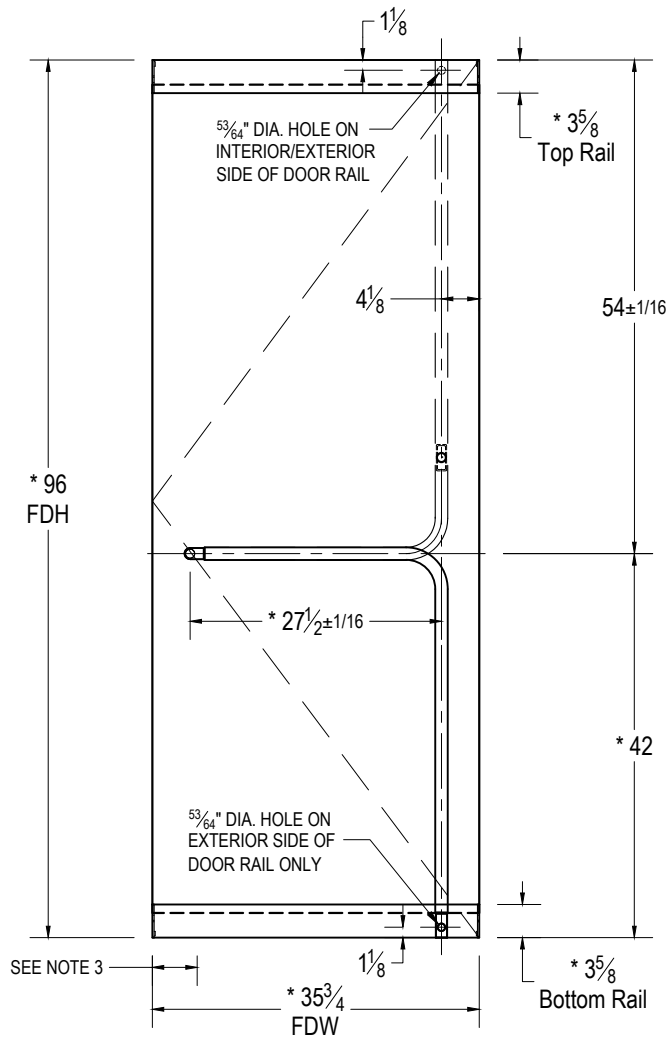


EXTERIOR

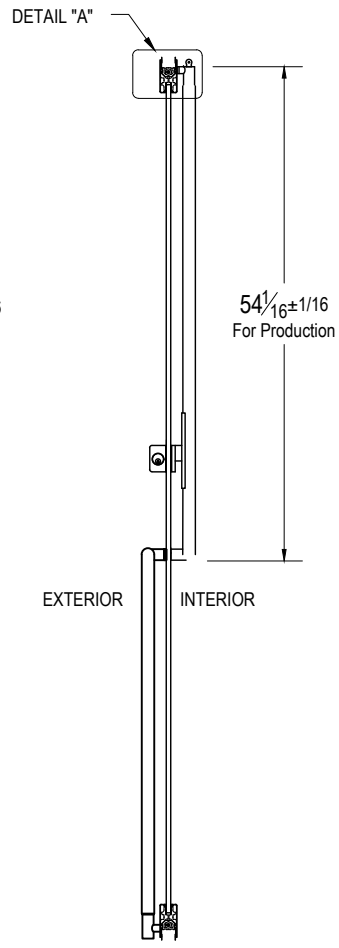
CUSTOMER NAME: _____
 CUSTOMER APPROVAL: _____
 P.O. # _____
 DOOR MARK: _____
 SALES ORDER # _____
 GLASS THICKNESS: _____
 DATE: _____

dormakaba
 DORMA USA, Dorma Drive, Reamstown, PA 17567-0411 PH: 800-523-8483

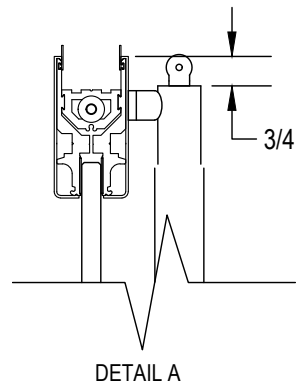
DRAWING TITLE: **GP1000P-C-P**



EXTERIOR ELEVATION
SCALE: 5/8" = 1'-0"



SECTION
SCALE: 5/8" = 1'-0"



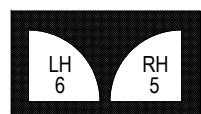
- STRIKE OPTION:
- MANUAL S1-GP1000 (SINGLE)
 - MANUAL S2-GP1000 (DOUBLE)
 - ELECTRIC ES1-GP1000 (SINGLE)
 - ELECTRIC ES2-GP1000 (DOUBLE)
 - FOLGER ADAM: _____
 - KEY OPTION: _____
 - ELECTRIC STRIKE ES2-3
(1 MANUAL, 1 ELECTRIC STRIKE)

FDH = FINISHED DOOR HEIGHT
FDW = FINISHED DOOR WIDTH
GH = GLASS HEIGHT
GW = GLASS WIDTH
a = TOP RAIL DEDUCTION
b = BOTTOM RAIL DEDUCTION

HOUSING: GP1000C EXIT PART # _____
 HANDING: SWING #4 SHOWN/LHR EXTERIOR VIEW
 TOP RAIL: 2-1/2" 3-5/8" 4" 6" 10"
 BOTTOM RAIL: 2-1/2" 3-5/8" 4" 6" 10"
 FINISH: _____
 GLASS THICKNESS: 1/2" 3/4" QTY. OF DOORS: _____
 NOTES: _____

NOTES:

1. RAIL HEIGHTS AND (*) DIMENSIONS PROVIDED BY CUSTOMER.
2. ALL DIMENSIONS ARE IN INCHES.
3. NOTE PIVOT REFERENCE DIMENSIONS:
 - 2-3/4" FROM SIDELITE & FRAME
 - 3-1/2" FROM WALL.




EXTERIOR



EXTERIOR

CUSTOMER NAME: _____
 CUSTOMER APPROVAL: _____
 P.O. # _____
 DOOR MARK: _____
 SALES ORDER # _____
 GLASS THICKNESS: _____
 DATE: _____

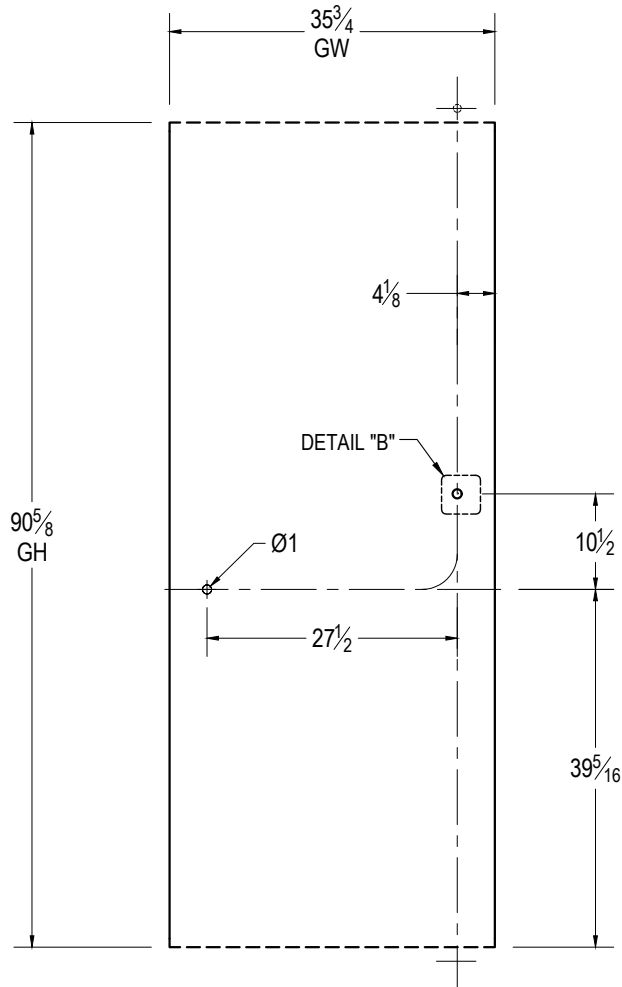
dormakaba 

DORMA USA, Dorma Drive, Reamstown, PA 17567-0411 PH: 800-523-8483

DRAWING TITLE: **GP1000P-C-P**

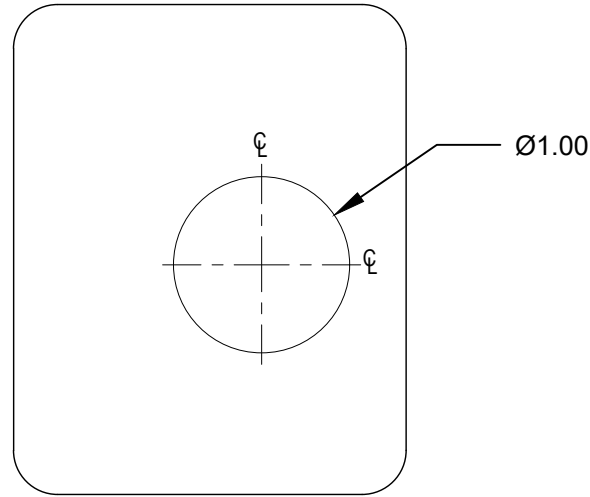
© dormakaba Subject to Change Without Notice

GLASS DETAILS



EXTERIOR ELEVATION

SCALE: 5/8" = 1'-0"



DETAIL "B"

SCALE: 1:1

| Glass Height Equation: $GH = FDH - (a+b)$ | | | | | |
|---|--------|--------|--------|--------|--------|
| Rail Height | 2-1/2" | 3-5/8" | 4" | 6" | 10" |
| Deduction | 1.8125 | 2.6875 | 2.6875 | 5.0625 | 5.0625 |

FDH = FINISHED DOOR HEIGHT
 FDW = FINISHED DOOR WIDTH
 GH = GLASS HEIGHT
 GW = GLASS WIDTH
 a = TOP RAIL DEDUCTION
 b = BOTTOM RAIL DEDUCTION

CUSTOMER NAME:

CUSTOMER APPROVAL:

P.O. #

DOOR MARK:

SALES ORDER #

GLASS THICKNESS:

DATE:

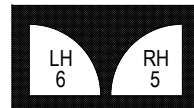


DORMA USA, Dorma Drive, Reamstown, PA 17567-0411 PH: 800-523-8483

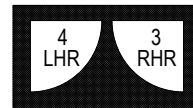
DRAWING TITLE: **GP1000P-C-P**

NOTES:

1. RAIL HEIGHTS AND (*) DIMENSIONS PROVIDED BY CUSTOMER.
2. ALL DIMENSIONS ARE IN INCHES.
3. ALL HOLE SIZES AND LOCATIONS MUST BE HELD TO +/- 1/16"
4. DO NOT CHAMFER EDGES OF HOLES.



EXTERIOR



EXTERIOR