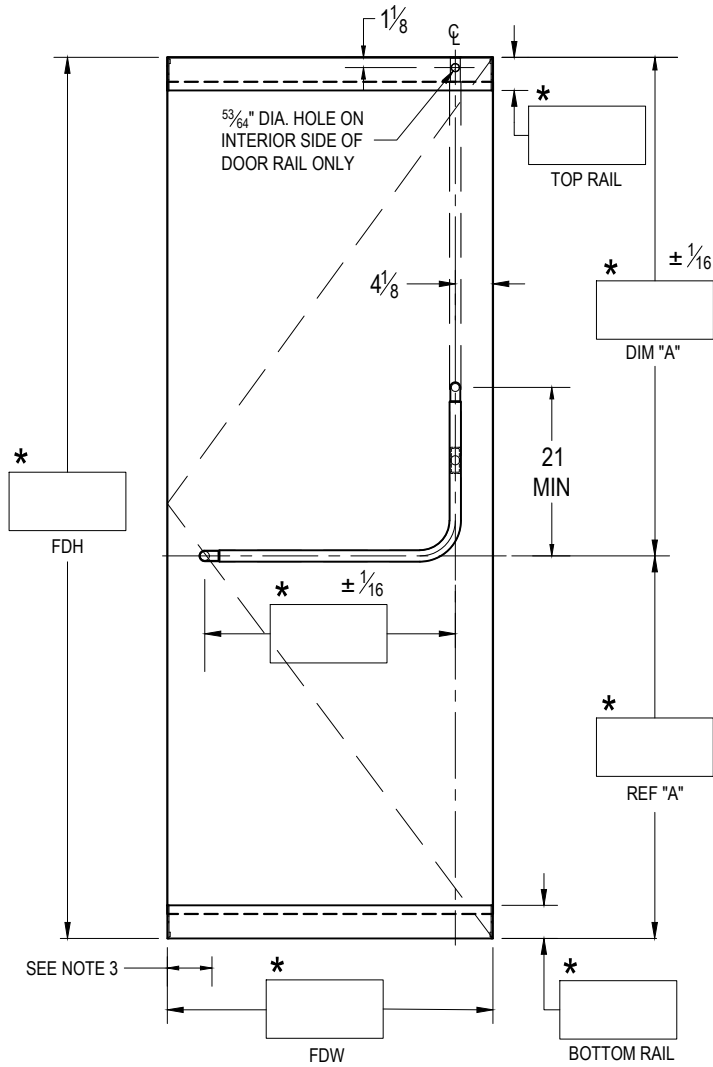
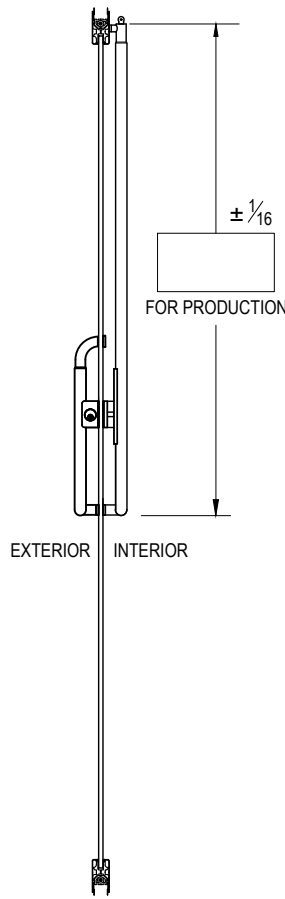


HOUSING: GP1000B EXIT PART # \_\_\_\_\_  
 HANDING: SWING #4 SHOWN/LHR EXTERIOR VIEW \_\_\_\_\_  
 TOP RAIL:  2-1/2"  3-5/8"  4"  6"  10" \_\_\_\_\_  
 BOTTOM RAIL:  2-1/2"  3-5/8"  4"  6"  10" \_\_\_\_\_  
 FINISH: \_\_\_\_\_  
 GLASS THICKNESS:  1/2"  3/4" QTY. OF DOORS: \_\_\_\_\_  
 NOTES: \_\_\_\_\_

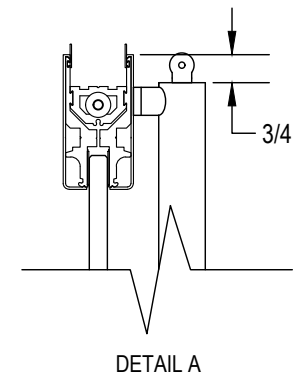
STRIKE OPTION:  
 MANUAL S1-GP1000 (SINGLE)  
 MANUAL S2-GP1000 (DOUBLE)  
 ELECTRIC ES1-GP1000 (SINGLE)  
 ELECTRIC ES2-GP1000 (DOUBLE)  
 FOLGER ADAM: \_\_\_\_\_  
 KEY OPTION: \_\_\_\_\_  
 ELECTRIC STRIKE ES2-3  
 (1 MANUAL, 1 ELECTRIC STRIKE)



EXTERIOR ELEVATION  
 SCALE: 5/8" = 1'-0"




SECTION  
 SCALE: 5/8" = 1'-0"

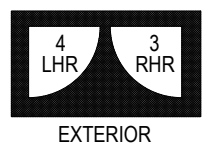
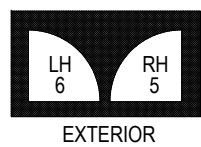


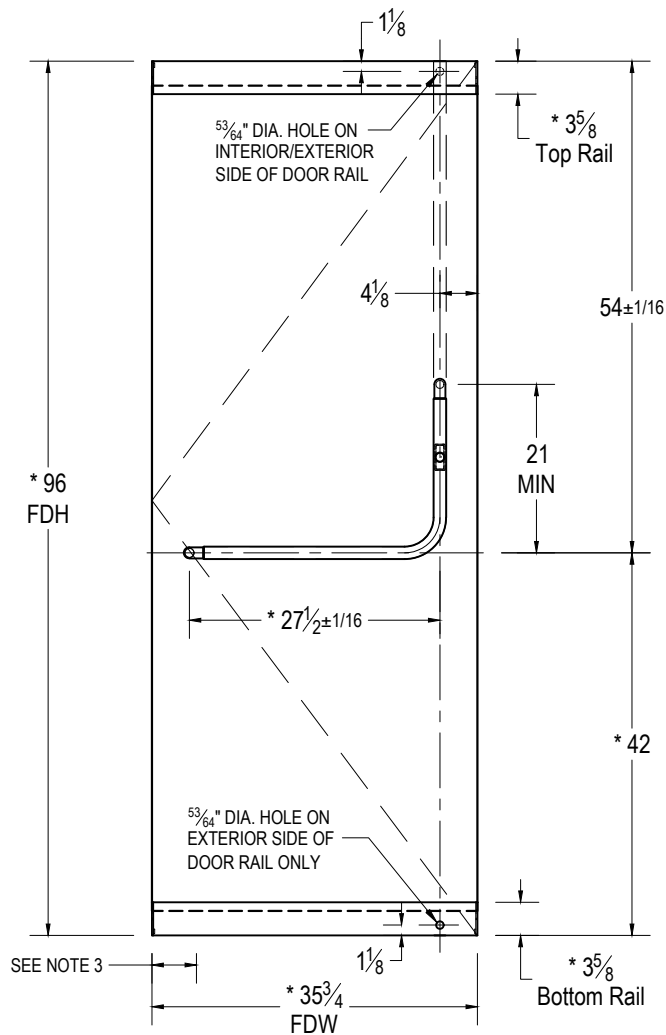
FDH = FINISHED DOOR HEIGHT  
 FDW = FINISHED DOOR WIDTH  
 GH = GLASS HEIGHT  
 GW = GLASS WIDTH  
 a = TOP RAIL DEDUCTION  
 b = BOTTOM RAIL DEDUCTION

CUSTOMER NAME: \_\_\_\_\_  
 CUSTOMER APPROVAL: \_\_\_\_\_  
 P.O. # \_\_\_\_\_  
 DOOR MARK: \_\_\_\_\_  
 SALES ORDER # \_\_\_\_\_  
 GLASS THICKNESS: \_\_\_\_\_  
 DATE: \_\_\_\_\_

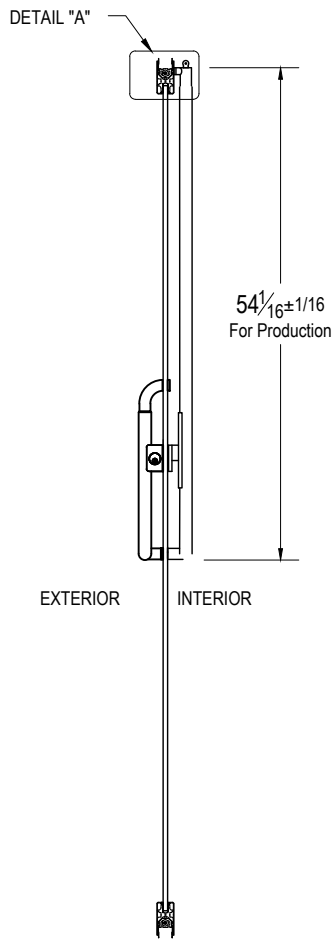
**dormakaba**   
 DORMA USA, Dorma Drive, Reamstown, PA 17567-0411 PH: 800-523-8483  
 DRAWING TITLE: **GP1000P-B-P**

- NOTES:
- RAIL HEIGHTS AND (\*) DIMENSIONS PROVIDED BY CUSTOMER.
  - ALL DIMENSIONS ARE IN INCHES.
  - NOTE PIVOT REFERENCE DIMENSIONS:
    - 2-3/4" FROM SIDELITE & FRAME
    - 3-1/2" FROM WALL.

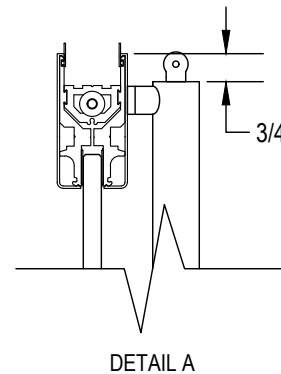




EXTERIOR ELEVATION  
SCALE: 5/8" = 1'-0"



SECTION  
SCALE: 5/8" = 1'-0"



STRIKE OPTION:

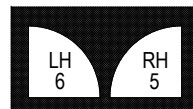
- MANUAL S1-GP1000 (SINGLE)
- MANUAL S2-GP1000 (DOUBLE)
- ELECTRIC ES1-GP1000 (SINGLE)
- ELECTRIC ES2-GP1000 (DOUBLE)
- FOLGER ADAM: \_\_\_\_\_
- KEY OPTION: \_\_\_\_\_
- ELECTRIC STRIKE ES2-3  
(1 MANUAL, 1 ELECTRIC STRIKE)

FDH = FINISHED DOOR HEIGHT  
FDW = FINISHED DOOR WIDTH  
GH = GLASS HEIGHT  
GW = GLASS WIDTH  
a = TOP RAIL DEDUCTION  
b = BOTTOM RAIL DEDUCTION

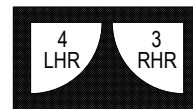
HOUSING: GP1000B EXIT PART # \_\_\_\_\_  
 HANDING: SWING #4 SHOWN/LHR EXTERIOR VIEW  
 TOP RAIL:  2-1/2"  3-5/8"  4"  6"  10" \_\_\_\_\_  
 BOTTOM RAIL:  2-1/2"  3-5/8"  4"  6"  10" \_\_\_\_\_  
 FINISH: \_\_\_\_\_  
 GLASS THICKNESS:  1/2"  3/4" QTY. OF DOORS: \_\_\_\_\_  
 NOTES: \_\_\_\_\_

NOTES:

1. RAIL HEIGHTS AND (\*) DIMENSIONS PROVIDED BY CUSTOMER.
2. ALL DIMENSIONS ARE IN INCHES.
3. NOTE PIVOT REFERENCE DIMENSIONS:
  - 2-3/4" FROM SIDELITE & FRAME
  - 3-1/2" FROM WALL.



EXTERIOR



EXTERIOR

CUSTOMER NAME: \_\_\_\_\_

CUSTOMER APPROVAL: \_\_\_\_\_

P.O. # \_\_\_\_\_

DOOR MARK: \_\_\_\_\_

SALES ORDER # \_\_\_\_\_

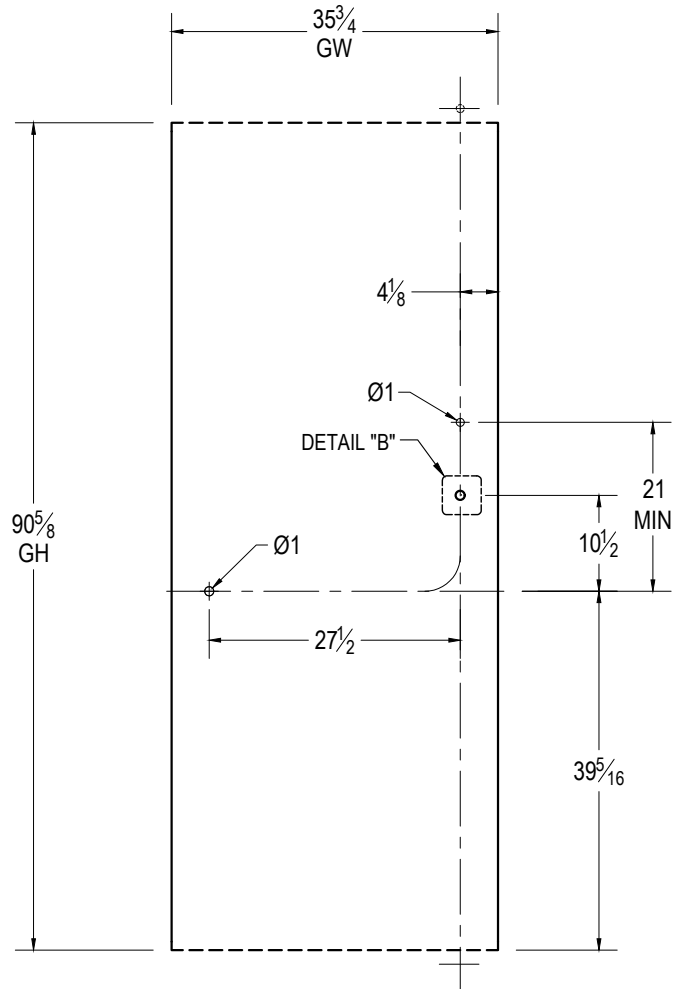
GLASS THICKNESS: \_\_\_\_\_

DATE: \_\_\_\_\_

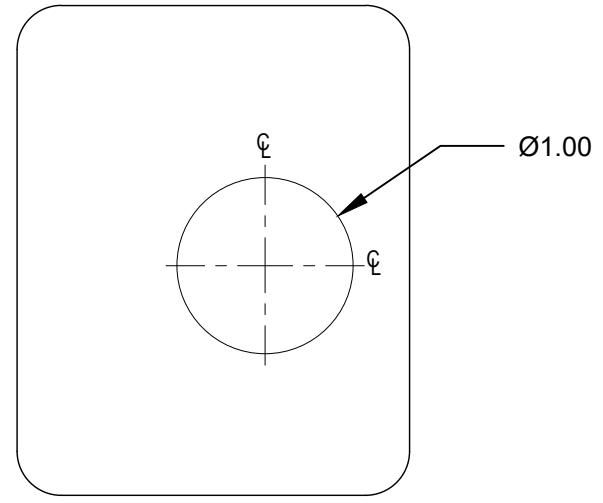


DRAWING TITLE: GP1000P-B-P

# GLASS DETAILS



EXTERIOR ELEVATION  
SCALE: 5/8" = 1'-0"



DETAIL "B"  
SCALE: 1:1

**Glass Height Equation: GH = FDH - (a+b)**

Rail Height	2-1/2"	3-5/8"	4"	6"	10"
Deduction	1.8125	2.6875	2.6875	5.0625	5.0625

FDH = FINISHED DOOR HEIGHT  
 FDW = FINISHED DOOR WIDTH  
 GH = GLASS HEIGHT  
 GW = GLASS WIDTH  
 a = TOP RAIL DEDUCTION  
 b = BOTTOM RAIL DEDUCTION

CUSTOMER NAME:

CUSTOMER APPROVAL:

P.O. #

DOOR MARK:

SALES ORDER #

GLASS THICKNESS:

DATE:

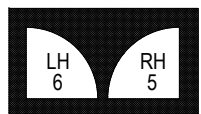
**dormakaba**

DORMA USA, Dorma Drive, Reamstown, PA 17567-0411 PH: 800-523-8483

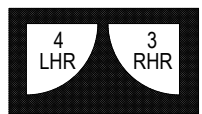
DRAWING TITLE: **GP1000P-B-P**

**NOTES:**

1. RAIL HEIGHTS AND (\*) DIMENSIONS PROVIDED BY CUSTOMER.
2. ALL DIMENSIONS ARE IN INCHES.
3. ALL HOLE SIZES AND LOCATIONS MUST BE HELD TO +/- 1/16"
4. DO NOT CHAMFER EDGES OF HOLES.



EXTERIOR



EXTERIOR