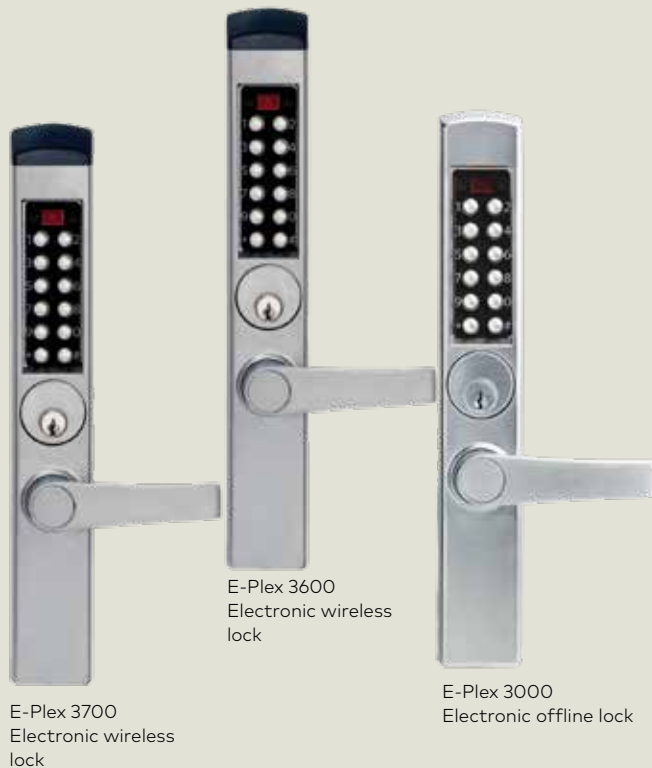


E-Plex Electronic Narrow Stile Lock 3600 – 3700 Series



E-Plex series of locks creates a range of access control solutions. They are ideal for cost effective access control or augmenting an existing access control system allowing you to utilize existing credentials and infrastructure.

Quick and easy to install and maintain, the E-Plex 3600 and 3700 Series can function in both wireless or offline modes using dormakaba's Keyscan Aurora or Keyscan LUNA Access Control software platforms.

The complementary Keyscan LUNA Access Management Software platform is recommended for small offline only installations that are ideal for small business.

The E-Plex 3600 model supports 13.56MHz high-frequency credential formats (MIFARE, DESFire, and iCLASS) and PIN codes.

The E-Plex 3700 model supports 125kHz standard security "prox" credential formats and PIN codes.

Also available in standard models (E-Plex 5600/5700)

Features & Benefits

Programming

Locks are programmed using:

- dormakaba's Keyscan Aurora Access Control software platform in both wireless or offline modes (requires M-Unit handheld)
- The complementary Keyscan LUNA Access Management Software platform is recommended for small offline only installations that are ideal for small business. (requires M-Unit handheld)
- E-Plex Enterprise Software provides easy management of doors and users. Upgradeable to wireless. (wireless not available on locks purchased prior to Oct. 2011)
- Or by keypad with LearnLok feature (300 available PIN codes)

Number of Users

- Keyscan Aurora: Up to 45,000
- Keyscan LUNA: Up to 10,000
- E-Plex Enterprise: Up to 3,000
- Stand-alone: Up to 300 access codes (LearnLok™)

Scheduling

- Up to 16 different access schedules may be programmed into reader.

Ease of Installation

- No wire to or through the door

Audit Capability

- Up to 30,000 events with optional software

Operation Modes

- Access (via Credential)
- Lockout
- Passage—can be toggled on/off or pre-programmed to re-lock manually or via software
- Scheduled Access

Authority Levels

Six different levels control who has access to specific lock functions, including: Service codes from single event up to four-day access, programmable in advance

Holiday/Vacation

Up to 32 holiday/vacation blocks may be programmed.

User Parameters

Code length—Adjustable to accept 4 to 8 digits

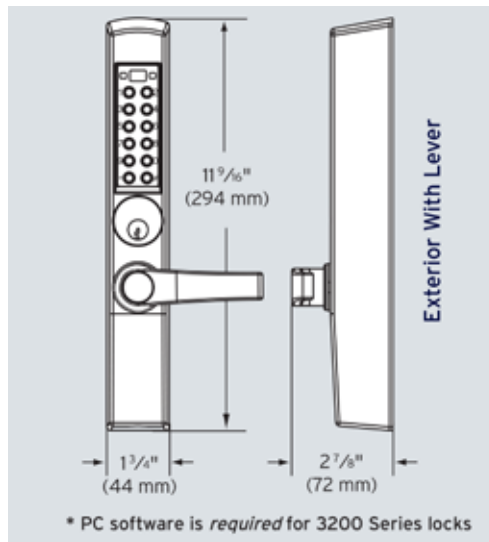
Anti-tamper lockout—Adjustable from 3 to 9 invalid attempts with an adjustable period of 0 to 90 seconds

Relock time—Adjustable from 2 to 20 seconds

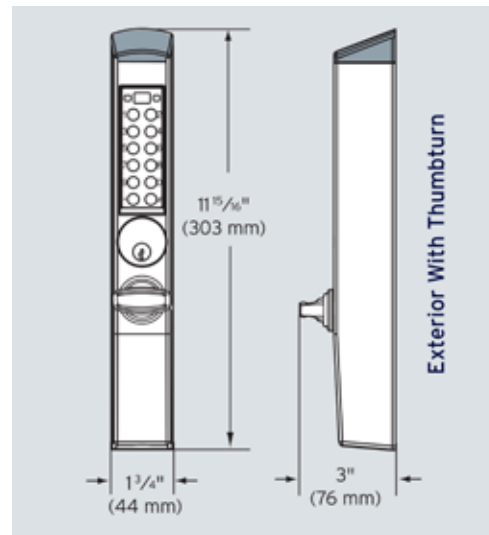
Battery Operation—Batteries located in tamper-proof base of outside housing. Four AA Alkaline batteries provide up to 120,000 cycles for E-Plex 3600/3700 (performance varies based on settings). Lock data is maintained if batteries fail. Warning lights notify low battery status.

Ease of Installation—No wire installation—eliminates wiring to or through the door—no risk of pinched wires

E3000/3200 Series* Dimensions



E3600/3700 Series (Card-Based) Dimensions



Optional Features



E-Plex 3600 offline with Keyscan Aurora and M-Unit handheld



E-Plex 3600 Wireless with Keyscan Aurora



E-Plex 3600 offline with Keyscan LUNA and M-Unit handheld

Specifications

Construction	Extra heavy-duty lockset, solid cast housing, and solid cast lever or thumbturn wear tested for extensive use in indoor and outdoor applications
Numeric Keypad	Vandal resistant, solid metal pushbuttons
Handing	Non-handed, easily changed in the field
Backset	31/32" (25 mm) minimum
Locking Devices	Retrofits inside trim for Adams Rite® locks 1850, 1950, 4070, 4510, 4520, 4530, 4710, 4720, 4730, 4900, 4920AN, MS 1850S, MS 1950S, and 8400 Series (not included). Adapter Kit available for various manufacturers' narrow stile Exit Devices.
Maximum Stile Thickness	1 3/4" (44 mm)
Weight	5.1 lbs. (2.3 kg)
Mortise Cylinder	Field replaceable Mortise Cylinder in Schlage "C" or Kaba 90 Keyway
Interchangeable Cores	Optional Mortise Shell accommodates small format—Best and equivalents (6-pin length only)
Ease of Installation	No wire installation—eliminates wiring to or through the door—no risk of pinched wires
Door Preparation	Easily installs on narrow stile doors with four mounting screws
Door Thickness	1 3/4" (44 mm)
Items Supplied Include	Lock assembly, installation manual, quick reference guide, operations manual, installation template, cylinder with two keys, mounting hardware, and batteries
Accessibility Standard	Americans with Disabilities Act (ADA)
Durability	Designed and fully tested to meet rigid life cycle test and operating reliability per BHMA Grade 1 requirements
Environmental	Indoor/Outdoor Approved Front Housing: -31 °F (-35 °C) to + 151 °F (66 °C)
Standard Finish	Satin Chrome 26D (626) housing and lever
Optional Finish	Dark Bronze (744—Simulates 10B/613) housing with Brass pushbuttons and cylinder
Warranty	Three-year warranty from date of installation; built-in warranty counter in lock memory. Warranty is void if product is not installed with approved locking devices noted above.

© dormakaba 2021 dormakaba USA, Inc. All rights reserved. While reasonable efforts were made to ensure the accuracy of this document at the time of printing, dormakaba assumes no liability for any errors or omissions. This information is subject to be revised without notice, and changes may be incorporated in future releases

dormakaba USA, Inc.
6161 E. 75th Street
Indianapolis, IN 46250

1 800 849-8324

www.dormakaba.us

KAA1444 03-21