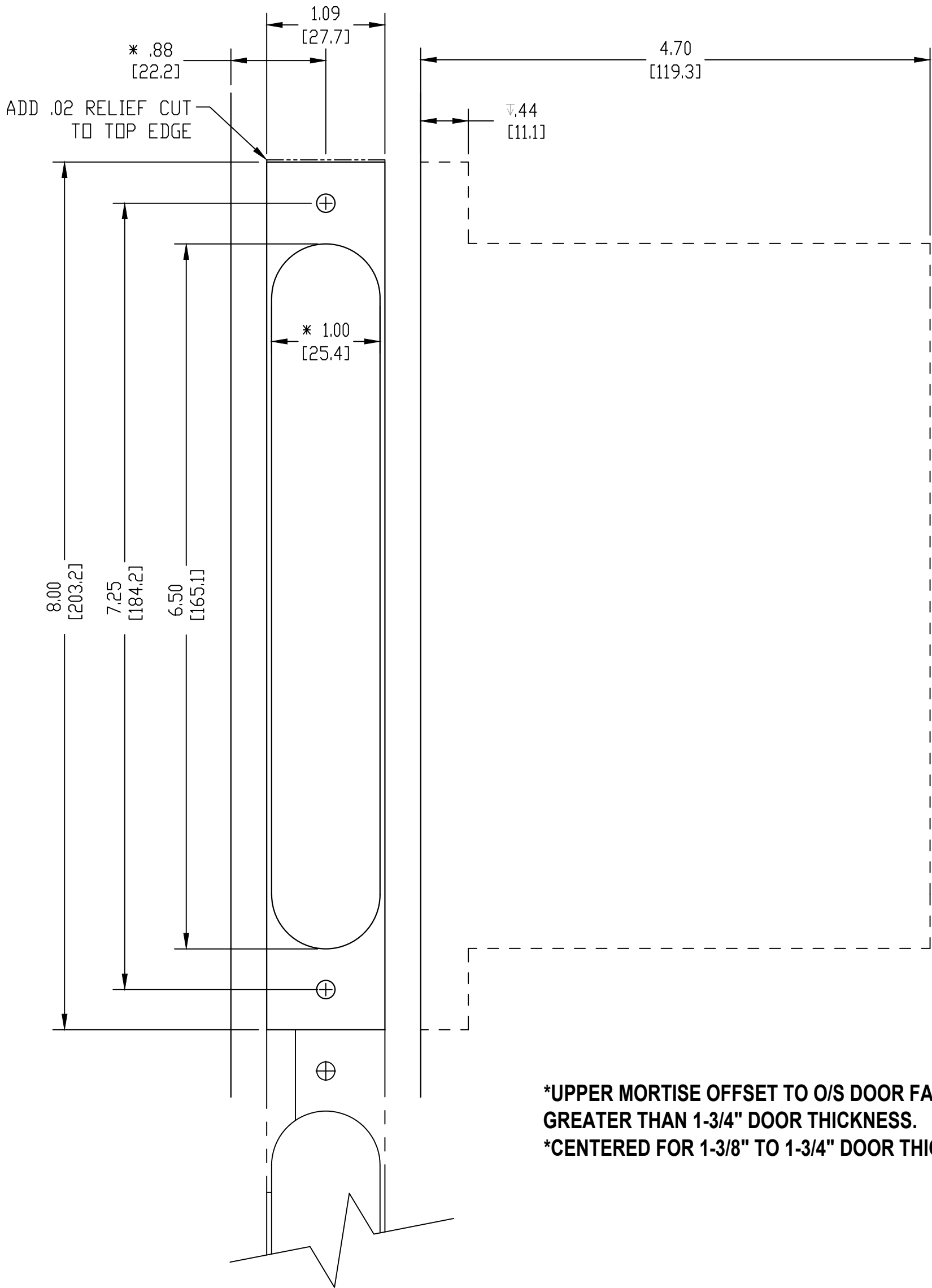


DOOR EDGE
VIEW



***UPPER MORTISE OFFSET TO O/S DOOR FACE IF
GREATER THAN 1-3/4" DOOR THICKNESS.
*CENTERED FOR 1-3/8" TO 1-3/4" DOOR THICKNESS.**

DATE: 5/2/19

TEMPLATE PART NUMBER/FILENAME:
QTM_PIXEL_UPPER_MORTISE_POCKET
NARROW VER: 7 PAGE 3

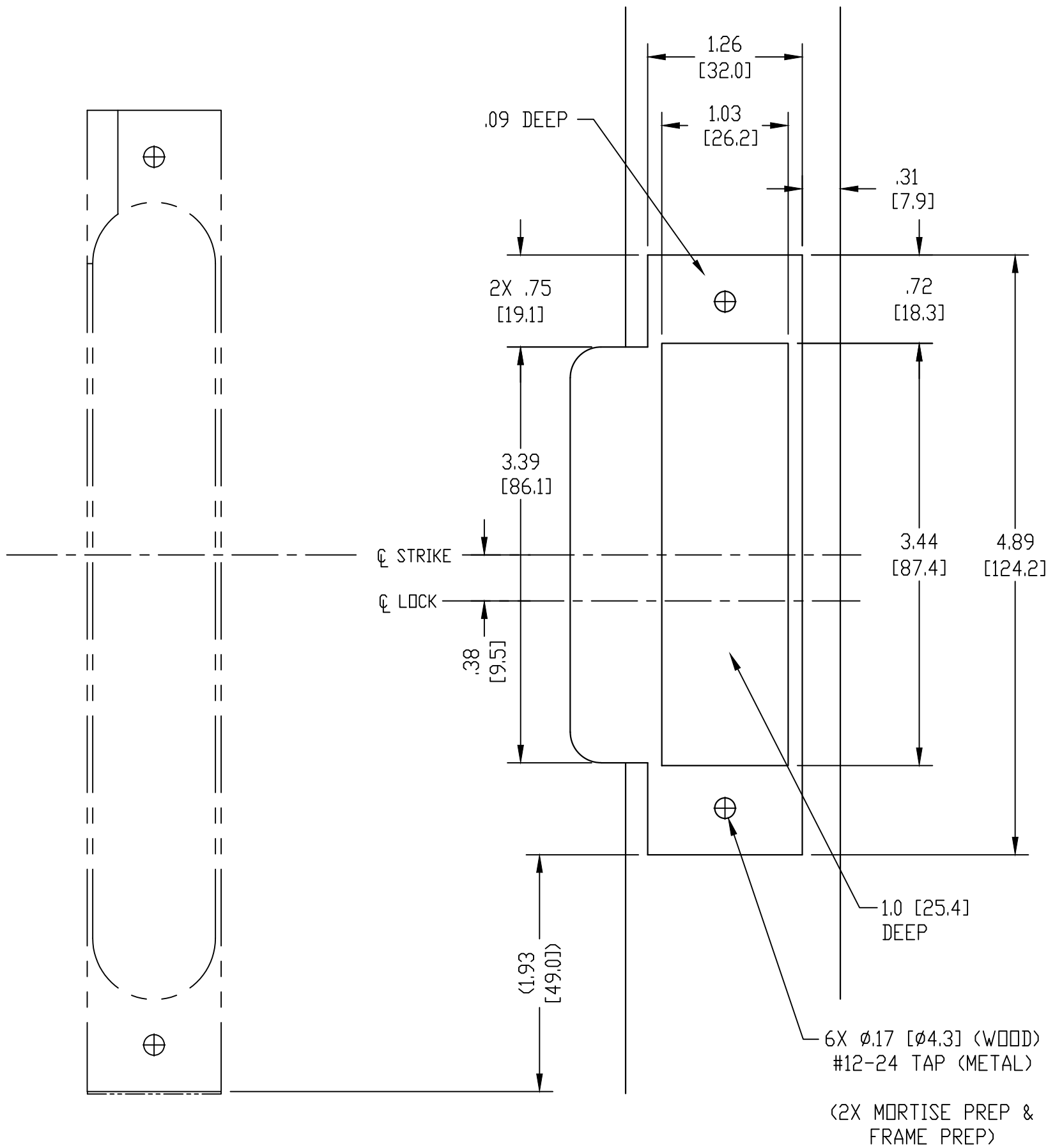


DIMENSIONAL TOLERANCE: ± 0.02

TEMPLATE SCALE IS 1:1 IF THIS MEASURES 1":

**INSTALLATION TEMPLATE NARROW STD
QUANTUM PIXEL UPPER MORTISE POCKET**

DOOR FRAME
VIEW



DIMENSIONAL TOLERANCE: \pm .02

TEMPLATE SCALE IS 1:1 IF THIS MEASURES 1":

INSTALLATION TEMPLATE
TYPICAL 4-7/8" STRIKE PREP

DATE: 5/2/19

TEMPLATE PART NUMBER/FILENAME:
SAFLOK 4-7/8" STRIKE PREP
VER: 7 PAGE 4

