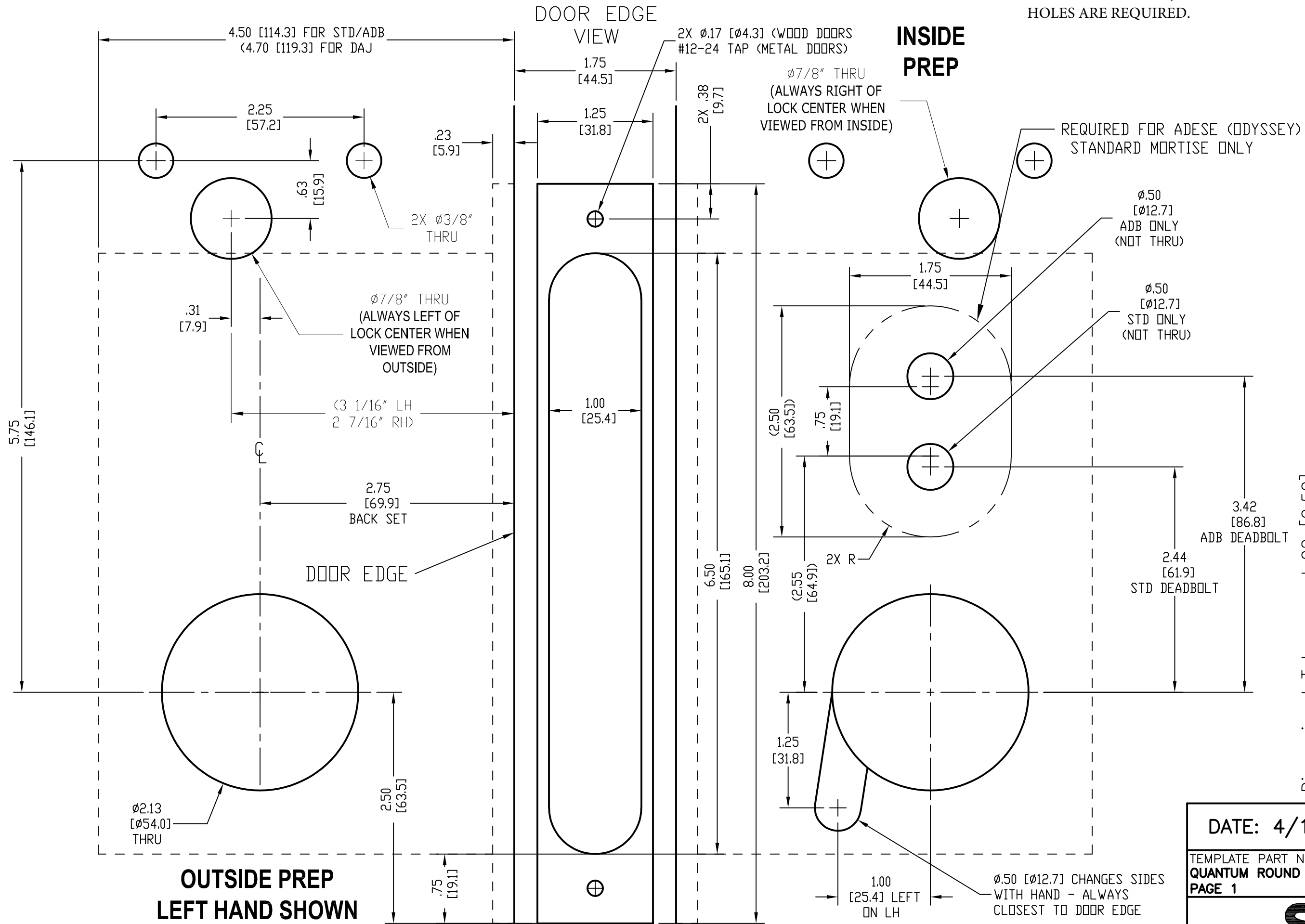


FOR UTILITY LOCKS, NO DEAD BOLT HOLES ARE REQUIRED.



Dimensional Tolerance: $\pm .02$ [0.50]
TEMPLATE SCALE IS 1:1 IF THIS MEASURES 1":

SEE PAGE 2 FOR STRIKE PREP

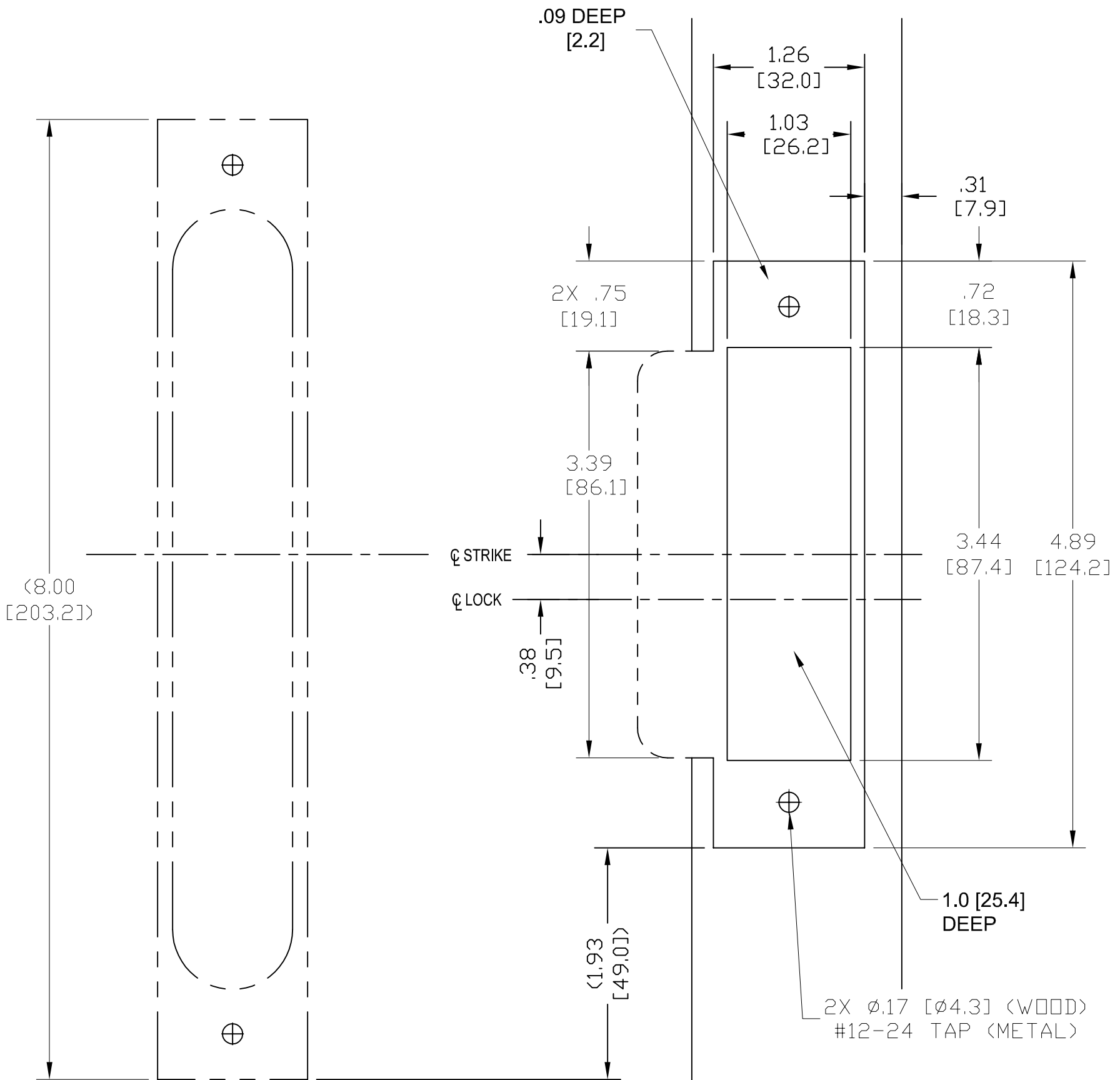
INSTALLATION TEMPLATE QUANTUM RFID™ ROUND

DATE: 4/18/17

TEMPLATE PART NUMBER/FILENAME:
QUANTUM ROUND LOCK PREP
PAGE 1



DOOR FRAME
VIEW



** STRIKE TO BE PREPPED IN ACCORDANCE TO ANSI STANDARDS, ANY MODIFICATIONS TO THE FRAME WILL RESULT IN MISALIGNMENT OF STRIKE. PLEASE CONTACT SAFLOK SALES SUPPORT: 1-800-999-6213 **

DATE: 1/23/17

TEMPLATE PART NUMBER/FILENAME:
SAFLOK 4-7/8" ANSI STRIKE PREP

DIMENSIONAL TOLERANCE: $\pm .02$ [0.50]

TEMPLATE SCALE IS 1:1 IF THIS MEASURES 1":



INSTALLATION TEMPLATE
ANSI 4-7/8" STRIKE PREP