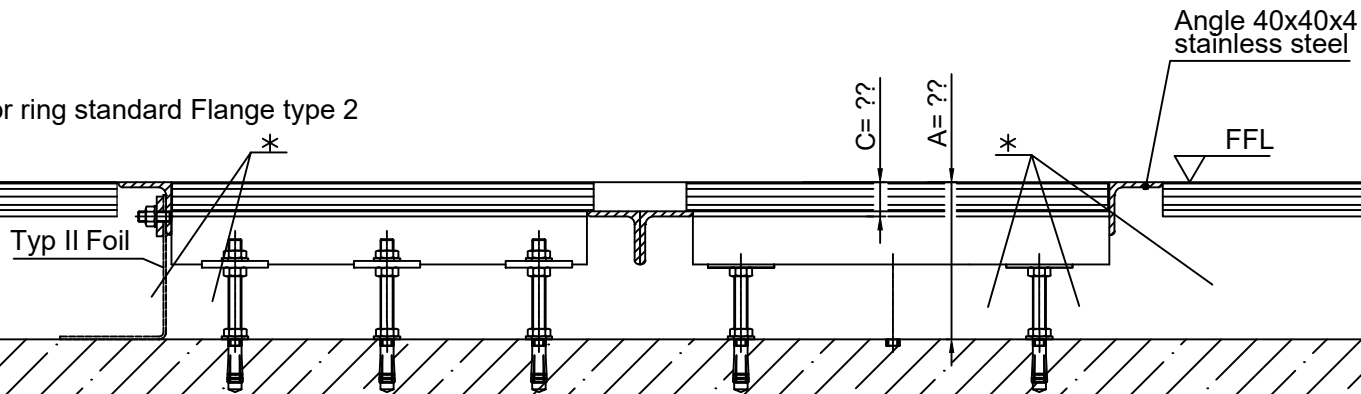


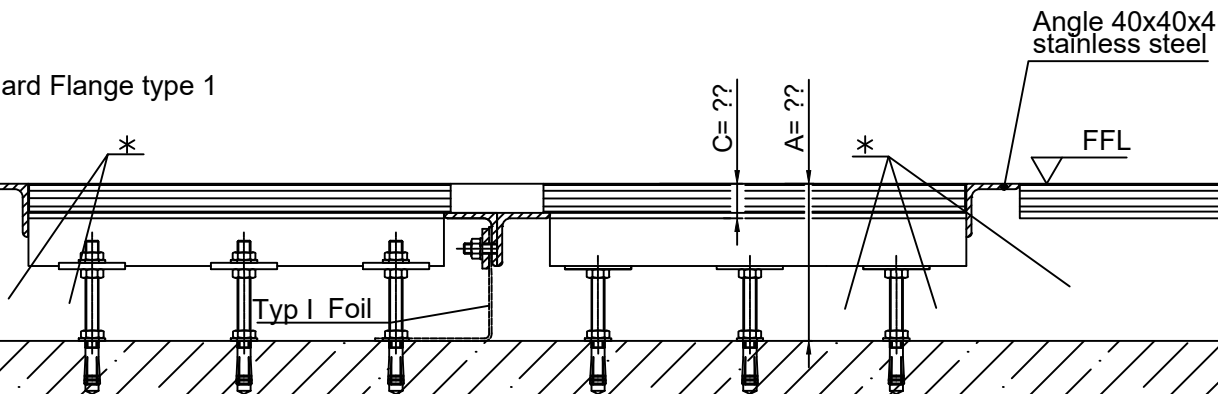
All concrete levels by the drawing and all needed reinforcement drawings and details are subject to the approval of the CONCRETE CONSULTING ENGINEER. THE REGISTRATION IS VALID FOR ALL ACTIVITIES AND RESPECTIVE OF CERTAINING SUBSTANCES IN ELECTRICAL AND TELECOMMUNICATIONS (E/T).

This reproduction, distribution and circulation of this document as well as the communication of its content to others, is prohibited without the written consent of the manufacturer or distributor.

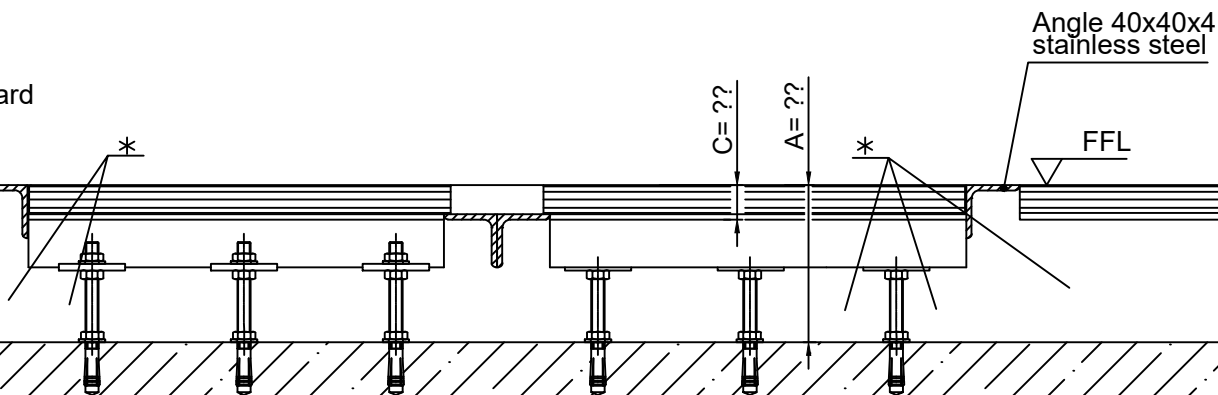
KTV 3;4, floor ring standard Flange type 2



KTV 3;4, floor ring standard Flange type 1



KTV 3;4, floor ring standard



* After the assembly of the floor ring, the free space between FCL and lower cant floor covering has to be filled with plaster by others
 Minimum screed compressive strength - 30N/mm²

 The floor ring must be filled with plaster before continuing the mounting of the door on top

Status: SERIAL PRODUCTION		Building Project / Commission		Drawing Approval	
Modification					
11047					
07.05.2018		fabrika		Date / Name / Stamp	
		Customer:			
		Sales Number:			
		Product:			
		Tolerances ISO 2768 part 1 and part 2, Tol.-cl. K			
Drawn by:		Material:		Seller:	
Checked by:				Made from:	
Scale:		Title: KTV 3;4, floor ring		No: 95019006050000	
Format: A4				Sheet:	

