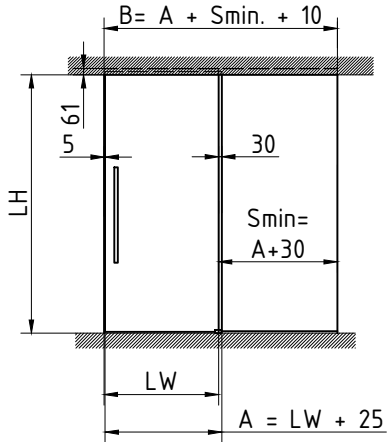


MUTO Comfort L 80 Pocket - Ceiling slot solution

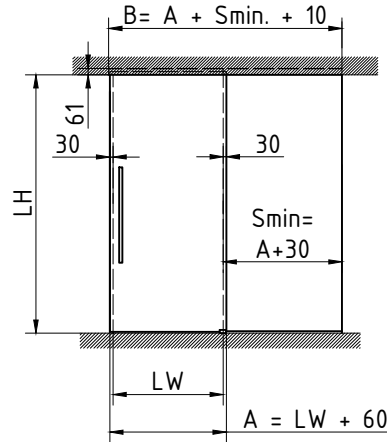
Overview in ceiling mounting with side panel

single panel in ceiling with side light, running against the wall



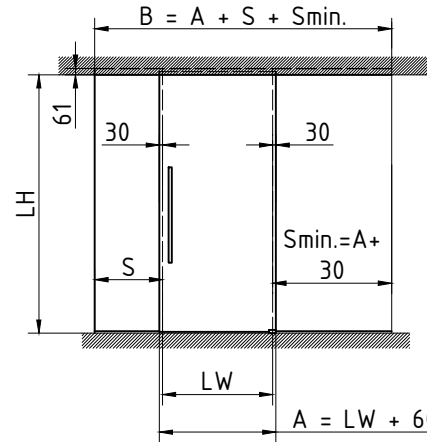
Art. Nr. 36.243 installation in ceiling with side light

single panel in ceiling with side light, overlapping



Art. Nr. 36.275 installation in ceiling with side light

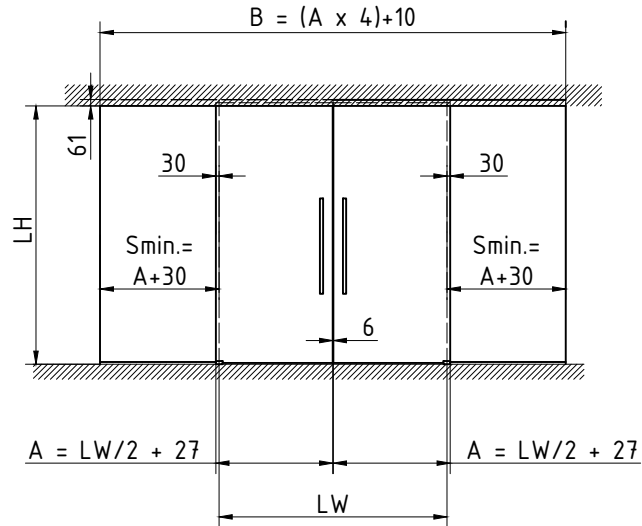
single panel in ceiling with two side lights



Art. Nr. 36.276 installation in ceiling with side light

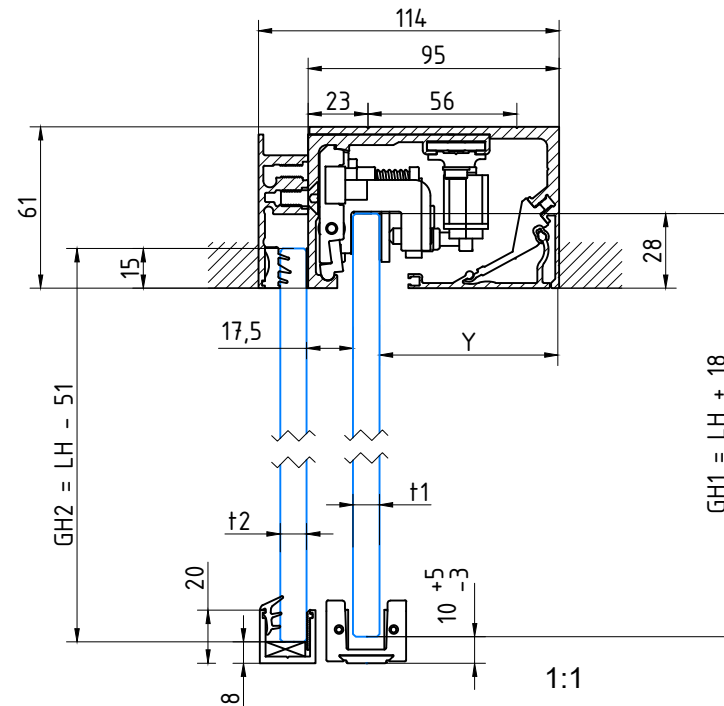
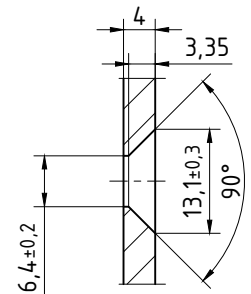
- A = glass width
- B = length of track, pocket- and cover profile
- GH1 = glass height panel
- GH2 = glass height sidelight
- LH = total height
- LW = clear opening width
- t1 = glass thickness panel (8-12 mm)
- t2 = glass thickness sidelight (8-13,5 mm)
- S = glass width sidelight
- Y = 95 - (17 + t1)

double panel in ceiling with side light



Art. Nr. 36.244 installation in ceiling with side light

detail mounting hole track



1:1