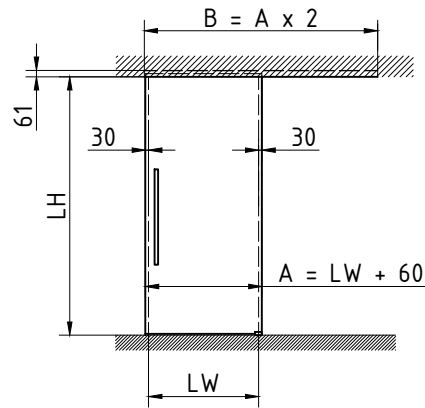


MUTO Comfort L 80 Pocket - Ceiling slot solution

Overview in ceiling mounting with timber panel

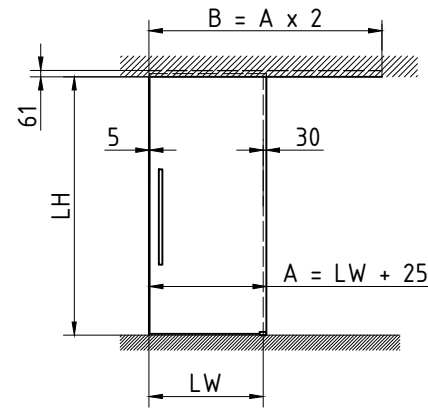
Adapter profile for timber doors - Art Nr. 36.621 / 36.262

single panel in ceiling, overlapping



Art. Nr. 36.230 panel with 750mm
 Art. Nr. 36.231 panel with 1000mm
 Art. Nr. 36.232 fixed panel

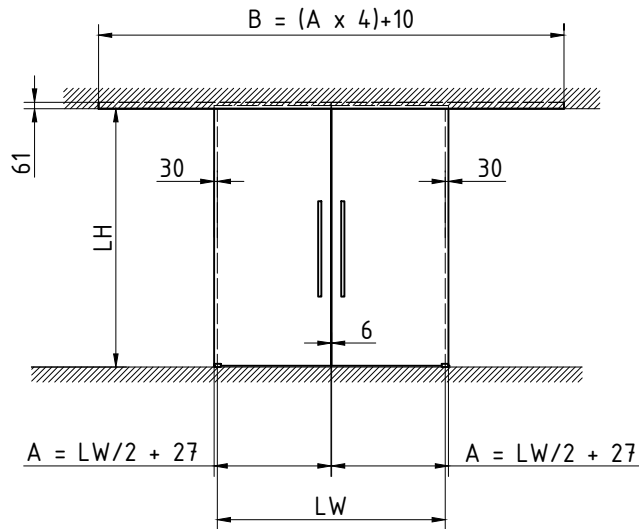
single panel in ceiling, running against the wall



Art. Nr. 36.240 fixed panel

- A = glass width
- B = length of track, pocket- and cover profile
- GH1 = glass height panel
- GH2 = glass height sidelight
- LH = total height
- LW = clear opening width
- t1 = glass thickness panel (8-13,5 mm)
- t2 = glass thickness sidelight (8-13,5 mm)
- S = glass width sidelight
- Y = 95 - (17 + t1)

double panel in ceiling



Art. Nr. 36.233 double panel, 2x750mm
 Art. Nr. 36.234 double panel, 2x1000mm
 Art. Nr. 36.235 double panel, 2x fixed panel

detail
 mounting hole track

