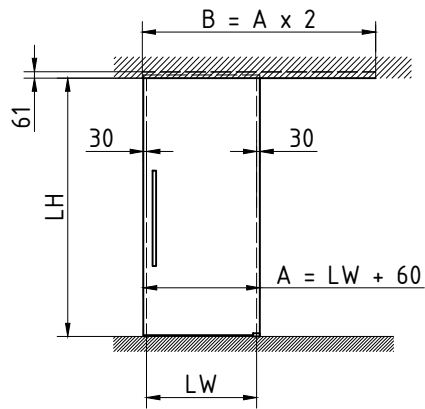


# MUTO Comfort L 80 Pocket - Ceiling slot solution

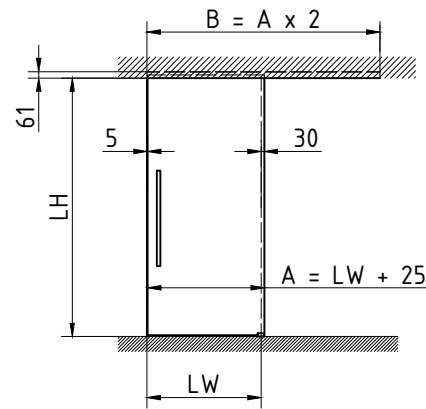
Overview in ceiling mounting

single panel in ceiling, overlapping



Art. Nr. 36.230 panel with 750mm  
Art. Nr. 36.231 panel with 1000mm  
Art. Nr. 36.232 fixed panel

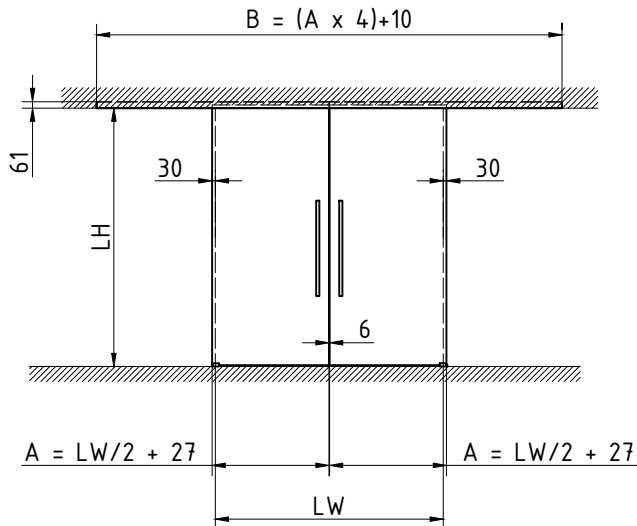
single panel in ceiling, running against the wall



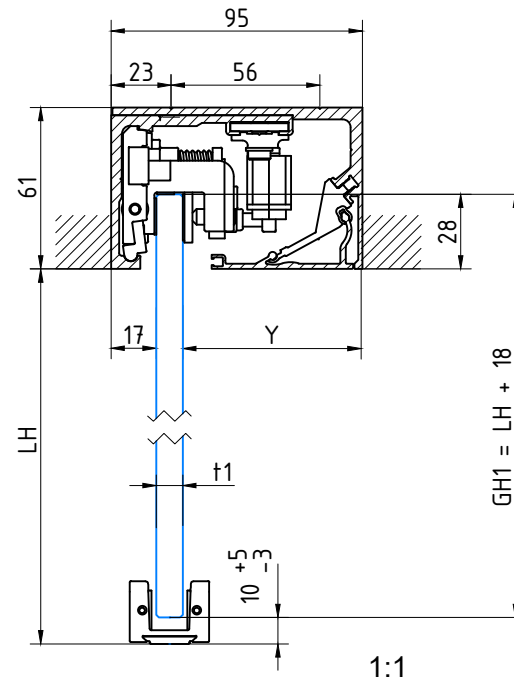
Art. Nr. 36.240 fixed panel

- A = glass width
- B = length of track, pocket- and cover profile
- GH1 = glass height panel
- GH2 = glass height sidelight
- LH = total height
- LW = clear opening width
- t1 = glass thickness panel (8-13,5 mm)
- t2 = glass thickness sidelight (8-13,5 mm)
- S = glass width sidelight
- Y = 95 - (17 + t1)

double panel in ceiling



Art. Nr. 36.233 double panel, 2x750mm  
Art. Nr. 36.234 double panel, 2x1000mm  
Art. Nr. 36.235 double panel, 2x fixed panel



1:1

detail mounting hole track

