

# SHIELD

with Clamp

## Installation instructions

935004 – 11-2020

| EN |

# Table of contents

|          |   |          |
|----------|---|----------|
| <b>1</b> | <b>Technical specifications</b>             | <b>3</b> |
| 1.1      | Overview                                    | 3        |
|          | 1.1.1 General information                   | 3        |
|          | 1.1.2 Intended use                          | 3        |
|          | 1.1.3 Glass requirements/fittings/mounting  | 3        |
|          | 1.1.4 Requirements for glass panel          | 3        |
|          | 1.1.5 Safety instructions                   | 3        |
|          | 1.1.6 Symbols used - Safety/Installation    | 3        |
|          | 1.1.7 Maintenance, care, repair             | 3        |
|          | 1.1.8 Disposal                              | 3        |
| <b>2</b> | <b>Installation instructions</b>            | <b>4</b> |
| 2.1      | Overall                                     | 4        |
| 2.2      | Disassemble clamp brackets                  | 4        |
| 2.3      | Secure clamp bracket to base and reassemble | 4        |
| 2.4      | Glass dimensions and specifications         | 5        |
| 2.5      | Install glass                               | 5        |
| 2.6      | Secure the glass                            | 6        |

# 1 Technical specifications

## 1.1 Overview

These instructions are for installation of SHIELD with Clamp for the following mounting and style versions:

### 1. Glass mounting

#### 1.1.1 General information

- dormakaba requires use of tempered monolithic glass only for this product.
- dormakaba glass hardware is not suitable for harsh environment; for example, applications where chemicals (e.g. chlorine) are used such as indoor swimming pools, saunas, or salt-water pools.

#### 1.1.2 Intended use

- For stationary glass panels in dry indoor areas only.

#### 1.1.3 Glass requirements/fittings/mounting

- The substructure/wall must be able to bear permanent loads, and be level (max. tolerance: 1/16" [2] per 39" [1m]).
- Fasteners must be sufficiently dimensioned for the substructure/wall and weight of the glass.
- When adjusting glass elements, always stick to the required clearance for the respective hardware. Adjust clearance so glass does not come in contact with any hard surfaces such as glass, metal or concrete.
- Do not use excessive force when installing the glass (avoid over tightening screws.)

#### 1.1.4 Requirements for glass panel

- dormakaba requires use of fully tempered glass, which complies with ASTM C 1036 and ASTM C 1048. Secondary heat soaking processes are optional but not required.
- Clamping area must be flat and uncoated (no self-cleaning coating!)
- Never use glass with conchoidal fractures and/or damaged edges.

#### 1.1.5 Safety instructions

- Installation requires two people.
- Always wear protective clothing.
- Only properly qualified and specially trained staff is authorized to mount dormakaba glass hardware.

- Due to crushing hazards and possible injury caused by breakage of glass during mounting, corresponding protective clothing (especially gloves and protective goggles) is required.
- Never clamp metal glass fitting hardware directly to glass surface.
- Never rest glass directly on metal fitting or hardware.

#### 1.1.6 Symbols used - Safety/Installation



##### CAUTION

Mounting components must meet the requirements of substructure/wall and door weight. Please read the technical information for fittings.



##### WARNING

Risk of breaking glass. When installing the door, support the door panel with a block of wood or similar object.



##### CLOSING EDGE OF DOOR

#### 1.1.7 Maintenance, care, repair

- Immediately replace damaged parts.
- Always use original dormakaba parts.
- Clean clamping area with alcohol-based standard commercial cleaning agent before mounting the glass hardware.
- Use a damp cloth for occasional cleaning.
- Always use silicone - and oil-free cleaners (e.g. acetone).
- Check glass hardware at regular intervals for proper positioning, smooth operation and correct adjustment.
- High traffic systems require inspection by properly qualified staff (specialized companies or installation firms.)
- Function of fittings is recommended to be checked every 500,000 movements by a specialist.

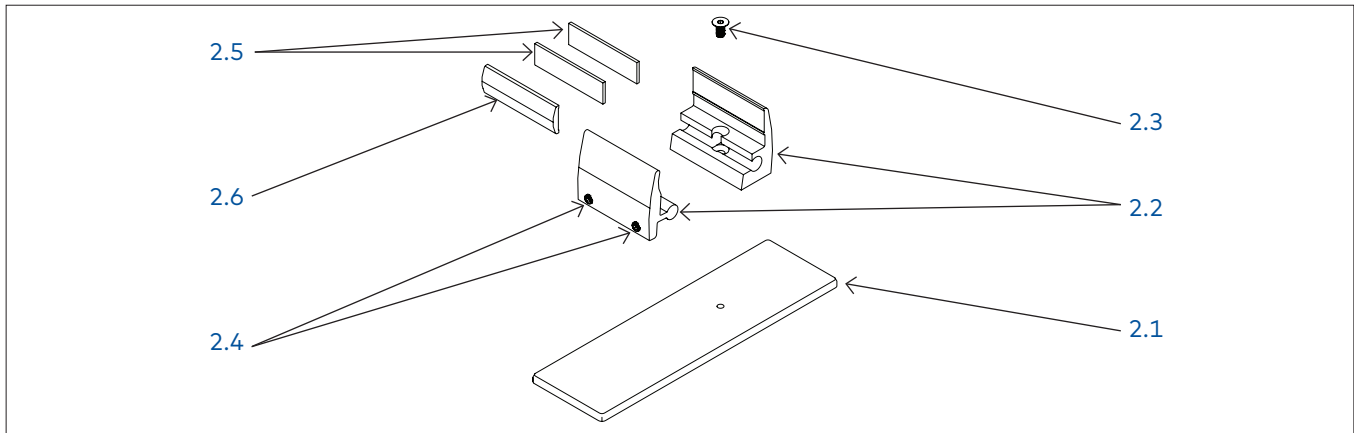
#### 1.1.8 Disposal

Disposal in accordance with local, state and national regulations.

# 2 Installation instructions

## 2.1 Overall

Fig.1



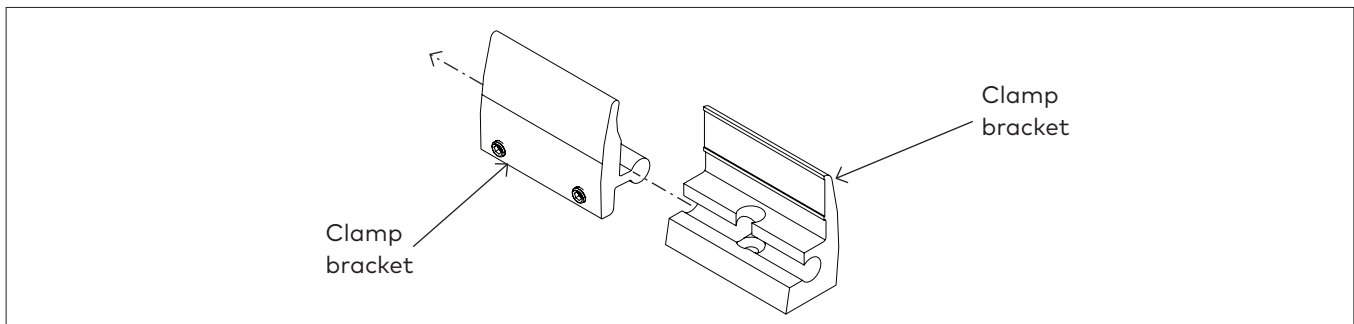
2.1 Clamp base (long)  
 2.2 Clamp brackets

2.3 Clamp screw  
 2.4 Set screws

2.5 Glass gaskets x4  
 2.6 Clamp wedge

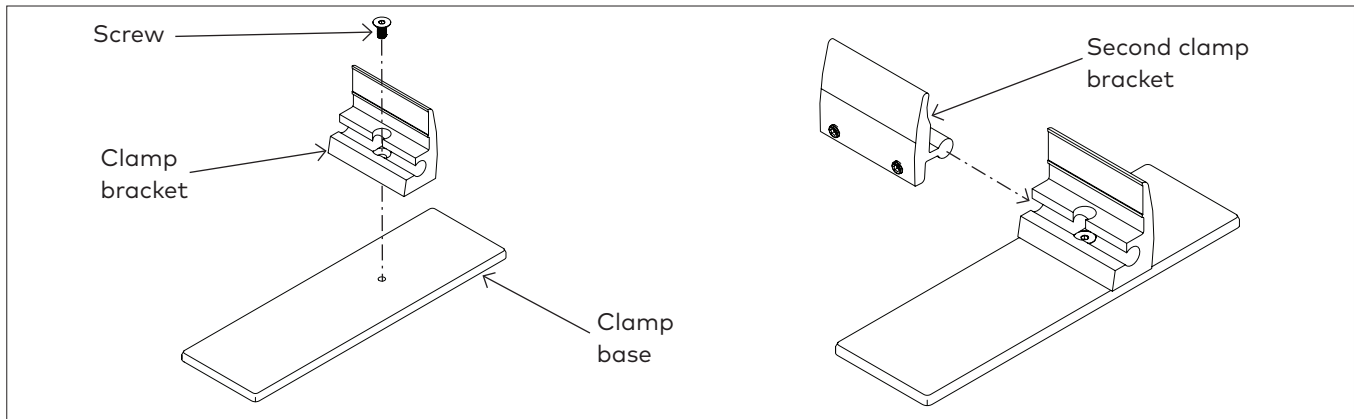
## 2.2 Disassemble clamp brackets

Fig.2



## 2.3 Secure clamp bracket to base and reassemble

Fig.3



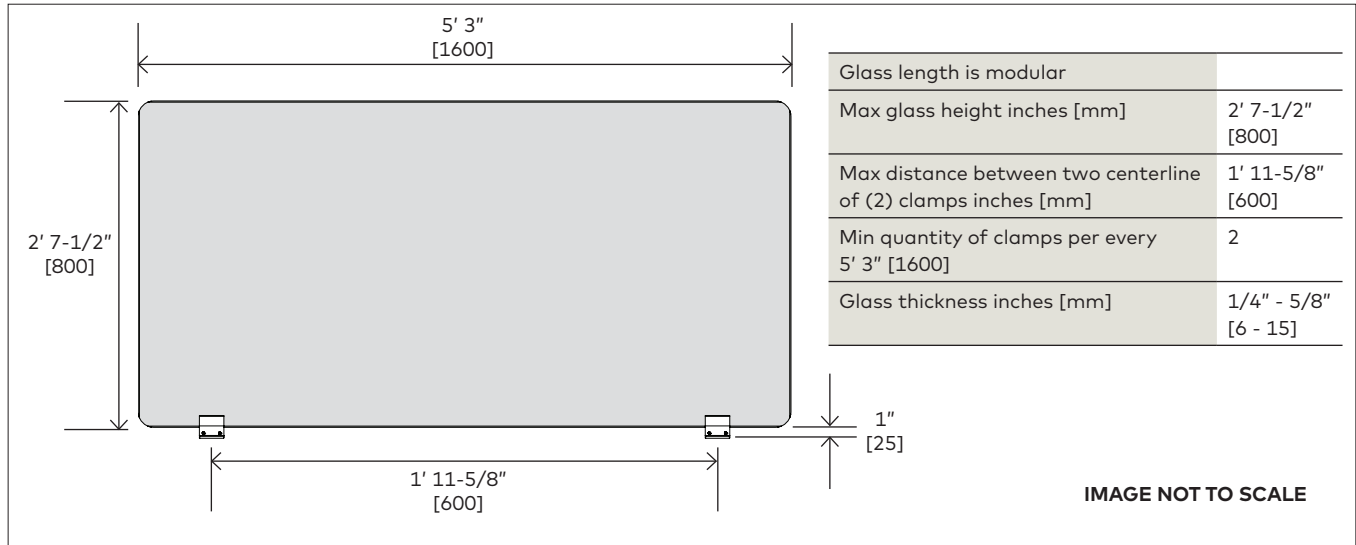
2.3.1 Secure clamp bracket to base in orientation shown.

2.3.2 Slide second clamp bracket back into secured bracket.

- Use included screw.

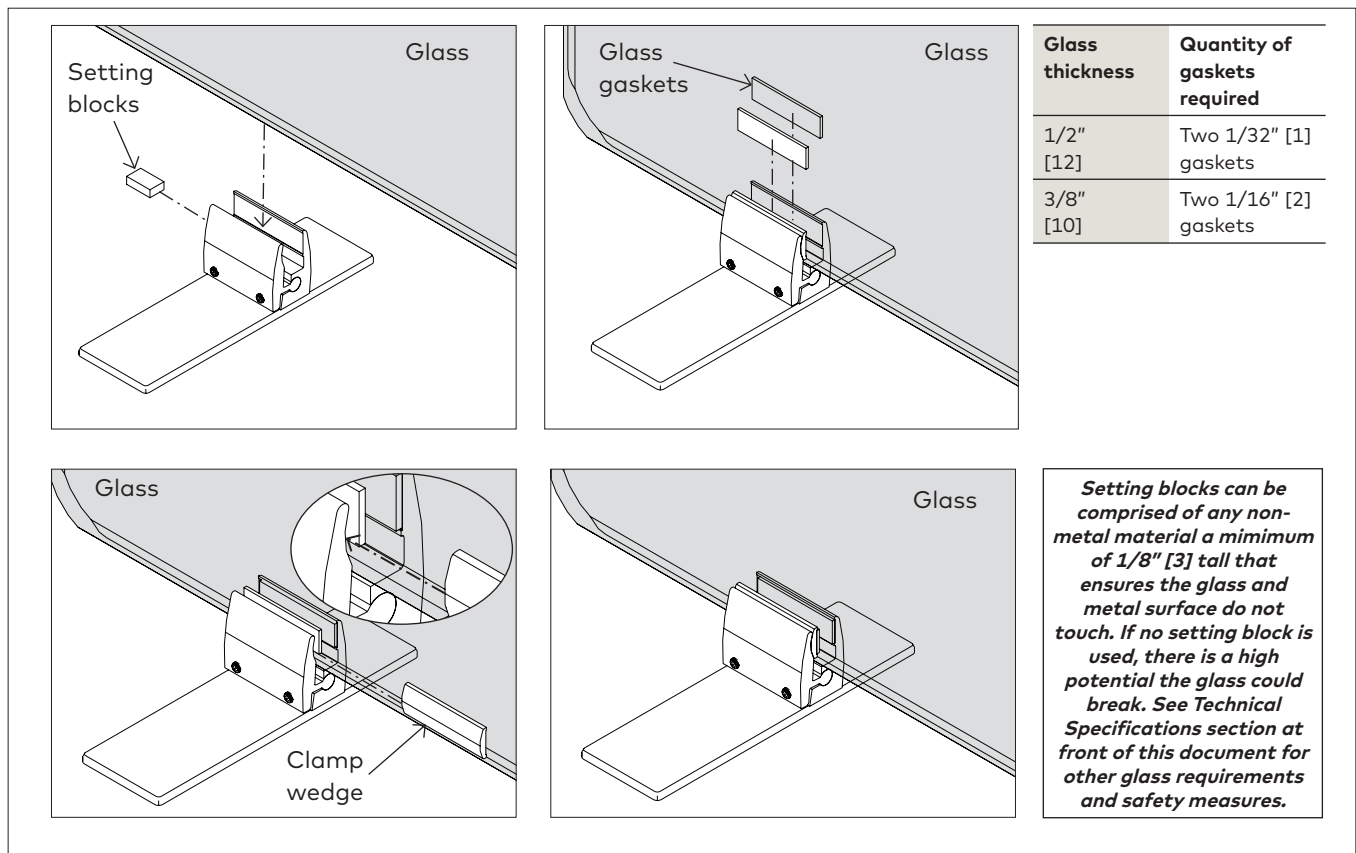
## 2.4 Glass dimensions and specifications

Fig.4



## 2.5 Install glass

Fig.5

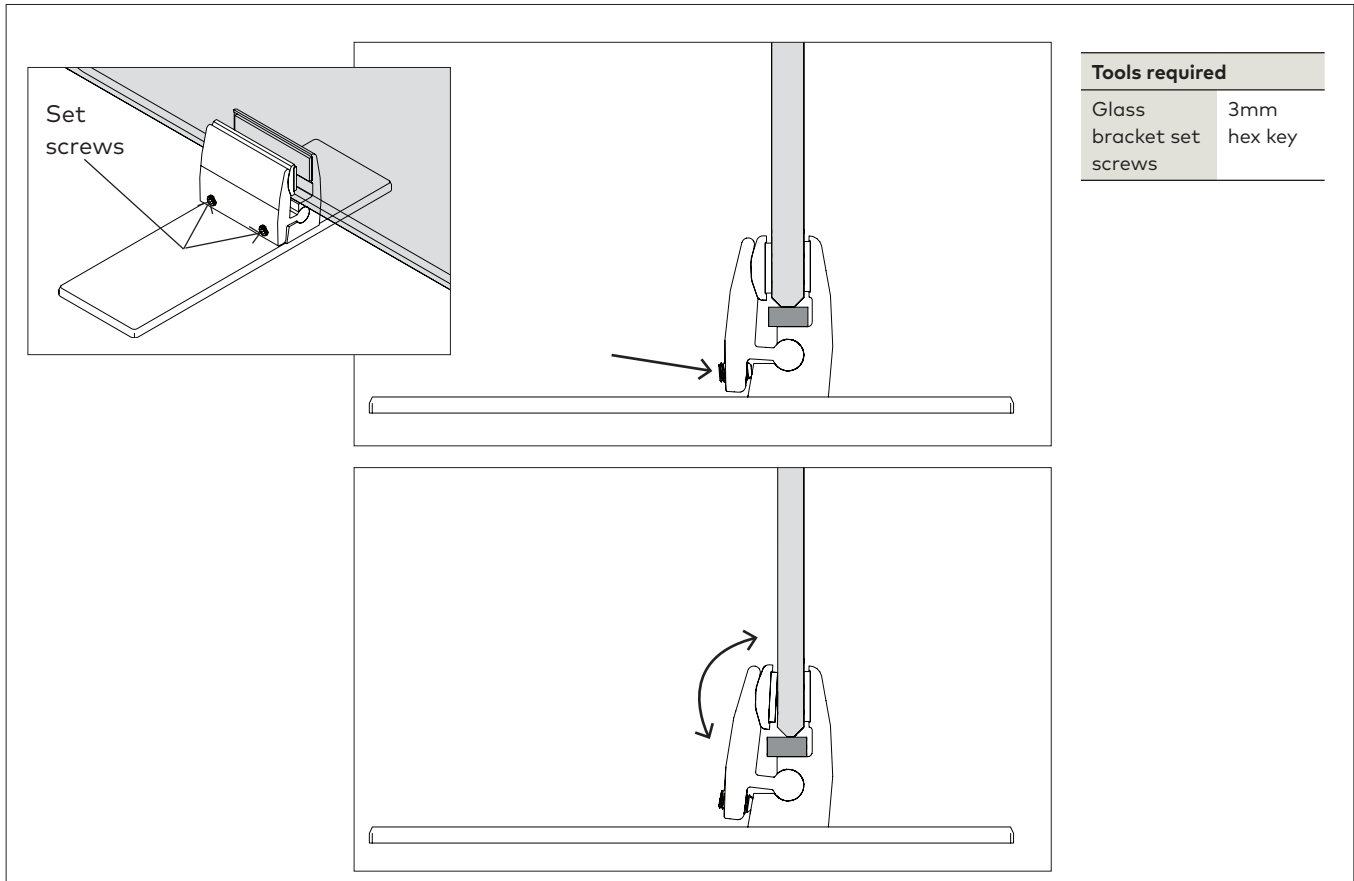


- 2.5.1 Place setting blocks (not included) into each clamp bracket.
- 2.5.2 Slide glass down into bracket.
- 2.5.3 Slide appropriate quantity of glass gaskets down alongside the glass.
- See chart above for quantity per glass thickness.

- Ensure equal quantity of gaskets are on each side of the glass.
- **NOTE: Wet gaskets first to ensure easier sliding into bracket.**
- 2.5.4 Slide clamp wedge between bracket and gasket.

## 2.6 Secure the glass

Fig.6



2.6.1 Tighten clamp bracket against glass by tightening the set screws.

- Use a 3mm hex key.
- As the set screws tighten against the clamp, it will pivot up and in towards the glass.
- **HAND TIGHTEN ONLY.**

