

SAT

BAZ

DF

BSZ

PF

SSW



BS

VdS

BS

SIS

TIC

RB

FZG

Special functions for your reversible key system

Optional added value

Versatile
Secure
Individual

Do you have particular requirements for your master key system?

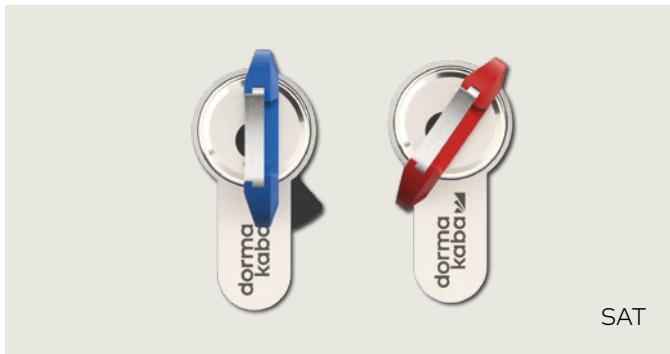
We have the right special functions for you

dormakaba reversible key systems meet very high security requirements and can be used flexibly with different types of master key systems.

If you have very specific requirements for the overall system or for individual doors, you can choose from our comprehensive range of special functions and special designs – to obtain just as much added value as you wish. dormakaba also offers a variety of cylinder lengths from 25 mm to 250 mm on one side.



Access options



- Service function (SAT)
- Construction phase function (BAZ)
- Duplo function (DF)

Greater convenience



- Lock cylinder with key override on both sides (BSZ)
- Priority function (PF)
- Cylinder with Cogwheel Cam (ZR)

Protection against burglary



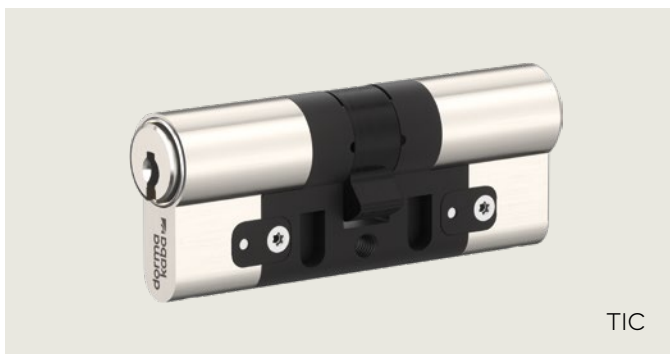
- Custom made lock cylinders
- Lock cylinder with increased anti-drill protection (BS)
- Lock cylinder with increased anti-drill and pulling protection (BZ-LAM)

Safety in an emergency



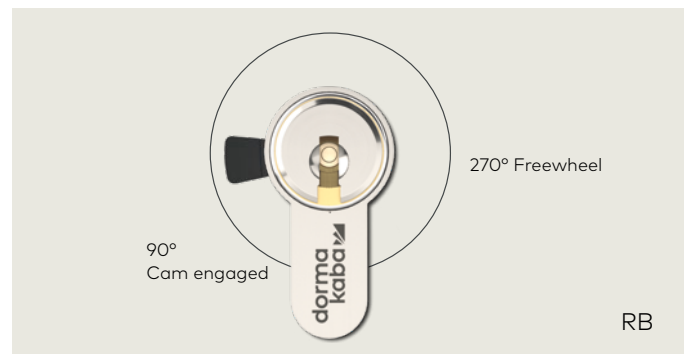
- Freewheel cylinder for gear-operated locks (FZG)
- Emergency override key system (GF)

Longer service life



- Thermally insulated lock cylinder (TIC)
- Dust and insect protection (SIS)
- Dust and weather protection (SSW)
- Chemically nickel-plated version (NIC)

Special switch solutions



- Relative cam movement (RB)
- Contact pin (KT)

Access options

Temporary access for service personnel? Just turn the key!

Service function (SAT)

Your requirements:

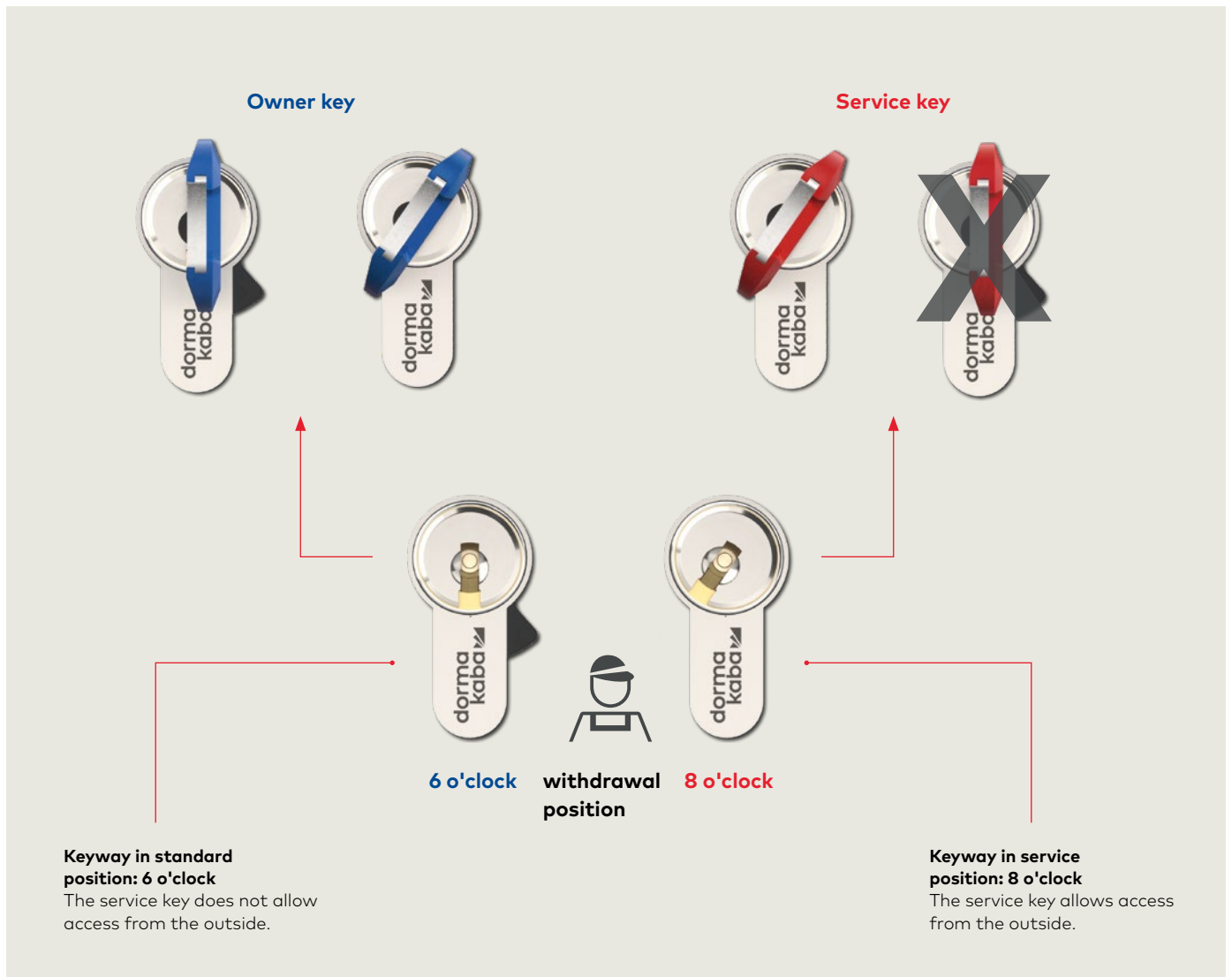
You want to give third parties temporary access, for example cleaning staff, dog or babysitters or neighbours when you are on holiday.

Principle of operation:

There is an owner key and a service key. If the owner key is withdrawn from the SAT lock cylinder in the "8 o'clock" position by the home owner, for example, the door can also be opened with the service key.

If the owner key is withdrawn out in the "6 o'clock" position (vertical position), the door cannot be opened from the outside with the service key.

If the service function is enabled and the door is locked from the inside with the service key, the owner can still unlock from the outside even if the service key is inserted in the lock cylinder from inside. You always have access.



Change access authorization? A conversion key makes this possible!

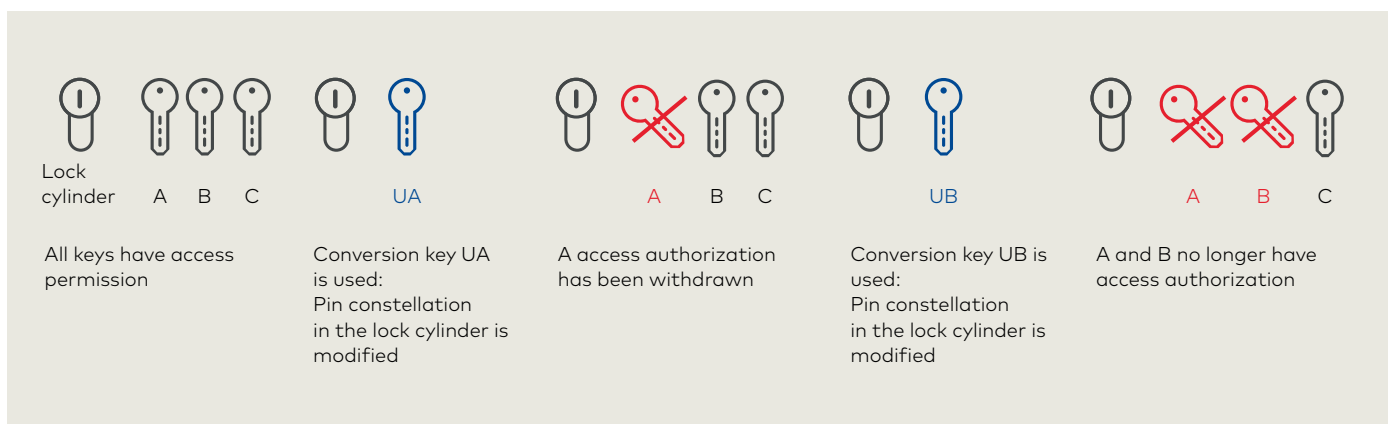
Construction phase function (BAZ3)

Your requirements:

You want to stop giving access to tradesmen after the construction phase has been completed and avoid installing a temporary master key system. Or you would like to quickly change the access authorization without changing all the lock cylinders upon loss of a key.

Principle of operation:

Up to three generations of keys and a corresponding conversion key are available for the BAZ lock cylinder. With a single turn of the lock cylinder using the conversion key, the authorization of the first key expires. Then, only keys of the subsequent generation will work.



Staff access? Yes, while unlocked.

Duplo function (DF)

Your requirements:

You want to grant staff access to certain areas or rooms, for example during business hours. Apart from this, staff may not unlock the doors.

Principle of operation:

The personnel key only activates the latch of the mortise lock and only opens a door if it has been previously unlocked – e.g. at the start of business. The lock bolt can only be operated/the door can only be opened and closed with an owner's key. Required: doors with a rigid knob or fixed handle element on the outside and a mortise door lock with key latch retraction.



Greater convenience

Key left in the lock? Not a problem!

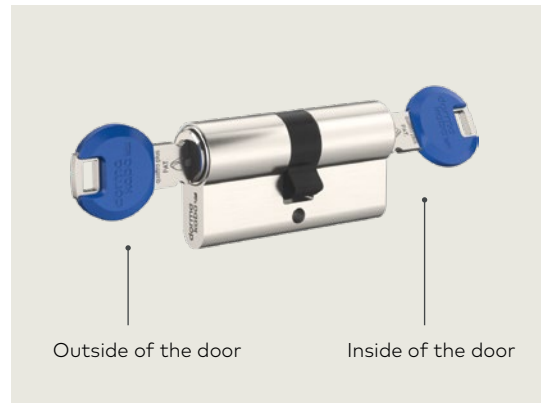
Lock cylinder with key override on both sides (BSZ)

Your requirements:

You want to be able to open doors even if a key is still inserted on the opposite side, e.g. if the front door shuts unintentionally.

Principle of operation:

The special coupling in the double cylinder makes it possible to unlock the door from the opposite side with an authorized key when a key is inserted on one side and rotated in any direction. The inserted key turns with it. This function is guaranteed to work on both sides of the double cylinder.



Someone is blocking from inside? Not a problem!

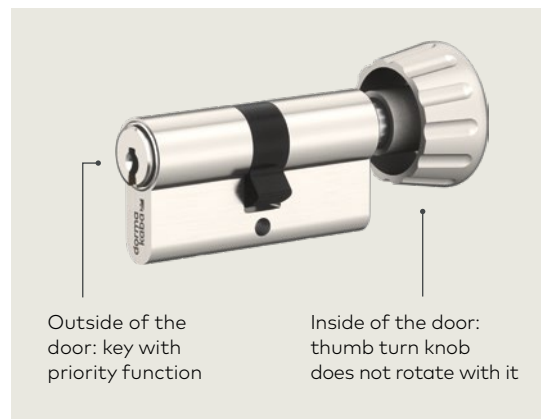
Priority function (PF)

Your requirements:

You want to be able to unblock doors with a thumbturn cylinder or double cylinder from the outside, even if a person is holding the thumbturn knob or the inserted key on the inside. You want to prevent someone from improperly denying others access, e.g. in schools, hospitals or prisons.

Principle of operation:

The key always has priority over a thumbturn knob or key inserted on the opposite side. These do not rotate with it when unlocking and locking.



Multiple locking function? It's quite straightforward.

Cylinder with Cogwheel Cam (ZR)

Your requirements:

You want to make locking and unlatching with special multi-point locks even more convenient?

Principle of operation:

With a cylinder with cogwheel cam, the cam functions like a cogwheel – that is, similar to a gear. These cams are necessary to keep the force exerted on the key to a minimum, especially in the case of multi-point locks.



Protection Against Burglary

Worried about burglary? Trust in security.

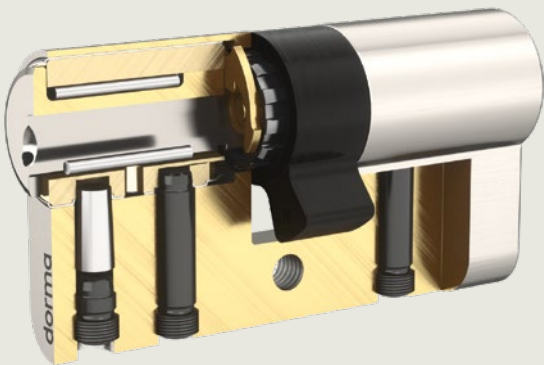
Custom made lock cylinders

Your requirements:

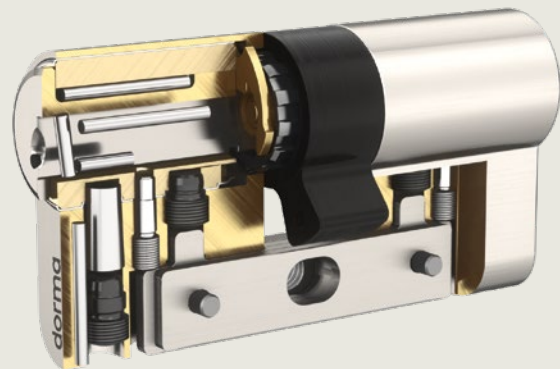
Depending on the door configuration, you have different security requirements in terms of protection against burglary.

Principle of operation:

dormakaba lock cylinders provide adequate basic protection due to the use of high-quality materials. EN 1303 Class B is already fulfilled in the standard cylinder. Through carbide inserts in the insert and housing as well as steel plate reinforcement, we achieve the highest protection grades of the EN 1303 and DIN 18252 standards as well as the VdS certification grade.



Lock cylinder with increased anti-drill protection (BS)



Lock cylinder with increased anti-drill and pulling protection (BZ-LAM)

Security in an emergency

A rush to the panic door? The path is clear.

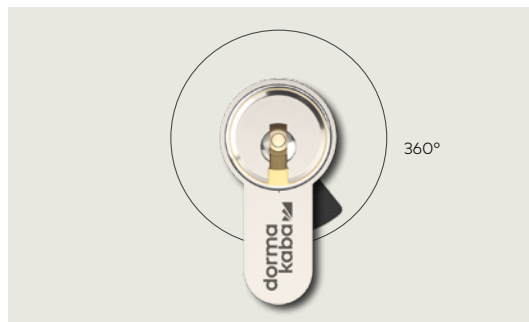
Freewheel cylinder for gear-operated locks (FZG)

Your requirements:

You want to be sure that panic doors will open easily and reliably if something happens.

Principle of operation:

When using an anti-panic lock, the FZG version of the lock cylinder ensures that the lock cylinder cam can always be rotated freely once the key has been withdrawn – even if pressure is applied to the cam during this process by someone actuating the panic push bar.



Locked from the inside? Not an obstacle in an emergency.

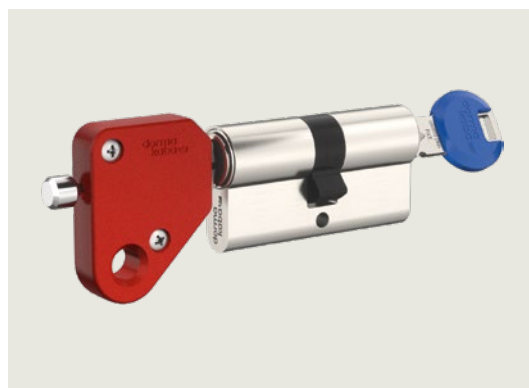
Emergency override key system (GF)

Your requirements:

You want to be able to unlock doors in an emergency or in dangerous situations, even if a key is inserted on the inside. In all other cases, privacy should be guaranteed, for example with regard to doors in assisted living accommodation.

Principle of operation:

If a key is inserted on one side of the door, the double cylinder enables the door to be unblocked from the opposite side, regardless of the rotation of the inserted key. A default key cannot be used for this; rather, a separately managed and registered emergency override key is required.



Longer service life

Cold and damp outside? Everything dry inside.

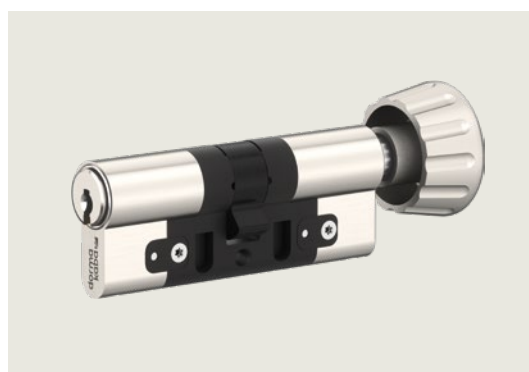
Thermally insulated lock cylinder (TIC)

Your requirements:

You want to avoid the formation of condensation on the inside of the lock cylinder in doors of passive houses. Or there are locks in your master key system that are particularly exposed to the weather

Principle of operation:

The separation of the outside and inside with plastic components ensures thermal insulation. Condensation cannot form on the inside of the door, even when it is extremely cold. A foam rubber seal on the outside of the lock cylinder protects against drafts and driving rain.



Lots of dust in the air? But not in the cylinder. Dust and weather protection (SSW)

Your requirements:

You want to protect locks from external influences in areas exposed to significant environmental stresses, for example dust or splash water.

Principle of operation:

Cylinders with dust and weather protection are equipped with two pivoted, spring-mounted plastic shims on the front. Hard-wearing plastic shims keep out dust and splash water, and their shape makes it easy to insert the key.



Dust or insects? Can't get through. Dust and insect protection (SIS)

Your requirements:

You want to protect locks from the ingress of dust or insects.

Principle of operation:

The key way is closed by two shims and opened by inserting the key. This provides effective protection against the ingress of pollution and insects. The SIS unit can be easily retrofitted. All you need to do is replace the cylinder insert.



Heavy use or corrosion? The lock cylinder is equipped for this. Chemically nickel-plated version (NIC)

Your requirements:

You have lock cylinders that are locked and unlocked very frequently or are threatened by corrosion by sea water. You want these lock cylinders to function properly for a long period of time despite this heavy use.

Principle of operation:

All parts of the lock cylinder are coated with a seawater-resistant nickel layer and hardened by a chemical reaction. This layer prevents corrosion and contributes significantly to reducing wear and tear. This extends the service life.



Special switch solutions

Send an impulse in any position.

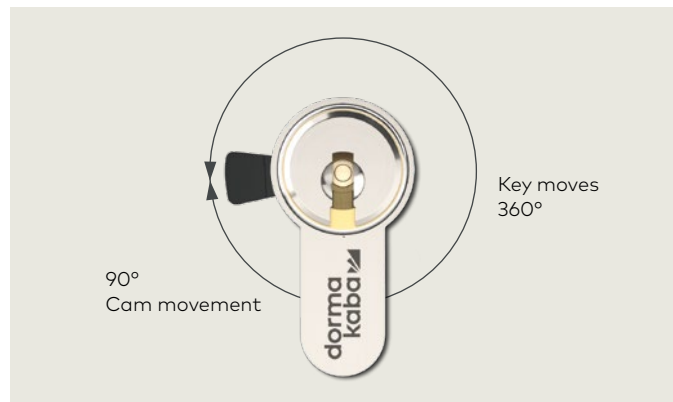
Relative cam movement (RB)

Your requirements:

You want to use keys and lock cylinders for special switching or contact solutions, for example when calling a lift.

Principle of operation:

For cylinders with relative movement, the key can be rotated a full 360°, while the cam only performs a relative movement to a freely selectable position.



Electrical contact via key? Simply plug in!

Contact pin (KT)

Your requirements:

You want to give an electrical signal to a lift or a machine by inserting a key in a secure way, e.g. for conversion to service operation.

Principle of operation:

When the key is inserted into the keyway, the contact pin is pushed downwards. This creates an electrical contact that signals that the key is in the lock cylinder. The contact remains active until the key is withdrawn from the lock cylinder.



No matter how specific your request,
we have a matching lock cylinder.

Do you need lock cylinders for special applications, for example historic doors or protective room doors? dormakaba has matching solutions in extreme lengths so that even doors with unusual dimensions can be closed securely and conveniently.



Possible combinations of special designs

The table below gives an overview of the possible special functions, how they may be combined with each other, and the available cylinder types.

Cylinder types	Order code	Optional special functions „x“ combination possible																		
		BAZ	BAZ3	BSZ	DF	FZG	GF	PF	ZR	RB	KT	SSW	SIS	NIC	TIC	SAT2	SAT1	LAM	VDSB	VDSBZ
Double cylinder	DZ	x	x	x	x	x	x	x		x	x	x		x		x	x	x	x	x
Single cylinder	HZ	x	x		x	x				x	x	x		x		x	x		x	x
Thumbturn	DKZ	x	x			x					x	x		x		x	x	x		
Thermally insulated cylinder – double cylinder	TIC	x	x	x										x	x					
Thermally insulated cylinder – thumbturn	TIC	x	x	x										x	x					

Special functions	Order code	Optional special functions „x“ combination possible																		
		BAZ	BAZ3	BSZ	DF	FZG	GF	PF	ZR	RB	KT	SSW	SIS	NIC	TIC	SAT2	SAT1	LAM	VDSB	VDSBZ
Cylinder with construction key function – change keying 1 x	BAZ			x		x	x	x		x				x	x			x	x	x
Cylinder with construction key function – change keying 2 x	BAZ3			x		x	x	x		x				x	x			x	x	x
Double key override function	BSZ	x	x							x	x	x		x	x	x	x	x	x	x
Duplo function	DF						x	x		x	x	x		x				x		
Freewheel cylinder for gear operated and panic locks	FZG	x	x									x	x				x	x		
Emergency override key function	GF	x	x		x					x	x	x		x			x	x	x	x
Priority function	PF	x	x		x					x	x	x		x			x	x	x	x
Cogwheel cam	ZR	x	x	x	x		x	x	x		x	x	x	x	x			x	x	x
Relative cam movement	RB	x	x	x	x		x	x			x	x		x				x	x	x
Contact pin	KT			x	x	x	x	x	x	x		x		x						
Dust and weather protection	SSW			x	x	x	x	x		x	x			x		x	x	x	x	x
Insect and dust protection	SIS			x	x	x		x	x	x				x	x	x	x	x		
Chemically nickel plated	NIC	x	x	x	x	x	x	x		x	x	x			x	x	x	x	x	x
Thermally insulated cylinder	TIC	x	x	x										x						
Secure Access Temporary Function 2	SAT2				x							x		x				x		
Secure Access Temporary Function 1	SAT1				x		x	x				x				x				
Pulling protection with steel reinforcement plate	LAM	x	x	x	x	x	x	x		x		x		x		x	x			
VdS certified: drilling protection	VDSB	x	x	x			x	x		x		x		x						
VdS certified: Pulling and drilling protection	VDSBZ	x	x	x			x	x		x				x						



**Door
Hardware**



**Electronic
Access & Data**



**Mechanical
Key Systems**



Lodging Systems



**Entrance
Systems**



**Interior Glass
Systems**



Safe Locks



Service

dormakaba
International Holding AG
Hofwisenstrasse 24
CH-8153 Rümlang
T +41 44 818 90 11
info@dormakaba.com
www.dormakaba.com