

SHIELD

with Manet single-point fittings or ceiling connectors

Installation instructions

935001 – 09-2020

| EN |

Table of contents

1	Technical specifications	3
1.1	Overview	3
	1.1.1 General information	3
	1.1.2 Intended use	3
	1.1.3 Glass requirements/fittings/mounting	3
	1.1.4 Requirements for glass panel	3
	1.1.5 Safety instructions	3
	1.1.6 Symbols used - Safety/Installation	3
	1.1.7 Maintenance, care, repair	3
	1.1.8 Disposal	3
2	Installation instructions	4
2.1	Overall	4
2.2	Secure Manet connectors through glass	5
2.3	Secure glass and connectors to mounting surface	6
2.4	Snap cover caps into place	7

1 Technical specifications

1.1 Overview

These instructions are for installation of the SHIELD with Single-Point Fittings or Ceiling Connectors for the following mounting and style versions:

1. Glass mounting

1.1.1 General information

- dormakaba requires use of tempered monolithic glass.
- dormakaba glass hardware is not suitable for harsh environment; for example, applications where chemicals (e.g. chlorine) are used such as indoor swimming pools, saunas, or salt-water pools.

1.1.2 Intended use

- For stationary glass panels in indoor areas only.

1.1.3 Glass requirements/fittings/mounting

- The substructure/wall must be able to bear permanent loads, and be level (max. tolerance: 1/16" [2] per 39" [1m]).
- Fasteners must be sufficiently dimensioned for the substructure/wall and weight of the door.
- When adjusting glass elements, always stick to the required clearance for the respective hardware. Adjust clearance so glass does not come in contact with any hard surfaces such as glass, metal or concrete.
- Do not use excessive force when installing the glass (avoid over tightening screws.)

1.1.4 Requirements for glass panel

- dormakaba requires use of fully tempered glass, which complies with ASTM C 1036 and ASTM C 1048. Secondary heat soaking processes are optional but not required.
- Clamping area must be flat and uncoated (no self-cleaning coating!)
- Never use glass with conchoidal fractures and/or damaged edges.

1.1.5 Safety instructions

- Installation requires two people.
- Always wear protective clothing.
- Only properly qualified and specially trained staff are authorized to mount dormakaba glass hardware.

- Due to crushing hazards and possible injury caused by breakage of glass during mounting, corresponding protective clothing (especially gloves and protective goggles) is required.
- Never clamp metal fitting hardware directly to glass surface.

1.1.6 Symbols used - Safety/Installation



CAUTION

Mounting components must meet the requirements of substructure/wall and door weight. Please read the technical information for fittings.



WARNING

Risk of breaking glass. When installing the door, support the door panel with a block of wood or similar object.



CLOSING EDGE OF DOOR

1.1.7 Maintenance, care, repair

- Immediately replace damaged parts.
- Always use original dormakaba parts.
- Clean clamping area with alcohol-based standard commercial cleaning agent before mounting the glass hardware.
- Use a damp cloth for occasional cleaning.
- Always use silicone - and oil-free cleaners (e.g. acetone).
- Check glass hardware at regular intervals for proper positioning, smooth operation and correct adjustment.
- High traffic systems require inspection by properly qualified staff (specialized companies or installation firms.)
- Function of fittings is recommended to be inspected every 500,000 movements by a specialist.

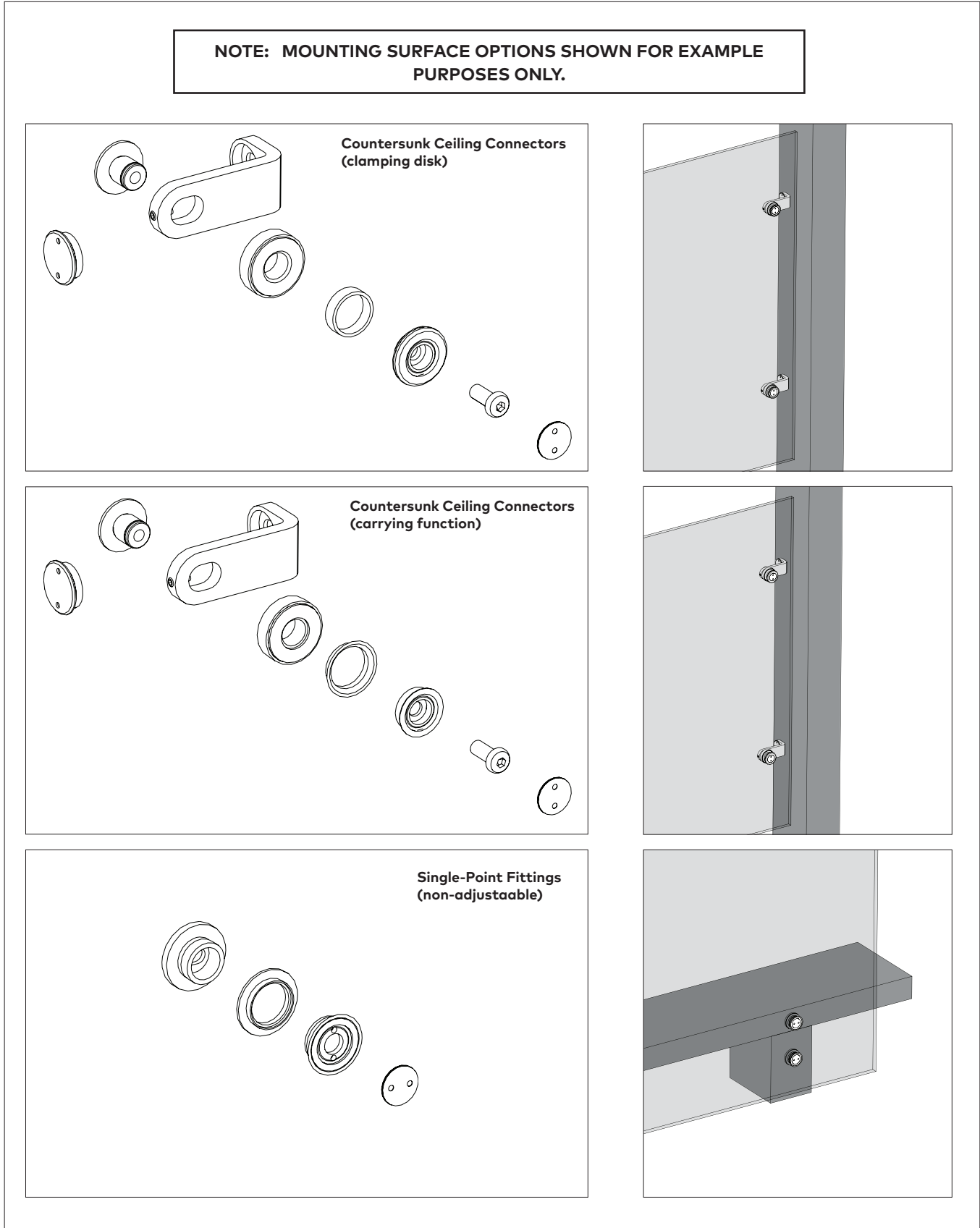
1.1.8 Disposal

Disposal in accordance with local, state and national regulations.

2 Installation instructions

2.1 Overall

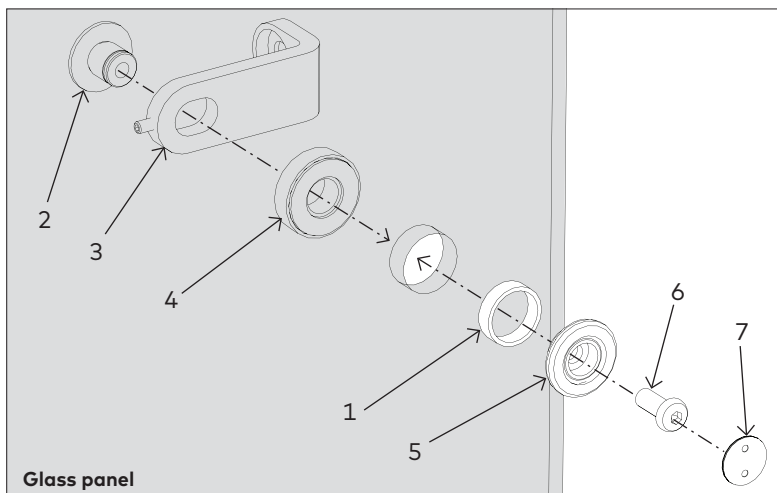
Fig. 1



2.2 Secure Manet connectors through glass

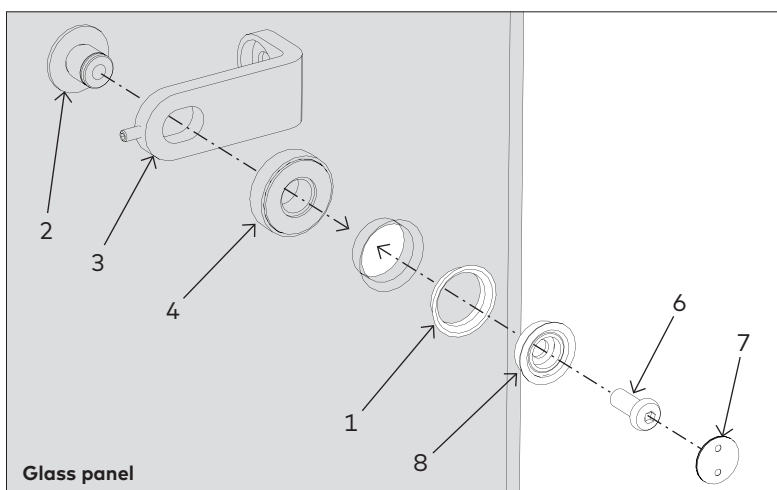
Fig. 2

Countersunk Ceiling Connectors (clamping disk)



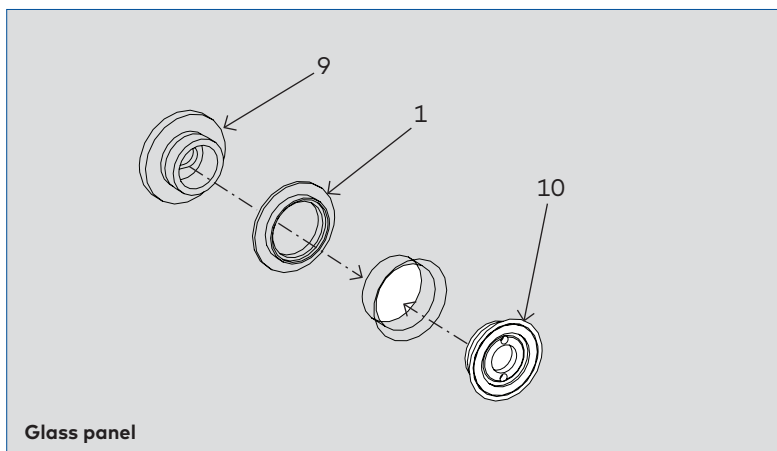
- 2.2.1 Insert bushing (1) into glass.
- 2.2.2 Press capture cap (2) through connector (3) and spacer (4), and into hole in glass.
- 2.2.3 Press clamping disk (5) through opposite side of glass.
- 2.2.4 Secure all connector parts to glass via included screw (6).
 - Use a 5mm hex key.
- 2.2.5 Snap cover cap (7) into place.

Countersunk Ceiling Connectors (carrying function)



- 2.2.1 Insert countersunk bushing (1) into glass.
- 2.2.2 Press capture cap (2) through connector (3) and spacer (4), and into hole in glass.
- 2.2.3 Press countersunk fitting (8) through opposite side of glass.
- 2.2.4 Secure all connector parts to glass via included screw (6).
 - Use a 5mm hex key.
- 2.2.5 Snap cover cap (7) into place.

Single-Point Fittings (non-adjustable)

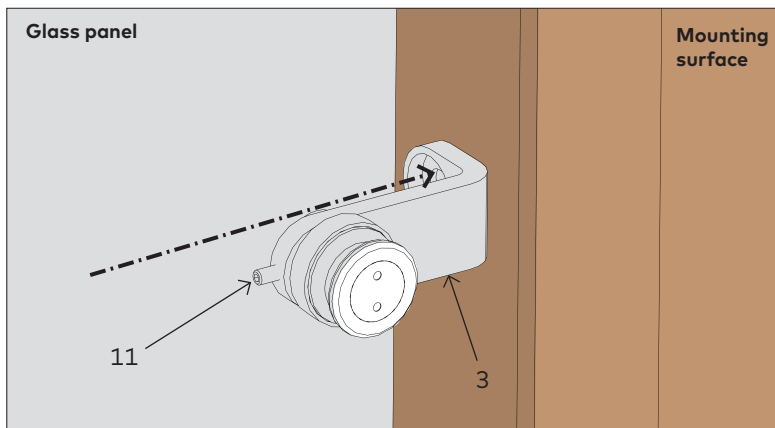


- 2.2.1 Insert bushing (1) into glass.
- 2.2.2 Press single-point fitting capture cap (9) through bushing and into hole in glass.
- 2.2.3 Press countersunk single-point fitting (10) through opposite side of glass.

2.3 Secure glass and connectors to mounting surface

Fig. 3

Countersunk Ceiling Connectors (clamping disk)



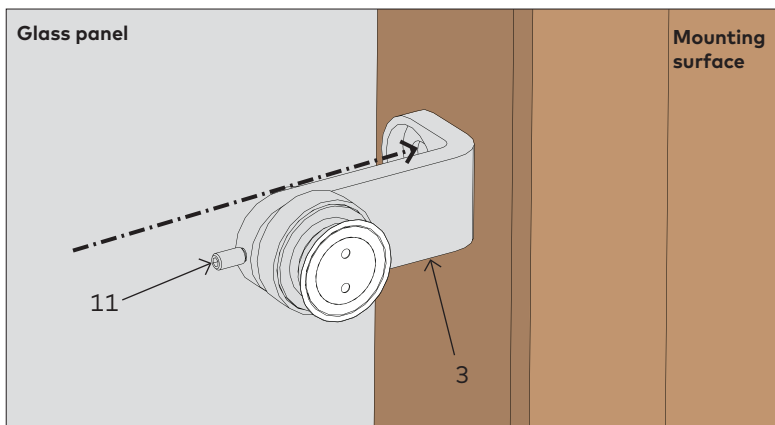
NOTE: Mounting surface shown for example purposes only.

- 2.3.1 Lock all connector parts together by tightening set screw (11).
- 2.3.2 Align glass panel to appropriate location on mounting surface.

NOTE: Ensure glass is plumb and level.

- 2.3.3 Secure connectors (3) to mounting surface with fasteners appropriate to mounting surface material.

Countersunk Ceiling Connectors (carrying function)



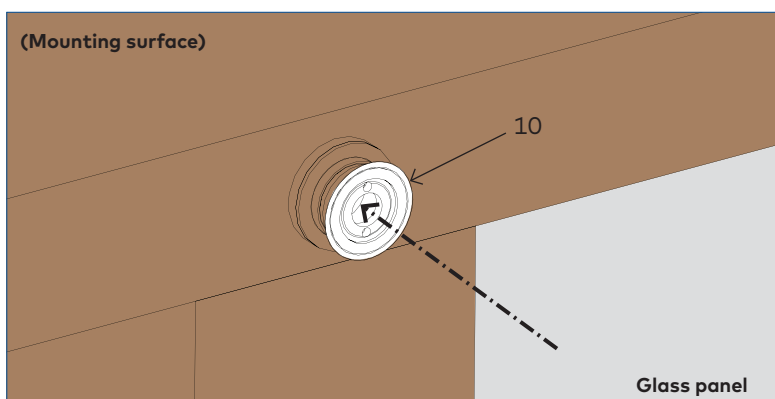
NOTE: Mounting surface shown for example purposes only.

- 2.3.1 Lock all connector parts together by tightening set screw (11).
- 2.3.2 Align glass panel to appropriate location on mounting surface.

NOTE: Ensure glass is plumb and level.

- 2.3.3 Secure connectors (3) to mounting surface with fasteners appropriate to mounting surface material.

Single-Point Fittings (non-adjustable)



NOTE: Mounting surface shown for example purposes only.

- 2.3.1 Align glass panel to appropriate location on mounting surface.

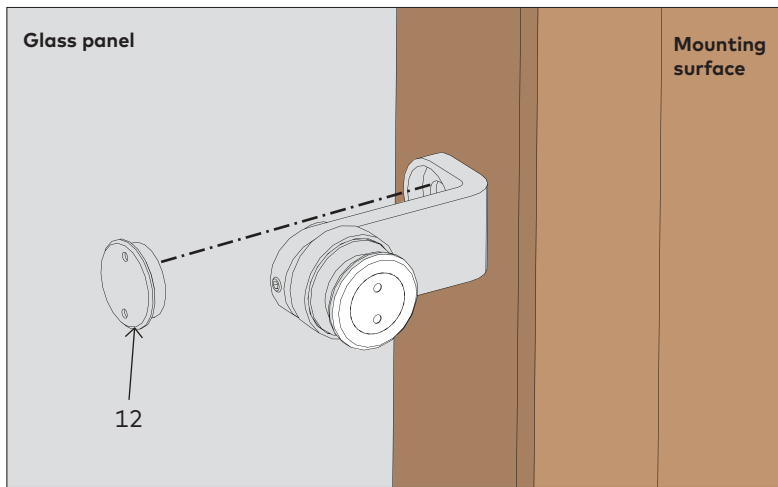
NOTE: Ensure glass is plumb and level.

- 2.3.2 Secure to mounting surface through countersunk single-point fittings (10) with fasteners appropriate to mounting surface material.

2.4 Snap cover caps into place

Fig. 4

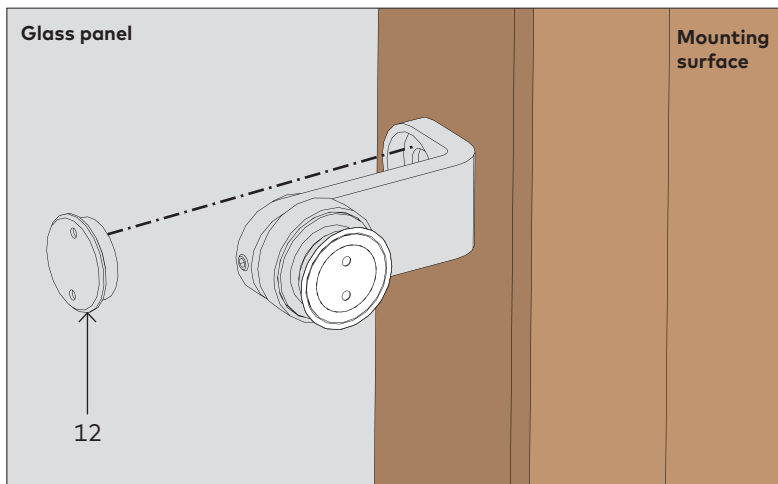
Countersunk Ceiling Connectors (clamping disk)



NOTE: Mounting surface shown for example purposes only.

2.4.1 Snap connector caps (12) into place.

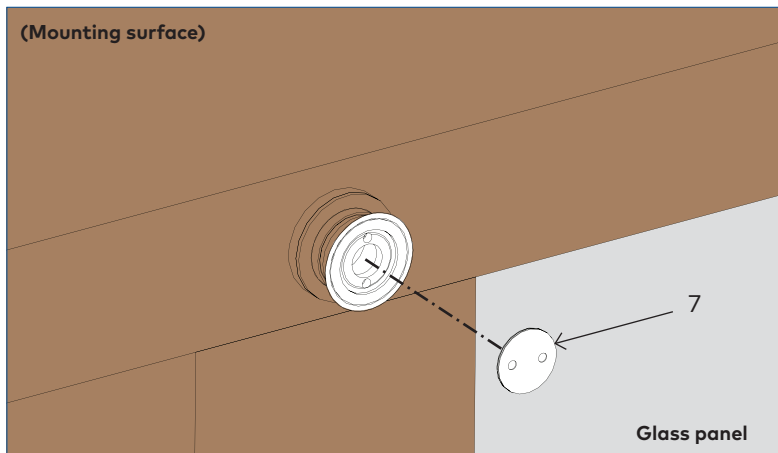
Countersunk Ceiling Connectors (carrying function)



NOTE: Mounting surface shown for example purposes only.

2.4.1 Snap connector caps (12) into place.

Single-Point Fittings (non-adjustable)



NOTE: Mounting surface shown for example purposes only.

2.4.1 Snap cover caps (7) into place.

