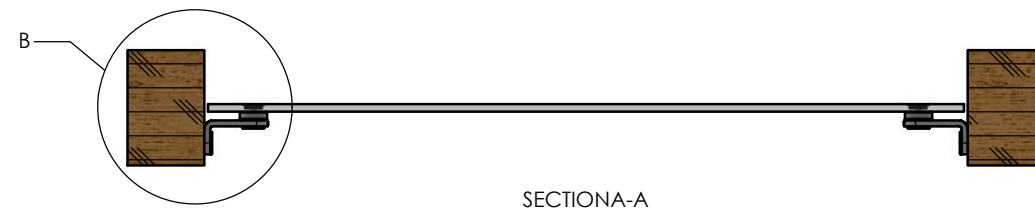
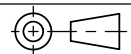
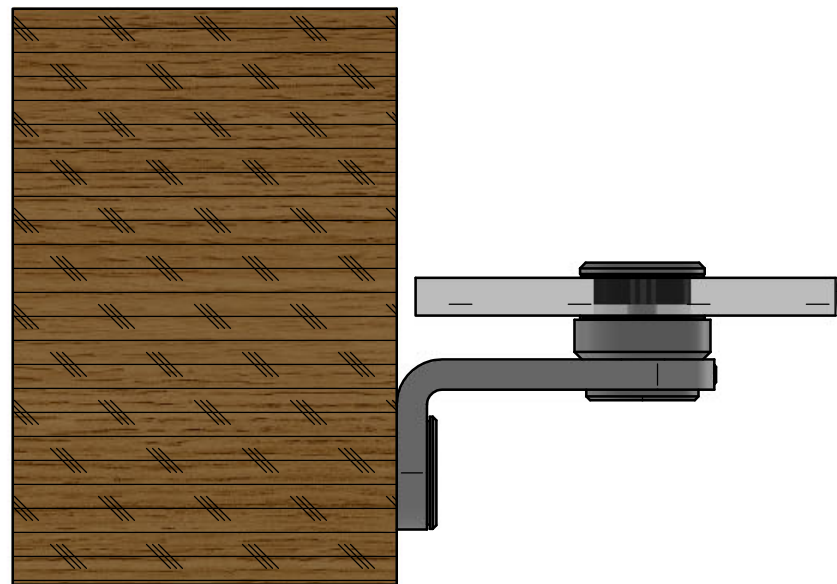
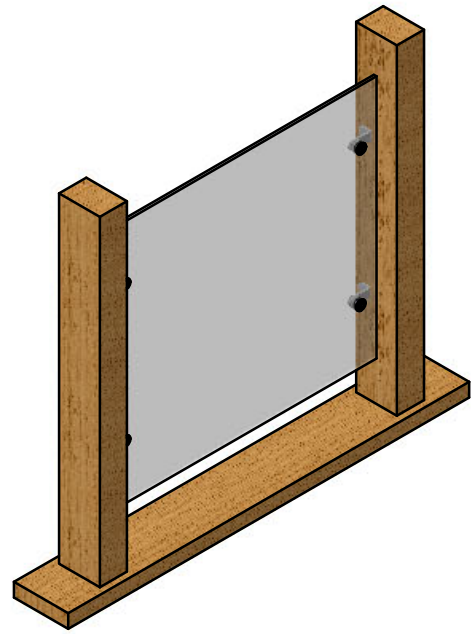


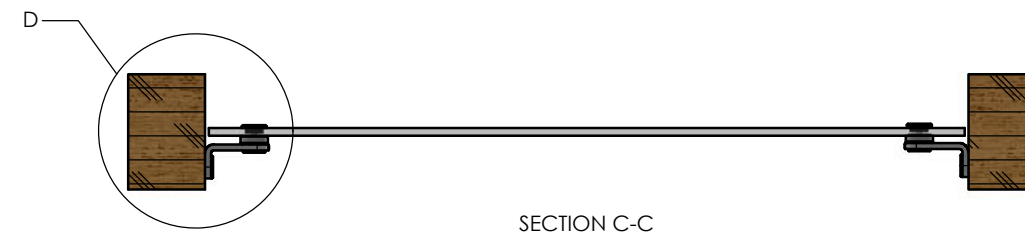
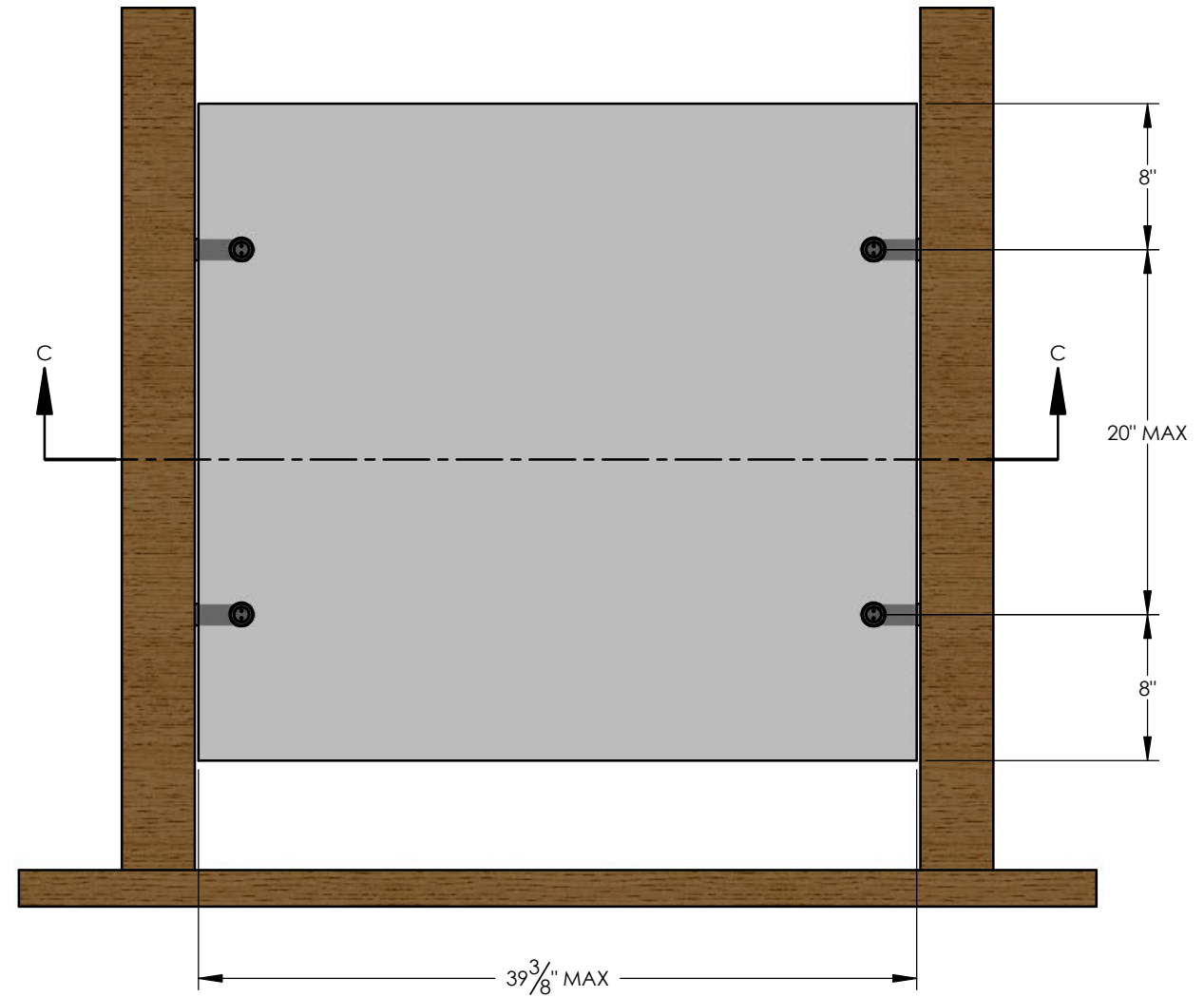
DETAIL B
SCALE 1 : 2


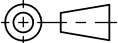


<p>THIS DOCUMENT CONTAINING DRAWINGS AND INFORMATION DERIVED THEREFROM OR THEREON IS CONFIDENTIAL AND PROPRIETARY TO dormakaba USA INC. THIS DOCUMENT IS SUBMITTED IN CONFIDENCE AND ITS CONTENTS MAY NOT BE DISCLOSED, REPRODUCED, OR REVEALED IN ANY MANNER WITHOUT PRIOR WRITTEN CONSENT FROM dormakaba USA INC. THIS DOCUMENT WILL BE RETURNED TO dormakaba USA INC. UPON DEMAND.</p>	DO NOT SCALE DRAWING		<small>dormakaba USA, INC. DORMA DRIVE REAMSTOWN, PA 17567 800 523 8483</small>		
	<small>INTERPRET DRAWING PER ASME Y14.41 STANDARDS 3D MODEL GOVERNS ALL UNSPECIFIED DIMENSIONS ALL DIMENSIONS ARE IN INCHES. TOLERANCES UNLESS OTHERWISE SPECIFIED: .X .XX .XXX $\frac{\quad}{\quad}$ FRACTIONS 125 $\pm .050 \pm .010 \pm .005 \pm 1/2 \pm 1/32$ HOLE ϕ: +.005/- .002</small>	<small>DRAWN BY:</small> 			dormakaba
	<small>THREAD CLASS: 2A-2B REMOVE ALL BURRS & SHARP EDGES W/R.005 OR CHAMFER MAX. PRIOR TO PRODUCTION, A DETAILED INSPECTION REPORT AND SAMPLES MUST BE SENT TO, AND APPROVED BY dormakaba PROD. DEVELOPMENT.</small>	<small>CHECKED BY:</small> 	SHIELD MANET INTERMEDIATE RECESSED 3/8-1/2		<small>TITLE</small>
	<small>FINISH:</small> 	<small>MATERIAL:</small> 	<small>SHEET SIZE:</small> 	<small>DWG NO:</small> 935-100	<small>REV:</small>
		<small>B</small>	<small>SCALE 1:10</small>	<small>SHEET 1 OF 2</small>	



DETAIL DETAILED
SCALE SCALE1 : 2



<p>THIS DOCUMENT CONTAINING DRAWINGS AND INFORMATION DERIVED THEREFROM OR THEREON IS CONFIDENTIAL AND PROPRIETARY TO dormakaba USA INC. THIS DOCUMENT IS SUBMITTED IN CONFIDENCE AND ITS CONTENTS MAY NOT BE DISCLOSED, REPRODUCED, OR REVEALED IN ANY MANNER WITHOUT PRIOR WRITTEN CONSENT FROM dormakaba USA INC. THIS DOCUMENT WILL BE RETURNED TO dormakaba USA INC. UPON DEMAND.</p>	DO NOT SCALE DRAWING		<small>dormakaba USA, INC. DORMA DRIVE REAMSTOWN, PA 17567 800 523 8483</small>	
	<small>INTERPRET DRAWING PER ASME Y14.41 STANDARDS 3D MODEL GOVERNS ALL UNSPECIFIED DIMENSIONS ALL DIMENSIONS ARE IN INCHES. TOLERANCES UNLESS OTHERWISE SPECIFIED: .X .XX .XXX $\frac{\quad}{\quad}$ FRACTIONS 125 $\pm .050 \pm .010 \pm .005 \pm 1/2 \pm 1/32$ HOLE ϕ: $+ .005 / - .002$</small>	<small>DRAWN BY</small> 		
	<small>THREAD CLASS: 2A-2B REMOVE ALL BURRS & SHARP EDGES W/R.005 OR CHAMFER MAX. PRIOR TO PRODUCTION, A DETAILED INSPECTION REPORT AND SAMPLES MUST BE SENT TO, AND APPROVED BY dormakaba PROD. DEVELOPMENT.</small>	<small>CHECKED BY:</small> 	SHIELD MANET INTERMEDIATE RECESSED 3/8-1/2	
	<small>FINISH</small>  <small>THIRD ANGLE PROJECTION</small>	<small>MATERIAL</small> 	<small>SHEET SIZE</small> <p style="text-align: center;">B</p>	<small>DWG NO</small> <p style="text-align: center;">935-100</p>
		<small>SCALE 1:10</small>	<small>REV</small> 	<small>SHEET 2 OF 2</small>