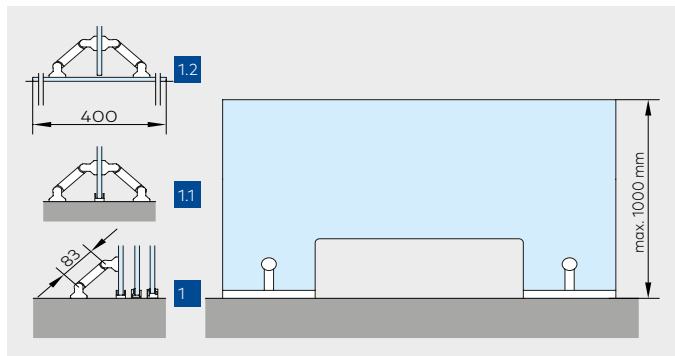
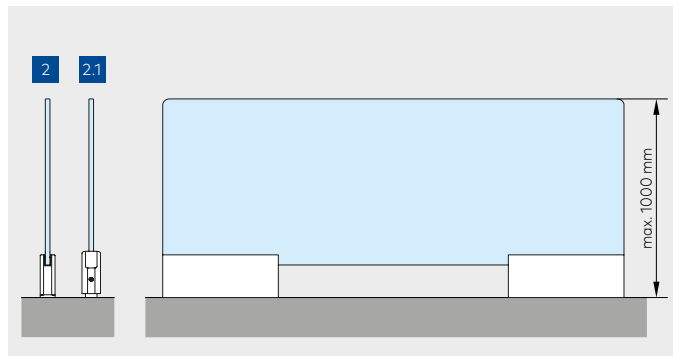




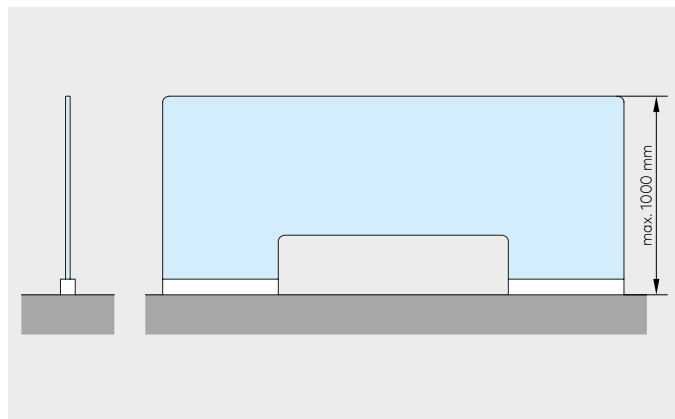
Being kind
to each other.
With hygienic screens.



Variants 1 / 1.1 / 1.2



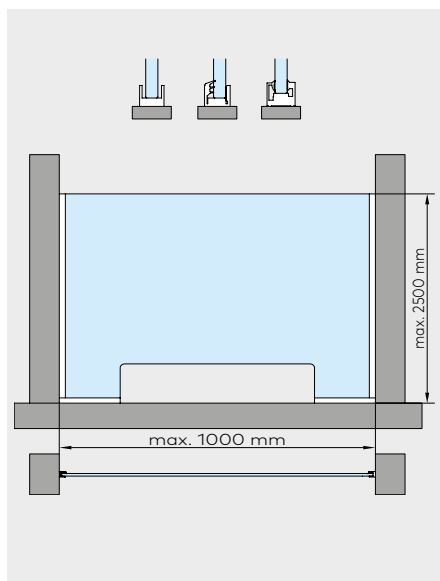
Variants 2 / 2.1



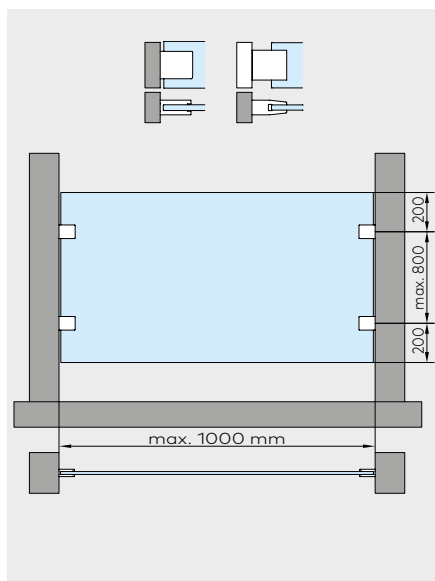
Variant 3



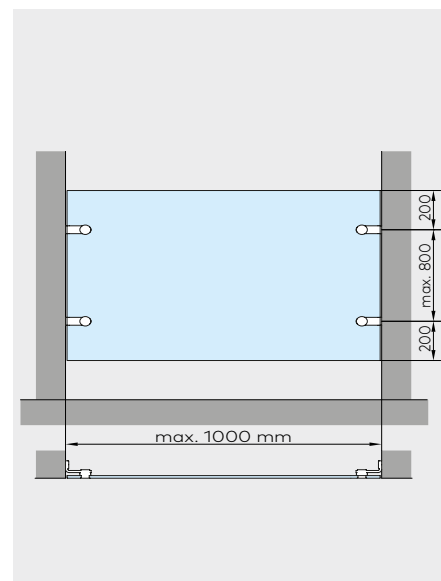
Variant 3



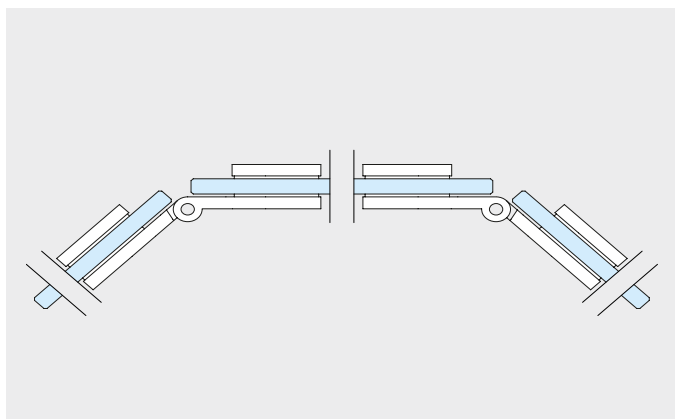
Variant 4



Variant 5



Variant 6



Variant 7



Variant 7

A smile connects. Glass protects.

Separation?
Only when it comes to
your protection.
Find out how our
solutions are connecting.

Being kind to each other always means to cultivate
respect and consideration in dealing with each other.
Hygienic glass screens make a valuable contribution to
this. They serve both sides as protection and are at the
same time a connecting element through full
transparency.

Various solutions are available for connecting the glass
elements to each other or to existing work surfaces,
such as service counters or in the pay area. Depending
on your wishes and requirements, you have the choice.

Design options for your hygienic wall

- **Mounted and fixed at the bottom, with free edges at the sides**
Variants 1 / 1.1 / 1.2: Fitting attachment via glass drilling
Variants 2 and 3: Clamped glass fixation
- **Fixed between two columns or walls, with or without partial downward connection**
Variants 4 and 5: Clamped glass fixation
Variant 6: Fitting fastening via glass drilling
- **Flexibly relocatable, with movable lateral wings**
Variant 7: Fitting fastening via glass drilling

Important for planning, ordering and installation

- **Screen material and dimensions**
The applicable material thicknesses and pane dimensions can vary depending on the variant. Please note the information in the following table.
- **Fitting material**
In the MANET variants (1 / 1.1 / 1.2 and 6) the fittings are made of stainless steel.
For the other variants (AL powder-coated) you can choose the finish to match your interior design.
- **Prices and delivery times**
These depend on the finish selected.
You can find all of these under the article numbers given in our price list
- **Assembly**
For permanently mounted hygienic walls, please select the fixing parts suitable for the existing material at the mounting position. If necessary, follow the instructions in the table below.

Variants	Article order details			Technical data			Instructions
	No	No	Description	Mat. thickness ¹⁾ mm	Max. width mm	Max. height mm	
Variant 1 MANET stable	2	29.160 or 29.165	Pivoting glass clamp	8, 10, 12	1000 (per fixing pair)	1000	
	2	21.357	Connecting rod				
	2	21.141	Pivoting wall fixing				
	2	36.811 or 07.093	U-profile (indicate length)				
Variant 1.1 MANET light	2	29.149	Clamping connector	8, 10, 12	1000 (per fixing pair)	1000	
	4	21.357	Connecting rod				
	4	21.141	Pivoting wall fixing				
	2	36.811 or 07.093	U-profile (indicate length)				
Variant 1.2 MANET mobile	2	29.149	Clamping connector	8, 10, 12	1000 (per fixing pair)	1000	Depth of base plate min. 400 mm
	4	21.357	Connecting rod				
	4	29.160	Pivoting wall fixing				
	2	36.811 or 07.093	U-profile (indicate length)				
Variant 2 Door rail G	2	04.301	Bottom door rail for sidelight (Indicate length* and material thickness)	8, 10, 12	unlimited	1000	Fixing points at least every 60 mm * Rail length with symmetrical layout = $\frac{\text{Glass width} - \text{Pass-through width}}{2} - 4,5 \text{ mm}$
	2	8.04.082.309.55	End cap 107 mm				
Variant 2.1 Door rail ES	2	40.901	Bottom door rail for sidelight (Indicate length* and material thickness)	10, 12, 12,8	unlimited	1000	Fixing points at least every 60 mm * Rail length with symmetrical layout = $\frac{\text{Glass width} - \text{Pass-through width}}{2} - 4,5 \text{ mm}$
	2	8.40.073.109.99	End cap				
Variant 3 Wall connecting profile	2	07.050 (8 mm) or 07.051 (10 mm) or 07.052 (12 mm)	Base profile (indicate length)	8, 10, 12	unlimited	1000	Fixing points at least every 60 mm
	4	07.053	Cover profile (indicate length)				
	4	07.007 (8+10 mm) or 07.044 (12 mm)	End cap				
Variant 4 Profile basic	2	36.811 or 07.250 or 07.093	MUTO floor profile or MR22 or U-profile (always indicate length)	8, 10, 12 8, 10 8, 10, 12	1000	2500	Framing on three sides necessary. U-profile 07.093 without end caps. MUTO profile 36.811 includes end caps
	4	07.245 (only for 07.250)	End cap MR				
Variant 5 Clamp fixing	4	07.021	PT 90	8, 10, 12	1000	1200 (per fixing pair)	
	4	07.037 (8 mm) or 07.038 (10 mm) or 07.039 (12 mm)	Clamping fitting				
Variant 6 MANET connector	4	29.337 or 29.338	Ceiling connector	8, 10, 12	1000	1200 (per fixing pair)	
Variant 7 Hinged screen	4	12.030 or 12.032	Screw-in hinge	8, 10			Optional: With profiles 36.811 or 07.093 lateral wings can be additionally fixed at the installation position.

¹⁾ We recommend the use of glass (TSG). Glass has a particularly dense, hard surface and can be easily cleaned regularly with highly effective disinfectants.



**Door
Hardware**



**Entrance
Systems**



**Electronic
Access & Data**



**Interior Glass
Systems**



**Mechanical
Key Systems**



Service

**dormakaba International
Holding AG**

Hofwisenstrasse 24

CH-8153 Rümlang

T +41 44 818 90 11

info@dormakaba.com

www.dormakaba.com

www.glas-innovationen.com