

# ML100 Motorised Cabinet Lock

## Operation Manual

The ML100 motorised cabinet lock is a fail-secure, compact low voltage electronic locking device.

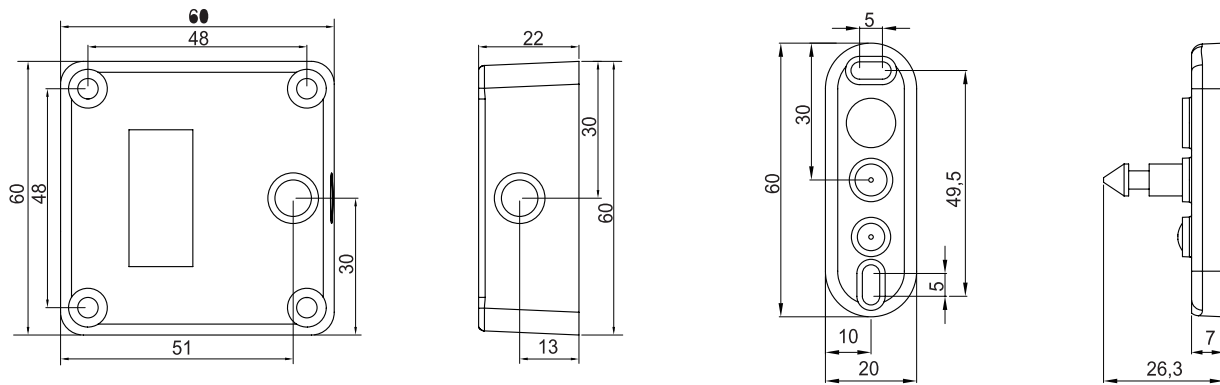
Perfectly suited for small enclosures such as drawers, letter boxes, filing cabinets, drug cabinets and lockers.

Included as standard are lock status and door status outputs for monitoring purposes and the built-in spring release feature pushes the door open when the lock is operated.

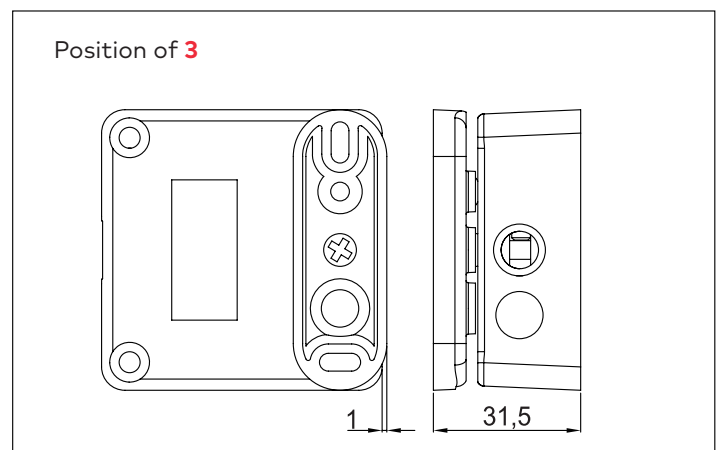
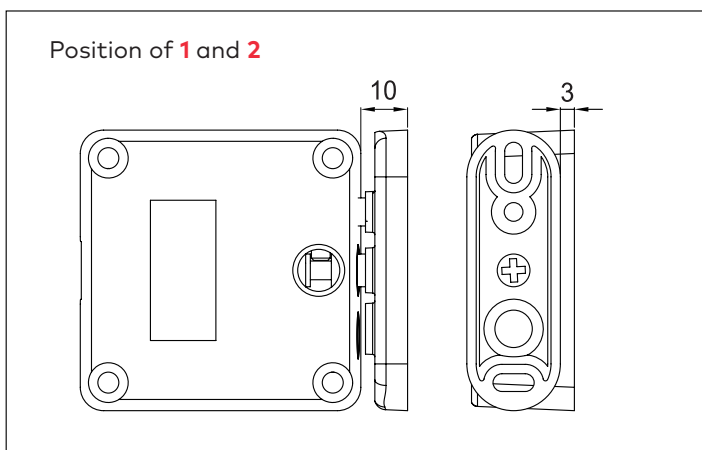
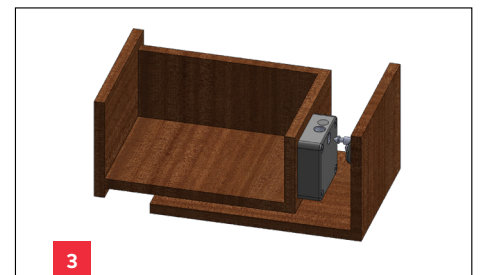
The ML100 provides a full voltage application of 12-28VAC/DC.

<b>Voltage</b>	12-28VAC/DC
<b>Voltage tolerance</b>	+/- 15%
<b>Current draw</b>	
Holding:	69mA/12VDC, 69mA/24VDC
Operating:	165mA/12VDC, 165mA/24VDC
<b>Monitoring switches</b>	
Lock status:	1A/125VAC (NC/COM)
Door status:	0.5A/100VDC(NO/COM)
<b>Operating Temperature</b>	-10°C ~ +45°C
<b>Humidity</b>	0 ~ 95%
<b>Operating Mode</b>	Fail-secure
<b>Material</b>	Polyamide plastic

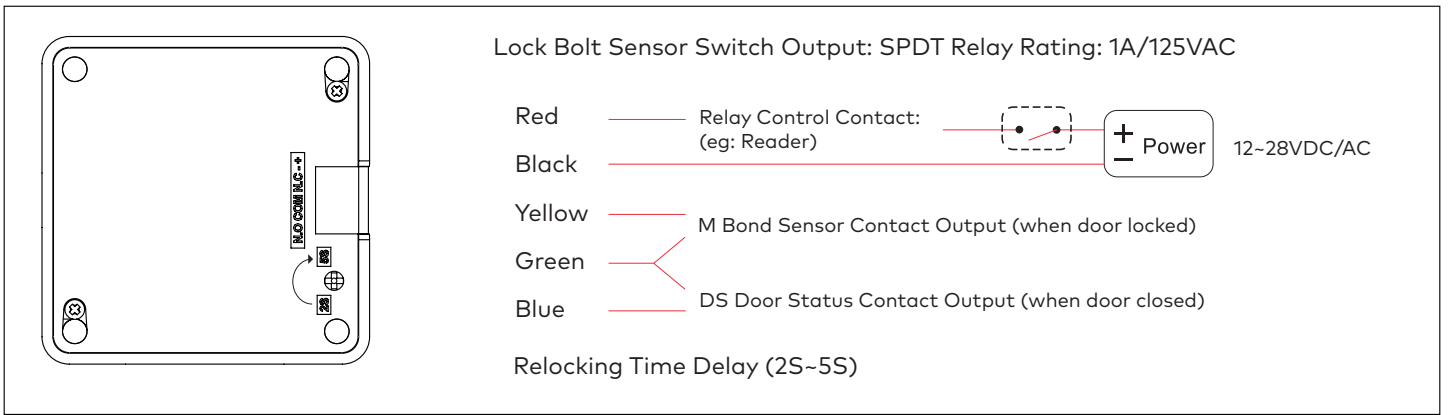
### Dimensions



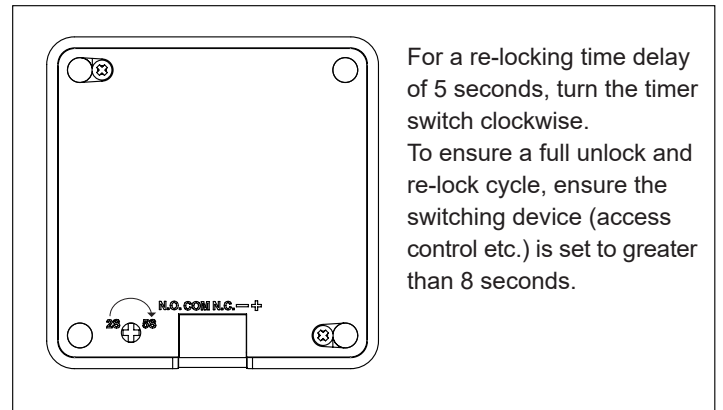
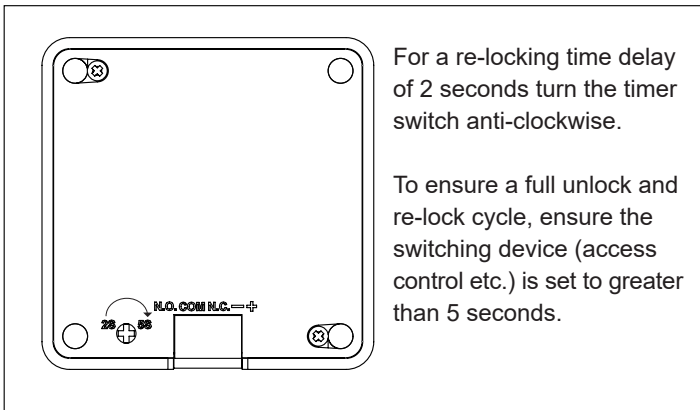
### Mounting Positions



## Wiring Diagram



## Relock Time Delay



## Door Status Installation Position

