

## 90 09M Touchless switch

The unique low-profile 90 09M touchless switch is a contactless actuator utilising capacitive proximity technology. Upon activation, the aesthetically pleasing backlight design will change colour from white to green with an optional audible beep. The touchless switch is also supported by a mechanical override function in the event of power or electronic failure.

The 90 09M also offers a selectable open time between 1-15 seconds and a typical detection zone setting of 25-50mm for different installation environments to reduce unwanted activations.

### Features

- Hands free – reduces the spread of germs and bacteria
- Selectable unlock time (1-15 seconds)
- Variable voltage 12-24VDC
- Visible colour change and audible beep (optional) when activated
- Optional EXIT or HAND wave gesture
- Mounts on single gang electrical box

### Additional functions (optional)

- Optional remote control (433MHz) feature and up to 5 remotes can be added

### Product Advantages

- Hands free to reduce spread of germs
- Back up mechanical switch in case of power failure
- Capacitive proximity technology
- Visual back light design
- Colour - black or white

### Convenient installation

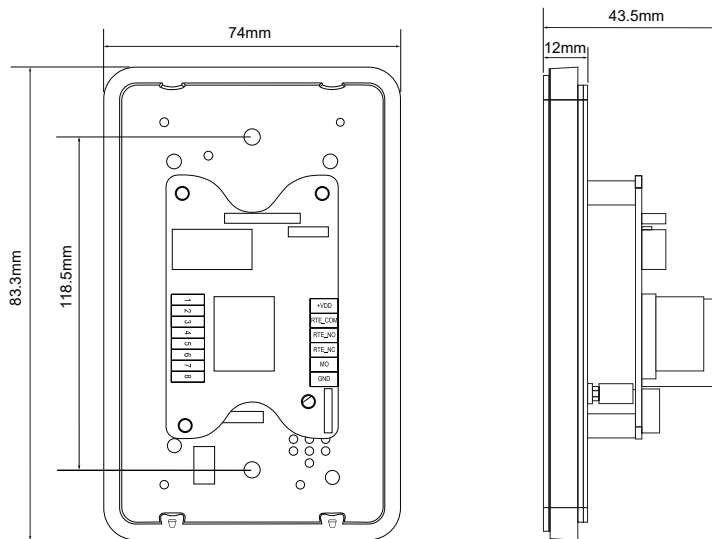
- Fits standard size switch plate and electrical gang box
- Removeable plug in terminal block for ease of wiring

### Typical applications

- Health care facilities
- Office complexes
- Retail outlets
- Educational facilities

# Features

Dimensions	118.2(L) X 74.2(W) X 8.5(H) mm	
Detection Mode	Proximity	
Technology	Capacitive proximity sensor	
Detection Zone	Adj. 25-50mm	
Output	Dry contact (SPDT) rated @ 30VDC/1Amp	
Switch mode	Momentary	
Voltage	12-24VDC	
Voltage tolerance	+/-10%	
Current draw	Standby	50mA
	Activated	115mA
Weather rating	Indoor	
Operating temperature	-20oC ~ +60oC	
Operating humidity	10%-90%	
Colour	Black White	
Material	PC + ABS	



This Touchless switch is ideal for areas where sanitary requirements are critical such as hospitals and health care facilities and with the ability to add a remote-control receiver adds an additional layer of convenience in a single device.

In addition, the 90 09M provides the ability of installing directly on a standard AU/ANSI size electrical gang plate or box and the removable plug in terminal block makes it simple to wire.

dormakaba Australia  
Head Office  
46-52 Abbott Road  
Hallam VIC 3803  
T: 1800 675 411  
info.au@dormakaba.com  
www.dormakaba.com.au

dormakaba New Zealand  
Head Office  
Building P, 61-69 Patiki Road  
Avondale, Auckland 1026  
T: 0800 436 762  
info.nz@dormakaba.com  
www.dormakaba.co.nz

## Models



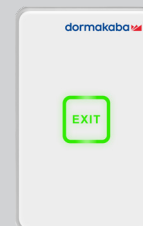
**9009MAHB**  
Order No. 9400000011758  
(Standby mode shown)



**9009MAXB**  
Order No. 9400000011762  
(Activated mode shown)



**9009MAHW**  
Order No. 9400000011759  
(Standby mode shown)



**9009MAXW**  
Order No. 9400000011763  
(Activated mode shown)