

TS 97 FL XEA

Free-swing slide channel door closer in XEA design



For easy use of fire and smoke check doors combined with safe closing in an emergency

The TS 97 FL XEA is the new hold-open device with a free-swing function from dormakaba, which combined with a smoke detector system (e.g. RMZ), can be used as a hold-open system for fire doors.

An integrated solution plus built-in smoke detector system, is also available in the form of the TS 97 FLR-K XEA.

In both systems, the free-swing function is activated from a door opening angle of $>0^\circ$ so that the door can be operated without resistance.

In the event of an alarm or power failure, however, the door is reliably closed by the re-instated action of the door closer.

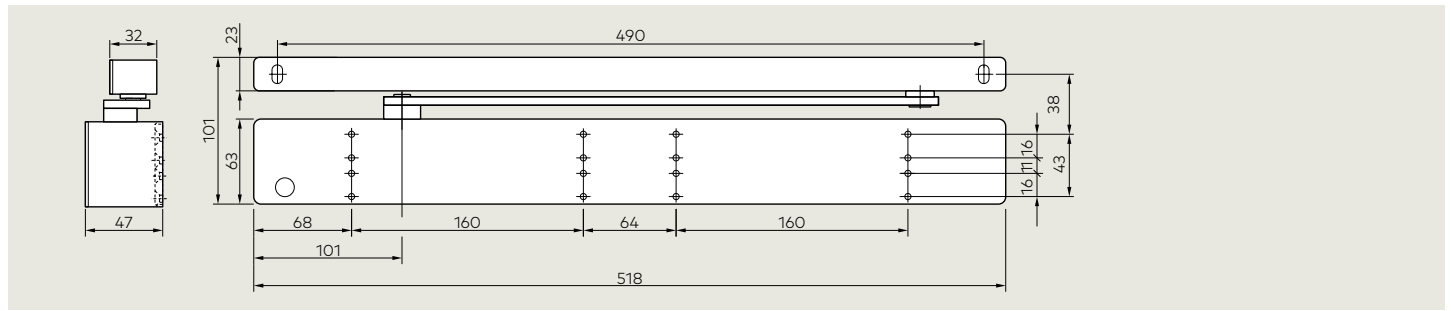
Surface-mounted free-swing door closer with maximum closing force EN 6 is suitable especially for fire and smoke check doors up to a door width of 1400 mm and weight of 180 kg which need to close against pressure.

The adjustable latching action enables a reliable closing of the door. In combination with the door coordinator system GSR XEA the TS 97 FL XEA is also usable on the active leaf of double doors. TS 97 FL XEA and TS 97 FLR-K XEA are also suitable for barrier-free building as per DIN 18040.

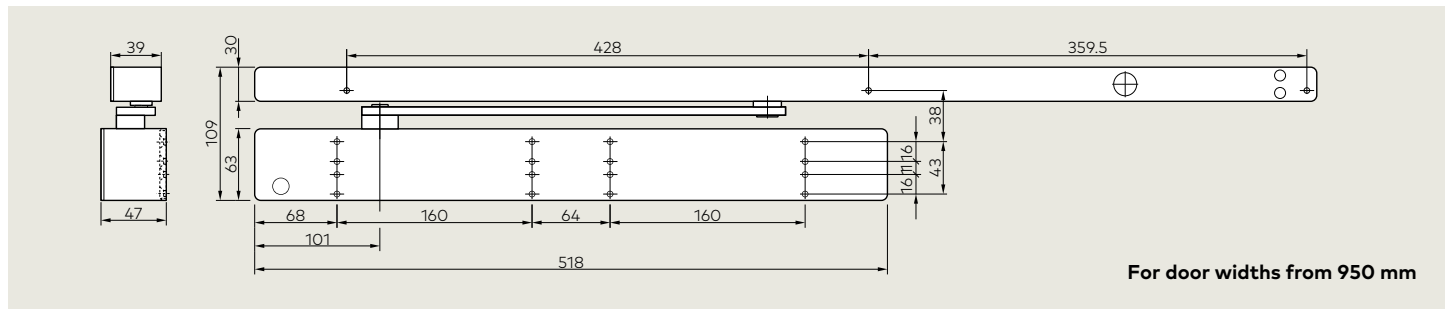
Benefit

- Adjustable closing force of EN 3-6
- Barrier-free thanks to the proven EASY OPEN technology – as per DIN 18040 and DIN SPEC 1104 (CEN / TR 15894)
- Convenient use of the door – the free-swing function is activated as soon as the door is opened – irrespective of the door opening angle.
- For Fire and smoke check doors up to a door width of 1400 mm and a weight of 180 kg
- Closing speed continuously adjustable at valve
- Non-handed
- Adjustable latching action for a reliable closing of the door.
- Uniform appearance in the dormakaba XEA design

TS 97 FL XEA

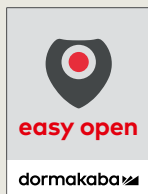


TS 97 FLR-K XEA



For door widths from 950 mm

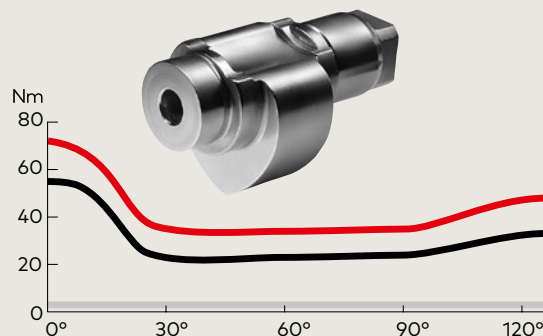
Data and features		TS 97 FL XEA	TS 97 FLR-K XEA
Continuously adjustable closing force	Size	EN 3-6	EN 3-6
General doors	1,400 mm	●	●
Fire and smoke doors	≤ 1,400 mm	●	●
Same design for DIN-L (left-handed door) and DIN-R (right-handed door)		●	●
Slide channel		●	●
Closing time continuously adjustable using valve		●	●
Latching action continuously adjustable using valve		●	●
Mechanical cushioned limit stay		○	○
Fail-safe from a door opening angle of > 0°		●	●
Weight in kg		5.2	5.7
Dimensions in mm (without slide channel)	Length	518	518
	Installation depth	47	47
	Height	63	63
Door closers tested in accordance with BS EN 1154		●	●
Hold-open system tested in accordance with BS EN 1155		●	●
Hold-open system tested in accordance with BS EN 14637		●	●
CE-Identification for construction products		●	●
Functions	Smoke detector	-	●
	Trigger element	●	●
	Power supply	-	●
Smoke detection	Photoelectric (optical)	-	●
Connection to other detectors		-	●



DIN SPEC 1104
CEN TR 15894

GERMAN
INDUSTRIAL
STANDARD
(DIN) 18040

For dormakaba free-swing door closers with EASY OPEN technology, the heart-shaped cam significantly reduces the opening torque to be overcome.



Torque characteristics of a slide channel door closer TS 97 FL XEA (size EN 3-6, max. closing force adjustment)

— Opening torque
— Closing torque
— TS 97 FL XEA free-swing door closer

Any questions? We would be happy to answer any questions you may have.