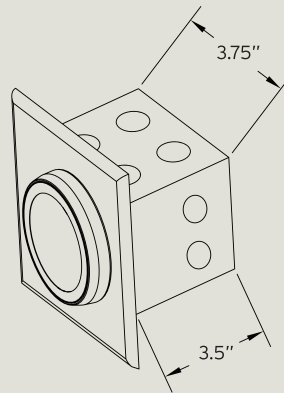


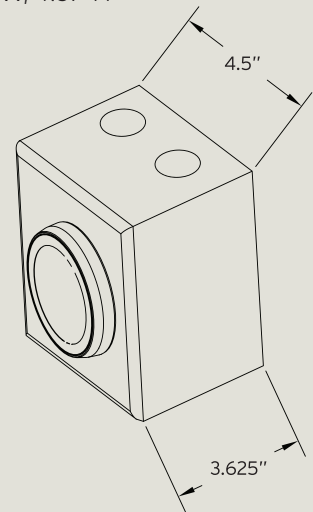
Saflok Screwless RCU



Screwless Face Plate 4.54" W, 4.57" H



Screwless RCU
Flush Mount



Screwless RCU
Surface Mount

Overview

From the development of SAFLOK's™ latest lock innovation, Quantum™ RFID, comes the Screwless RFID remote control unit (RCU) – a versatile stand-alone card reader controller. Through the application of contactless smart card technology, this remote control device is designed to work with all electrified access control devices for perimeter doors, concierge floors, common areas, and other secured areas with electrified hardware.

This device will complement your already comprehensive SAFLOK security design to maximize the efficiency of your operations today and into the future without the exposed hardware.

Specifications

- SPDT 5A@30VDC relay with common, normally open and normally closed contacts

Voltage

- 12-24 VAC or VDC

Requirements

- Double-gang switch box

Access Management Software

The Screwless RFID RCU is supported by dormakaba's robust access management software solution that features an array of access control workflows for both guest and staff access. Optionally, choose dormakaba's online access management solution for superior control and monitoring.

Features

Ability to easily integrate with Ambiance™ or System 6000™ software

Environmentally sealed contactless smart card reader protects against climate extremes, which is an especially vital feature for common access readers placed in external building and exit device applications

Compatible with Messenger ZigBee and Messenger™ Inncom RF

Optionally equipped with the Messenger transceiver for centralized access control

LED lights displayed behind high-impact polycarbonate reader lens

Contactless smart card reader uses industry-standard Mifare ISO A14443 communication platform and high-security protocol

USB connectivity to LPI probe

Keycards are programmed using a contactless encoder

Contactless communication between the keycard and the reader via RF waves

Programmable auto latch/unlatch feature eliminates need for manual dogging

Configurable for normally closed circuits (magnet latches) and normally open circuits (electric strikes)

Auditable entries/attempts

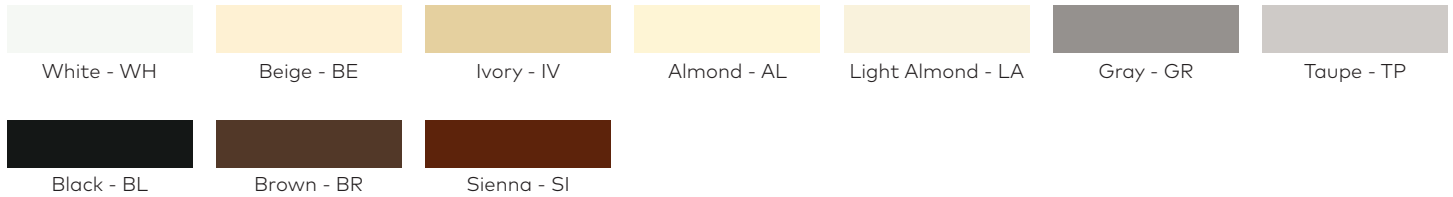
Selectable master key access

Restricts access to guest keys after check-out date

Face Plate Finish Options

White - WH, Beige - BE, Ivory - IV, Almond - AL, Light Almond - LA, Gray - GR, Taupe - TP, Black - BL, Brown - BR, Sienna - SI

Finish Options



© dormakaba Inc. (2021). Information on this sheet is intended for general use only. dormakaba Canada reserves the right to alter designs and specifications without notice or obligation.

dormakaba USA Inc.
6161 E. 75th St.
Indianapolis, IN 46250

1 800 999 6213
+1 514 340 9025

www.dormakaba.us

CAA1486_06-21