



Remote Control Unit (RCXT) Installation Instructions

The RCXT comes in two styles: flush mount and surface mount. The flush mount version is generally used indoors in hollow walls, and the surface mount version is for solid walls. The proper style must be ordered to suit the application.

Parts List

Part No.	Description	Quantity
50260	Wrench, 5/64 Allen Ball	1
94730-Color	RCU Assembly, XT	1
50170	Screws, #6-32 x 1 Flathead	4
51710	Screws, #6-32 x 5/16" Panhead	3
55250	Wire Nut	4
80080	Tie Wrap	1
94640	Gasket, RCU	1
94810-1	Electrical Box, RCU, Surface	1
94820	Plug, RCU Box	2
96110	Rain Flap, SL2500	1
96120	Bracket, Rain Flap	1
A30560	Card Reader Assembly, XT	1
A22350-1-Color	Escutcheon, RCU XT Metal	1
A27490	Tie Wrap, 14" RCU	1
A28330	PCB Assembly, RCU2	1
A28360	Wire Harness, MT RCU PCB	1
94830-Color	Collar, RCU Box	1
95070*	Shroud, RCU	1

* *Optional*

Product Description

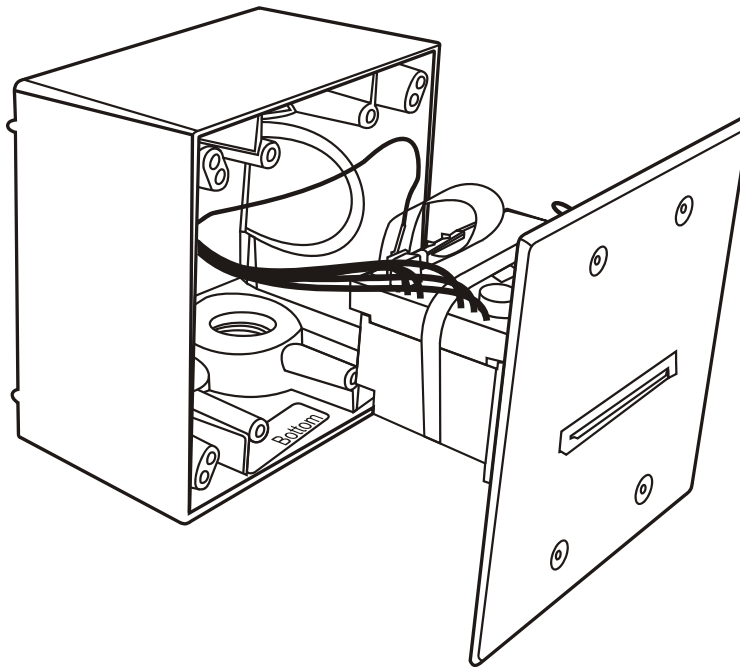
The SAFFLOK™ Remote Control Unit (RCXT) controls access to electric strikes, electric exit devices, electromagnetic locks, and parking gates. Inserting a keycard in the reader will momentarily switch power to the electrified locking device.

Pre-installation Requirement

Be sure to investigate the switching current and voltages required by the electric access control hardware. The RCXT is equipped with a relay that can be configured either "normally open" or "normally closed," to function properly with the application. The relay is rated for five amps at 250 VAC or five amps at 30 VDC. Review your local fire and electrical codes before installing this product.

Installing the RCXT

1. Position the electrical box in an accessible location. The box should be in close proximity to the access opening as the user will have only five seconds to open the door before the unit relocks.
2. Fasten the electrical box in position with the appropriate fasteners (not provided). Make sure that the fastener heads will not impede the space required for the electronics and connections when inserted in the box.
3. Run the appropriate wires to the RCXT box.
4. Make the necessary wire connections using the wire nuts (provided). Refer to the schematic diagram on the following page.
5. Position the reader assembly into the electrical box. Be sure that no wires are pulled or pinched.
6. Using the wrench provided, secure the faceplate to the electrical box with the tamper resistant screws.
7. For exterior applications, seal the unit with silicone RTV (not provided) as shown in the Construction Diagrams on page 4.
8. Program and test the unit as described in the system manual.



Schematic Diagram

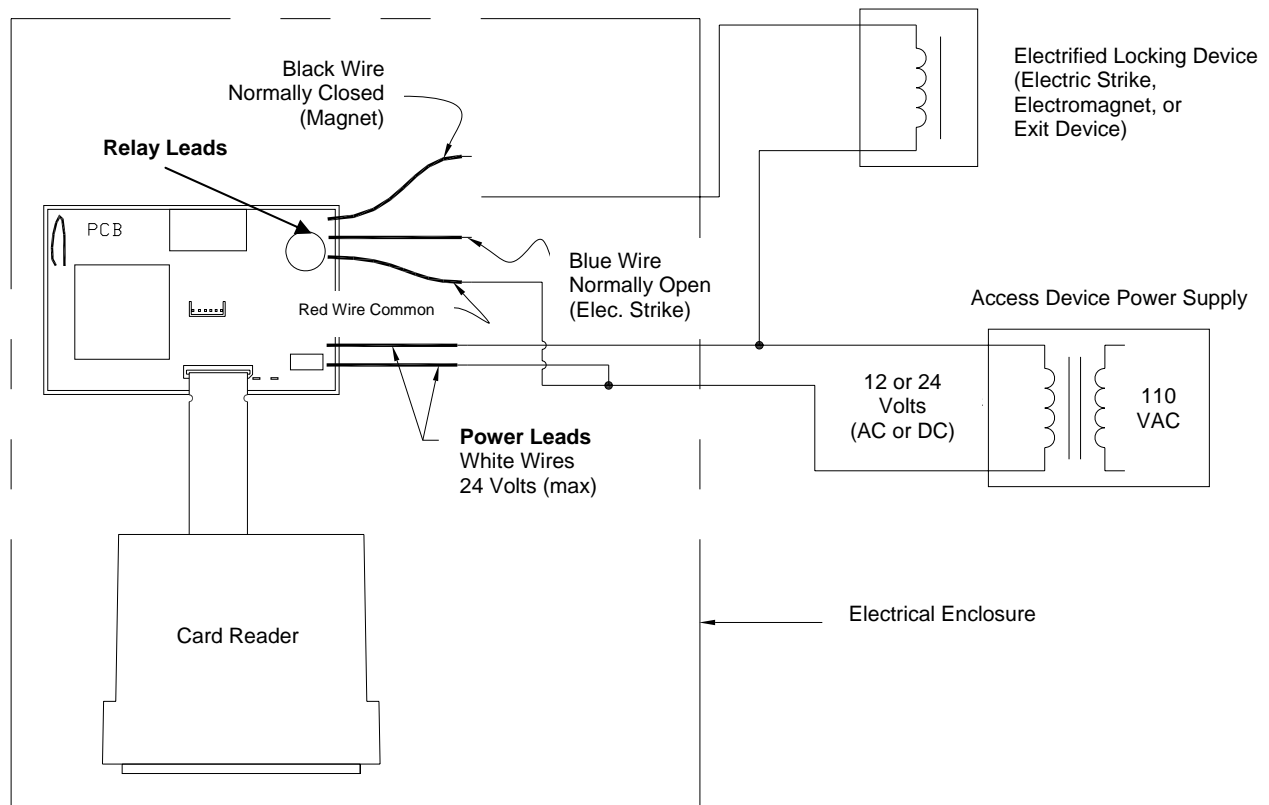
Power Leads

The RCXT requires 12-24 volts AC or DC input. Two wire leads (white insulation) are provided for supplying power to the reader. Ensure that voltage going to the reader does not exceed 24 volts. Any 110 VAC power supplies necessary for rectification shall be in separate enclosures and rated properly.

Relay Leads

Three wire leads (red, black, and blue) are provided for switching power to the electrified locking device attached to the gate, door, doorframe, etc.

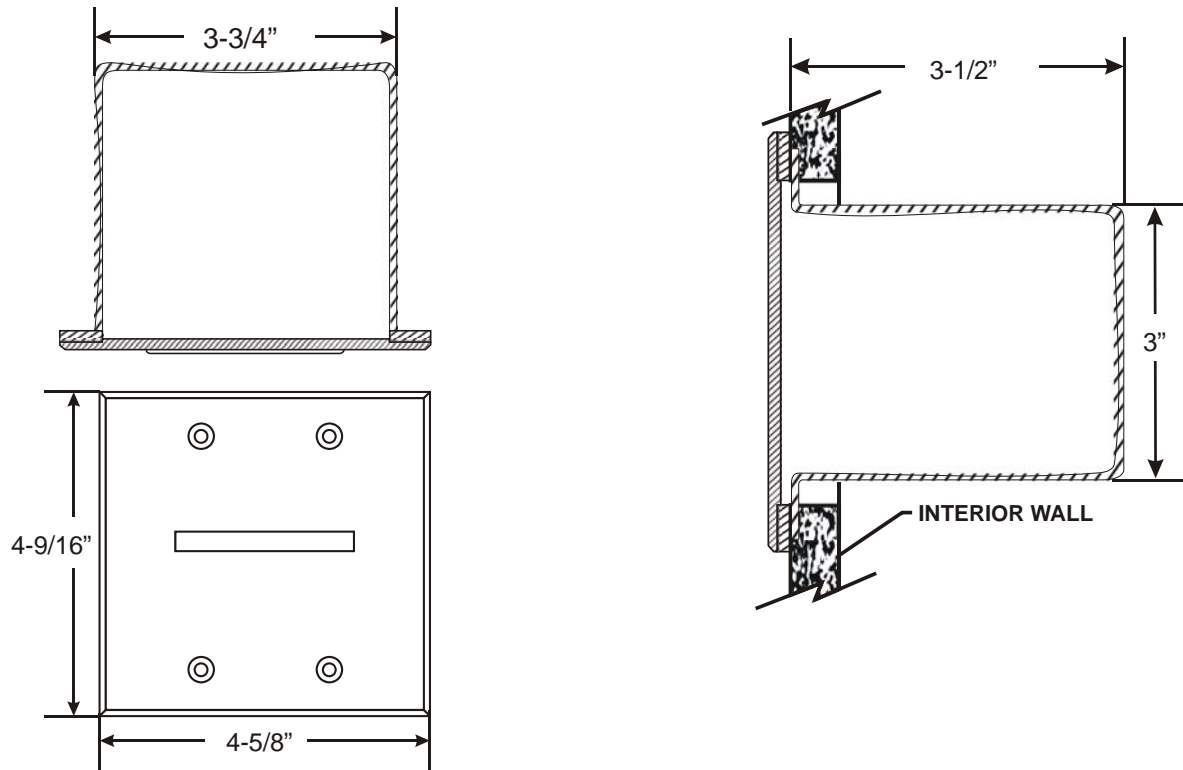
- The red lead is common. It is always connected.
- The black lead is normally closed (NC). It is used for electric lock devices like electromagnets.
- The blue lead is normally open (NO). It is used for electric lock devices like electric strikes.



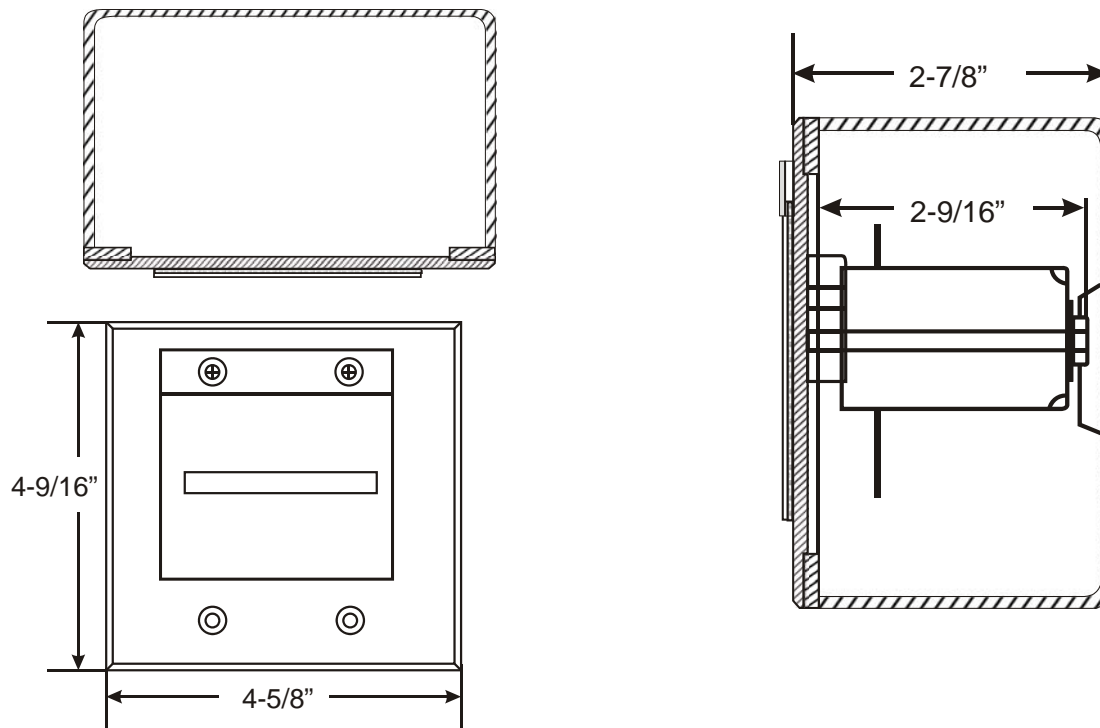
Construction Diagrams

Interior Enclosure

Important: The two-gang switch box used for the flush-mount interior should NOT be used outdoors. To do so will void the warranty, as the flush-mount box is not waterproof.



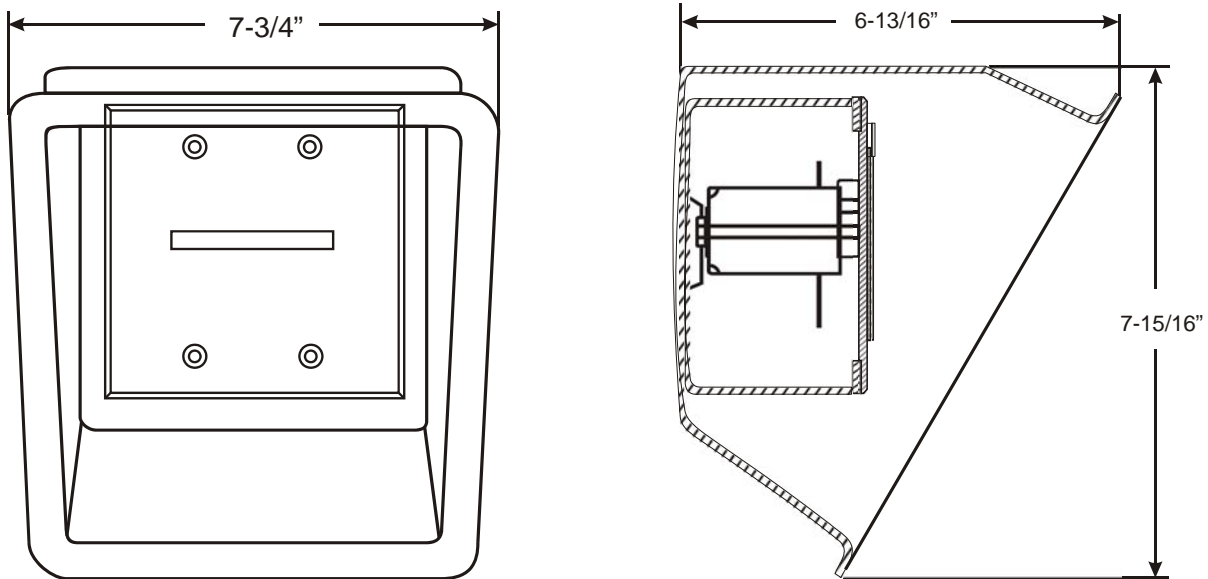
Exterior Enclosure with Optional Rain Shield



Construction Diagrams

Exterior Enclosure with Optional

Note: The shroud is made of clear polycarbonate plastic and should be used if the RCU is not protected from rain.



For worldwide office locations and contact information, visit us at www.saflok.com.

USA · Canada

Phone: **877.272.3565**

Europe · Middle East · Africa

Phone: **33.1.30.13.04.04**

Asia

Phone: **86.10.5861.3561**

Manufactured under one or more of the following patents:

U.S.: 4,177,657; 4,411,144; 4,534,194; 4,890,870; 5,198,643; 5,477,041; 5,820,177; 5,986,564; 7,051,561; D494,841; D501,131; D512,899; D519,021; D531,629; D533,009; D533,047; D533,762; D533,763; D535,629 CANADA: 1,252,854; 1,298,902
U.K. 2,010,375
Other U.S. and foreign patents pending

SAFLOK reserves the right to modify the characteristics and features of all products in this publication.
©2008 SAFLOK, all rights reserved.