

Installing the Standard Mortise Gearbox

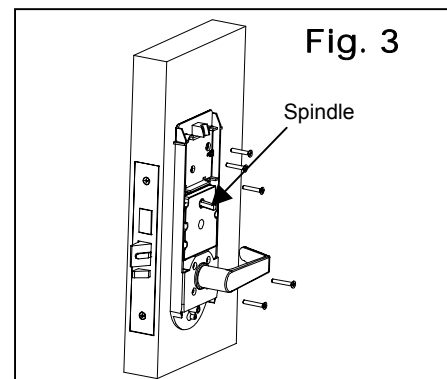
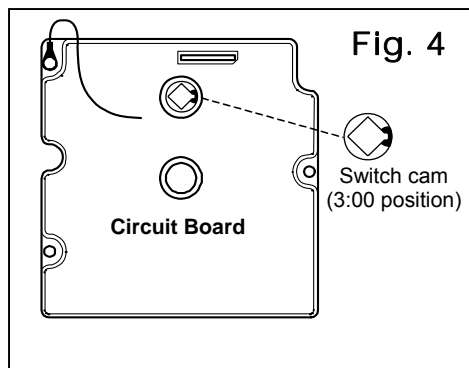
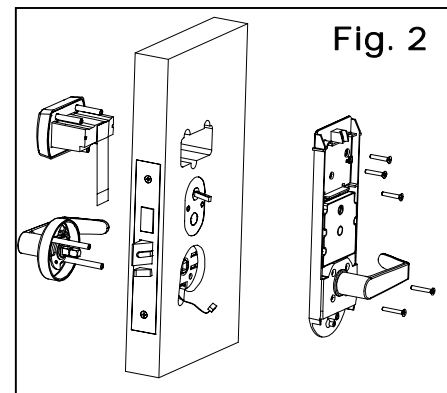
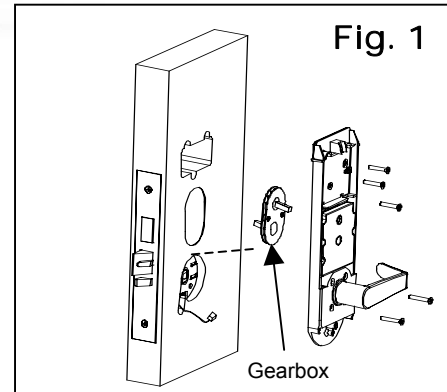
Important: Follow these instructions for SAFLOK Quantum™ and ädäse® locks with standard mortises.

The standard mortise gearbox (illustrated in Fig.1) is used to transfer torque from the thumb turn to the mortise dead bolt hub.

1. Follow the lock installation instructions to prepare the door and install the mortise case.
2. Before installing the inside trim, position the gearbox as shown in Fig. 1. The lower spindle is inserted into the mortise's deadbolt hub.
3. Follow the lock installation instructions to install the trim. Place the circuit board in position with the marking on the switch cam in the 3:00 position. The upper spindle on the gearbox extends through the circuit board's switch cam hole.

Important: As illustrated in Fig. 4, be sure that the cam is in correct orientation for proper dead bolt operation.

4. Complete the installation as discussed in the lock installation instructions.



All information contained herein, including but not limited to product pricing and other intellectual property, is confidential and intended for the sole use of the addressee(s) so named. Any misuse of this confidential information contained herein may result in legal action by Computerized Security Systems dba SAFLOK and its parent company.