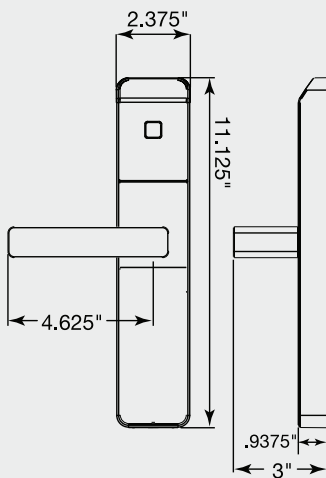


Confidant RFID Kit 1



Outside Lock Housing Only



Overview

The Confidant RFID Kit 1 offers a plug & play RFID upgrade solution for third party door hardware. The RFID technology provides enhanced guest convenience and better staff monitoring with more user accountability. The lock is easy to use and works with ILCO and Saflok systems (including Messenger Lens). It is able to operate using the Kaba Mobile Key System and can be offered with one of the following options: Bluetooth Low Energy (BLE) ready or enabled.

Applications

- Suitable for small to very large scale hotels
- Easily replaces existing mechanical or electronic door locks
- Works with third party mortise lock case and door hardware
- Access control for guest rooms, common areas, and back-of-house

Security Features

- Vandalism and attack resistant
- Improved tamper resistance; tamper alarm is reset by emergency key or Kaba handheld programming device
- Emergency access: emergency keycard and electronic override

Low Maintenance

- Operates with a completely sealed contactless reader
- Batteries last up to 50,000 openings or up to 3 years
- Low battery indicator alerts staff
- Audit trail is retained during battery replacement and lock programming
- Wear resistant construction and finish

Mechanical Features

Outside Housing	Zinc cast alloy construction with steel mounting plate/Field reversible levers. Ergonomic RFID reader with target to guide user / LEDs for visual feedback. Panel that conceals key cylinder, (if used), lock batteries (3 alkaline AA type) and programming interface. Adjustable spindle size options	
Levers	Available in short or long return designs. Outside lever free to rotate upward and downward in locked mode. DIN compliant levers (optional)	
Standard Finishes	Satin chrome or satin brass	
Batteries	3 AA batteries for up to 50,000 openings or up to 3 years (based on 10 openings per day). Low battery indicator: alerts staff that batteries need to be changed soon	
Door Applications	35mm - 55mm Minimum backset: 40mm or more Wood or metal, hollow or solid. Rosette mounting option eliminates the need for drilling (retrofit scenario)	
Hardware Configurations	Kit 1 Includes outside lock housing and installation hardware	
Online Configurations (Saflok Only)	Messenger Ready	Outside escutcheon with Messenger connector Inside Module
	Messenger Online	Outside escutcheon with Messenger connector Inside enclosure with Messenger module.
Mobile Key Options (BLE)	BLE ready BLE enabled	Upgradable to BLE by BLE module (coming soon) End cap with BLE module included, no further upgrades needed (coming soon)

Lock Operation

Date/Time Stamp	Real time: date and hours/minutes	
Programming & Audit Trail Downloading	Using handheld units (Kaba M-Unit, FDU, HH5/HH6) or remotely through Messenger wireless system to obtain key use history reports from the lock, or using a 4K audit keycard	
Preregistered Keycards	Keys can be made up to ten days in advance without cancelling current or arriving guests	
Keycard Expiry	Configurable expiration dates; can be automatically set for check out date or manually applied when making key during check in process	
Passage Mode	Set by authorized keycard or Messenger system. Can optionally also be configured to perform an automated/pre-defined passage mode time	
Lockout Mode	Set by authorized keycard or Messenger system	
Keycards Accepted	RFID cards or tags (ISO14443A with Mifare Classic) available in Mini, 1K and 4K memory sizes (4 byte NUID type)	
Feedback	"Dual sensory" audible and light indicators	
Diagnostics	Light indicators and handheld display	
Audit Memory	Saflok systems: up to 4000 events ILCO systems: up to 2000 events	
Disability Feature	Available for special openings	

Certifications & Testing

Accessibility Standard	ADA compliant levers (Code of Federal Regulations 28 CFR Part 36 – 1994 "ADA Standards for Accessible Design")	
Fire Rating	Certified EN 1634-1 (30 minutes) Approved Compliant door and lock case must be used	
Electronics	Compliant IEC 61000-4, FCC Part 15 and Industry Canada RSS-210. CE R&TTE Directive 1999/EC	
Environmental Operating Conditions	-35°C to 70°C 0% to 85% non-condensing humidity at 30°C Certified to IP54 for dust and elements on IEC 60529	

Warranty

Standard Factory Warranty	Two years	
Extended Warranty	ILCO and Saflok Service Plans available	