

INSTALLATION

RCI ILO6KT* MULTI-FUNCTION DOOR CONTROLLER KIT



This logic controller is a 6 input, 6 output programmable controller. It has 7 pre-programmed functions as listed below.

Function #1: Barrier Free Washroom Control c/w Emergency Call Function

Function #2: Barrier Free Washroom c/w Controlled Access and Emergency Call Function

Function #3: Communicating Washroom c/w Auto-operator control and Emergency Call Function

Function #4: Communicating Washroom c/w Emergency Call Function

Function #5: 2 Door Security Interlock c/w Emergency Release

Function #6: 2 Door Safety Interlock c/w Emergency Release

Function #7: Multi-Zone Control

1. Power the unit with 12-24VDC on the R/T terminals.
2. Select the function by pressing and holding the P/S button until the display flashes.
3. Use the +/- buttons to go forward and back in the function list.
4. Press the P/S button to select the function and return to normal operation.

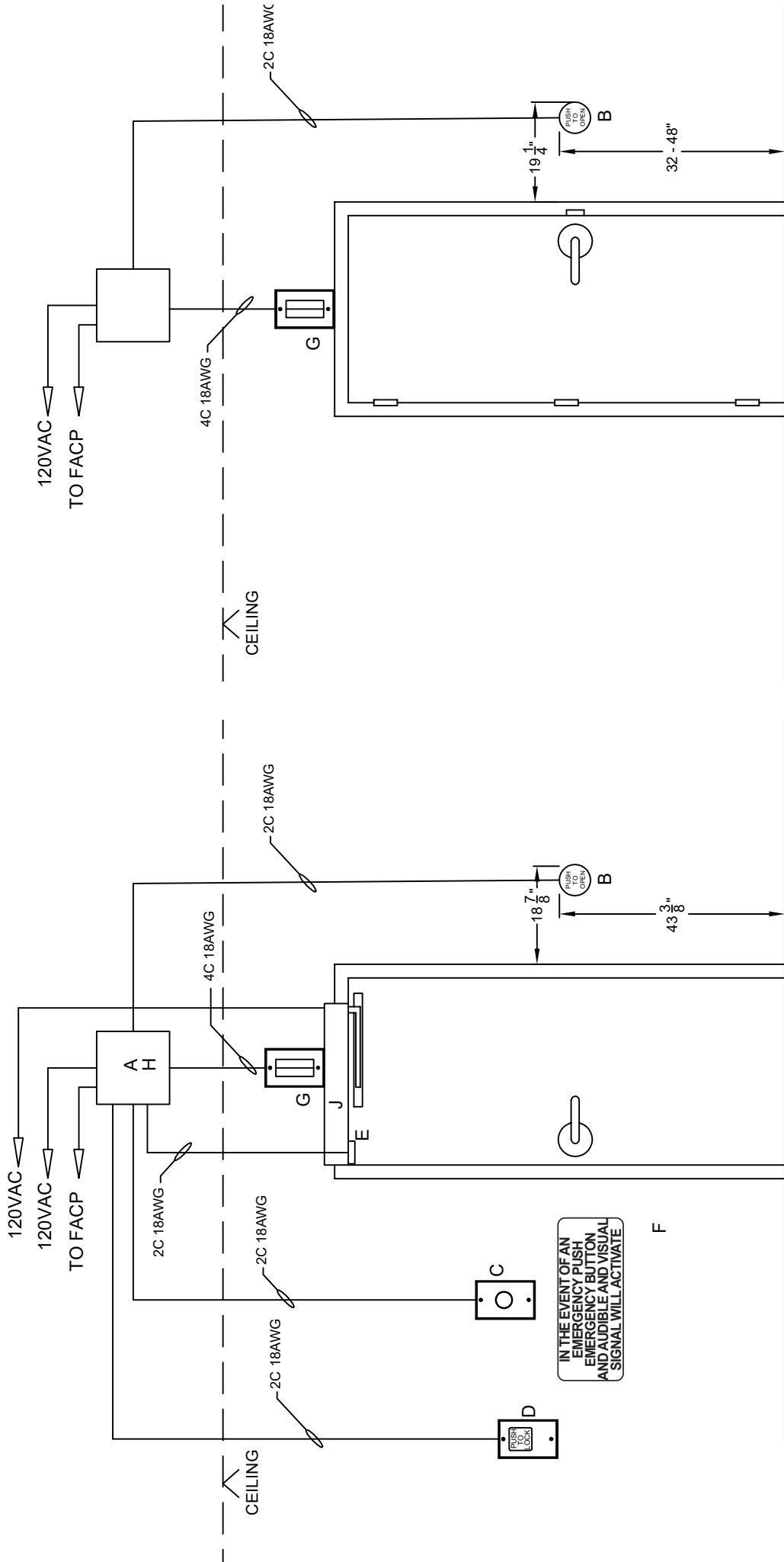
Within the functions with Auto-operator, a delay timer can be set by holding the P/S button down until the delay time is displayed. The +/- button can be used to increase or decrease delay time 1-10 seconds.

The display will dim after about 5 seconds. Pressing the P/S button will display current function setting.

See attached diagram for operational descriptions and wiring recommendations for Function 1

NOTE: Provided wiring diagram is a suggested solution. It is the responsibility of the individual installer and end user to ensure that all national, provincial/state, and local building and safety codes are complied with. If unsure, enlist a local building code authority for further assistance.

* ILO6 Kit meets current Ontario Building codes requirement. Consult local AHJ for Building Code compliance.



EXTERIOR ELEVATION VIEW

FINISHED FLOOR

INTERIOR ELEVATION VIEW

FINISHED FLOOR

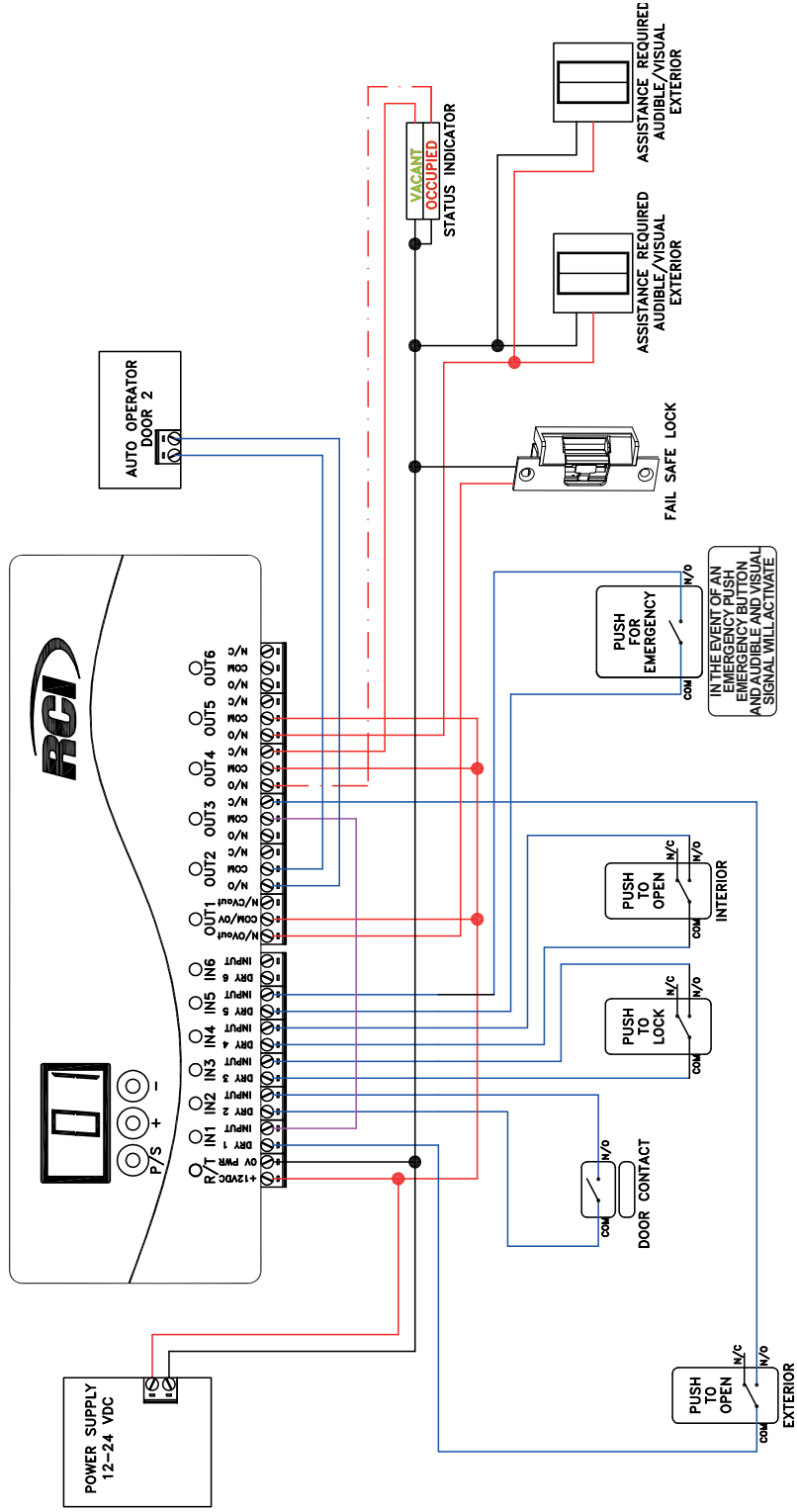
ITEM	DESCRIPTION	QNTY
A	ILO6 Controller	1
B	950HP6 Push to Open Buttons	2
C	919MA Emergency Button	1
D	972LEFMO Push to Lock Button	1
E	9535 Door Contact	1
F	BC6MW Emergency Sign	1
G	921 Emergency Light/Sounder	2
H	Power Supply (Not Included)	
J	Auto-operator (Not Included)	

Barrier Free Washroom Control c/w Emergency Call Function

Operational Description:

Door is normally closed and unlocked
 Entry by exterior Push To Open (PTO) button activates the Auto-operator and allows entry or manual means.
 Activating the interior Push To Lock (PTL) button locks the door, deactivates the exterior PTO button and activates the exterior Occupied Light.
 Egress can be by interior PTO button or manually opening the door.
 System is reset by PTO button and door contact.
 Interior Emergency button unlocks the door and activates an interior and exterior audible and visual alert.
 Resetting is by manual means.

ILO6 - FUNCTION 1	R/T	IN 1	IN 2	IN 3	IN 4	IN 5	IN 6	OUT 1	OUT 2	OUT 3	OUT 4	OUT 5	OUT 6
	0V	DRY 1	DRY 2	DRY 3	DRY 4	DRY 5	DRY 6	COM	COM	COM	COM	COM	COM
POWER 12VDC	+	COM											
EXTERIOR PUSH TO OPEN	-												
DOOR CONTACT		COM	N/O										
PUSH TO LOCK				COM	N/O								
INTERIOR PUSH TO OPEN						COM	N/O						
EMERGENCY CALL								+					
ELECTRIC STRIKE - FAIL SAFE	-												
AUTO OPERATOR									IN 2 IN 1				
OCCUPIED (O) / VACANT (V) LIGHT	-										+O	+V	
EMERGENCY CALL LIGHT & SOUNDER	-												*
JUMPER 1	*							*			*	*	*
JUMPER 2										*			



Function #1: Barrier Free Washroom Control c/w Emergency Call Function

Operational Description: Door is normally closed and unlocked

Entry by Exterior Push to Open (PTO) button activates the Auto-Operator and allows entry or manual means.

Activating the Interior Push to Lock (PTL) button locks the door, deactivates the exterior PTO button & activates exterior Occupied Light

Egress can be by Interior PTO button or manually opening the door.

System is reset by PTO button and door contact.

Interior Emergency Button unlocks the door and activates an interior and exterior audible and visual alert.

Resetting is by manual means.