

71M Series

Electronic Locking Devices & Accessories



Lock Overview

Access through the 71M Series is gained using a high coercivity Mini Card which is approximately 45% smaller than conventional magnetic stripe cards and easily attached to a key chain. The 71M door lock installs quickly in place and is available in Armed Auto Deadbolt (AADB) and standard mortise (ASM) versions, with no deadbolt. Each lock maintains a 300-event audit trail to create user accountability. The 71M locks provide emergency access through a choice of mechanical key (fixed or recodable), plus electronic override and an emergency keycard. Egress is by interior handle and is free at all times. The deadbolt is armed by turning the thumbturn while occupying the unit or by activating the thumbturn upon exiting the unit. It features a 1-inch solid metal deadbolt with ADA (Americans with Disabilities Act) compliant levers, and audible and visible feedback. Its attractive and robust design can compliment any decor. Our Ultra finish can protect the 71M door lock, which is ideal for ocean front applications.

Applications

- Suitable for small to very large properties, up to 16,000 locks
- Easily replaces existing mechanical or electronic door locks throughout a facility
- Access control for residents rooms and facilities, as well as back-of-the-house

Product Benefits

- Increase security immediately and economically
- Reduce re-keying costs
- No wiring
- Residents and staff find the system easy to use
- Can be integrated into an existing master key system
- Refined finishes and lock design compliments your existing decor
- Easy to expand
- Scalable to your needs and budget
- Lost or stolen keycards pose no threat
- ADA thumbturn Adapter for Disability rooms

Security Features

- Vandalism and attack resistant
- Solid deadbolt with rolling pin
- Lock and system audit trails deter unauthorized entry and inappropriate use
- Override options:
 - Electronic Override (Standard): The electronic override is performed by using the Maintenance Unit (EAMU) and the programming module and has full audit trail capability
 - Mechanical key override: Concealed; Lori cylinder with reversed lockwood 1004 A keyway
 - Mechanical key override with removable core: Concealed; Ilco core, Best and Medeco adapter

Low Maintenance

- Operates with keycard in swipe motion in open reader slot so foreign objects are easily removed
- Batteries last for up to 100,000 openings or approximately 2 years
- Low battery indicator alerts staff
- Lock programming and audit are not erased during battery replacement
- Wear resistant construction and finish
- Upgradeable lock software

Cards and Accessories

- Hi-C magnetic stripe mini keycards
- Custom printed keycards advertise your establishment or related services (including embossed keycards)
- Cleaning cards



Multi-Housing Series

71M Series

Electronic Locking Devices & Accessories

Lock Overview

Mechanical Features

Description:	Heavy duty electronic lockset (mortise) with clutch mechanism and built-in magnetic stripe card reader
Handing:	Left or Right factory handed
Lever:	ADA compliant, outside lever free to rotate downward in locked mode Lever clearance (space from end of lever to door) Long Lever 71M = 1/8" (1.6mm) Short Lever 71M = 7/8" (21.88mm)
Knob Option:	Spherical knob for inside and/or outside housing, non-ADA compliant, outside knob free to rotate in locked mode. Distance from door to end of knob Outside housing = 3.25" (82.55 mm) Inside housing = 3.375" (85.725 mm)
Deadbolt:	1" (25 mm) (for ASM Mortise) or 27/32" solid metal with rolling pin, projected by inside thumb turn and retracted with the latch by the interior handle, emergency override or specific staff keycards.
Dimensions:	Door thickness from 1 3/8" to 2 1/2" (35mm to 66mm) 5 different door thicknesses, Lever return within 1/2" of door
Shipping weight:	11.45 lbs (5.2 kg)
Housing construction:	Cast zinc alloy (outside housing), (inside housing, levers and thumb turn). For Ultra Plated finish - brass cover outside housing.
Standard finishes:	Satin Chrome, Satin Brass, Painted Black & Silver
Custom finishes:	Bright Brass PVD, Bright Chrome, Oil Rubbed Bronze (simulated), Satin Bronze. Also available in dual and split finishes
Standard Backset:	2 3/4" (70mm) backset

Batteries:

Alkaline:	4 AA for operation between 23°F and 140°F (-5°C and 60°C) Up to 100,000 openings or approximately 2 to 3 years (based on 10 openings per day) Low battery indicator: Alerts staff that batteries need to be changed soon
------------------	--

71M

71M Series

Electronic Locking Devices & Accessories



Multi-Housing Series

Lock Overview

Lock Operation

Date/time stamp:	Real time; date and hours/minutes
Programming and Audit trail downloading:	Using Maintenance Unit - EAMU with communication cables
Pre-registered keycards	Up to 10 days in advance
Keycard expiry:	From 1 hour to 7 years, depending on type and setup
Lockout mode:	Set by authorized keycard
Keycards accepted:	High coercivity Track 3 magnetic stripe cards; Also complies with ISO standard dimensional specifications
Feedback:	"Dual sensory" audible and visible indicators
Audit memory:	Last 300 transactions

Certification and Testing

Accessibility standard:	ADA compliant lever handles
Fire rating:	Meets UL 10C and ULC S-104; on fire door rated up to an including 3 hours, excluding cylindrical 2 3/8" Latch
Electronics	FCC Part 15 Class A and CE directive 89/336/EEC compliant
Durability:	Meet requirements of ANSI A156.25 for dust, rain, humidity and salt spray corrosion tests
Environmental operating conditions	32°F to 151°F (0°C to 66°C), for inside housing 0% to 85% non-condensing humidity at 86°F (30°C) -31°F to 151°F (-35°C to 66°C) for outside housing

Warranty

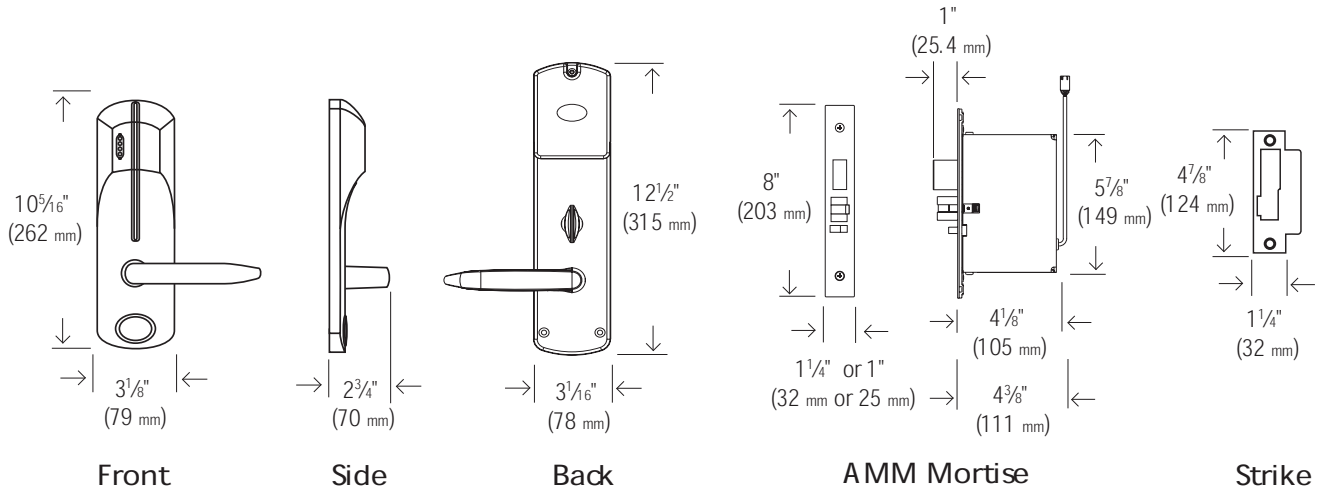
Warranty:	2 years
-----------	---------



Multi-Housing Series

71M Series

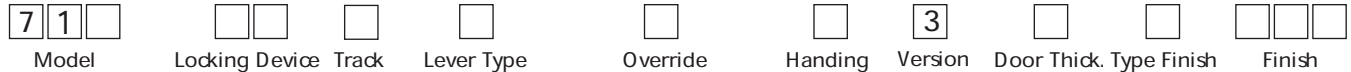
ANSI Mortise (AMM) Lock



Standard Model (Example)



Build the model number with the desired options



Model	Locking Device	Track	Lever Type	Override	Handing	Version	Door Thickness	Type of Finishes	Finishes
71M Unit Lock Deadbolt operated by thumbturn. Recommended for residents units, must be manually set by user.	18 Armed Auto Deadbolt with 1 ¹ / ₄ " (32 mm) face plate 19 Armed Auto Deadbolt with 1" (25 mm) face plate	3	Front / Back Long Short Knob 45° Decorative	Override K Mechanical key core Lori Universal (1 539) Key-in-Knob Removable core U Ilco cylinder, Keyed alike B Best 6 or 7 pin cylinder adapter M Medeco 6 pin cylinder adapter	L Left R Right X Left Hand Reverse Y Right Hand Reverse (See page 5 for handing information)	3 Thrift & Ilco Format Reader	1 1 ³ / ₈ " - 1 ¹ / ₂ " (35-40 mm) 2 1 ⁵ / ₈ " - 1 ³ / ₄ " (41-46 mm) 3 1 ⁷ / ₈ " - 2" (47-52 mm) 4 2 ¹ / ₈ " - 2 ¹ / ₄ " (53-58 mm) 5 2 ³ / ₈ " - 2 ¹ / ₂ " (59-65 mm) V * Variables <i>* To be used only when mortise unit is not centered in the door or that door thickness is greater than 2¹/₂" (66 mm).</i>	A Standard Plated	626 Satin Chrome 606 Satin Brass 222 Painted Black with Satin Chrome levers, medallion and thumbturn knob 223 Painted Black with Satin Brass levers, medallion and thumbturn knob 446 Painted Silver with Satin Chrome levers and thumbturn knob
			12 AMM with 1 ¹ / ₄ " (32 mm) face plate 13 AMM with 1" (25 mm) face plate						14 AMM with 1 ¹ / ₄ " (32 mm) face plate 15 AMM with 1" (25 mm) face plate
71M Storeroom Lock No Deadbolt, no thumbturn, no privacy. Recommended for closets or common areas.	12 AMM with 1 ¹ / ₄ " (32 mm) face plate 13 AMM with 1" (25 mm) face plate	O	O	L Left R Right	D Demo woodmount RH only	(-) Ultra Plated	626 Satin Chrome 606 Satin Brass Optional 625 Bright Chrome 605 Bright Brass PVD 612 Satin Bronze		
713 Dummy Trim No moving parts, no electronics. For aesthetic use only.	00 No locking mechanism	O	O	L Left R Right	D Demo woodmount RH only	(-) Ultra Plated	626 Satin Chrome 606 Satin Brass Optional 625 Bright Chrome 605 Bright Brass PVD 612 Satin Bronze		