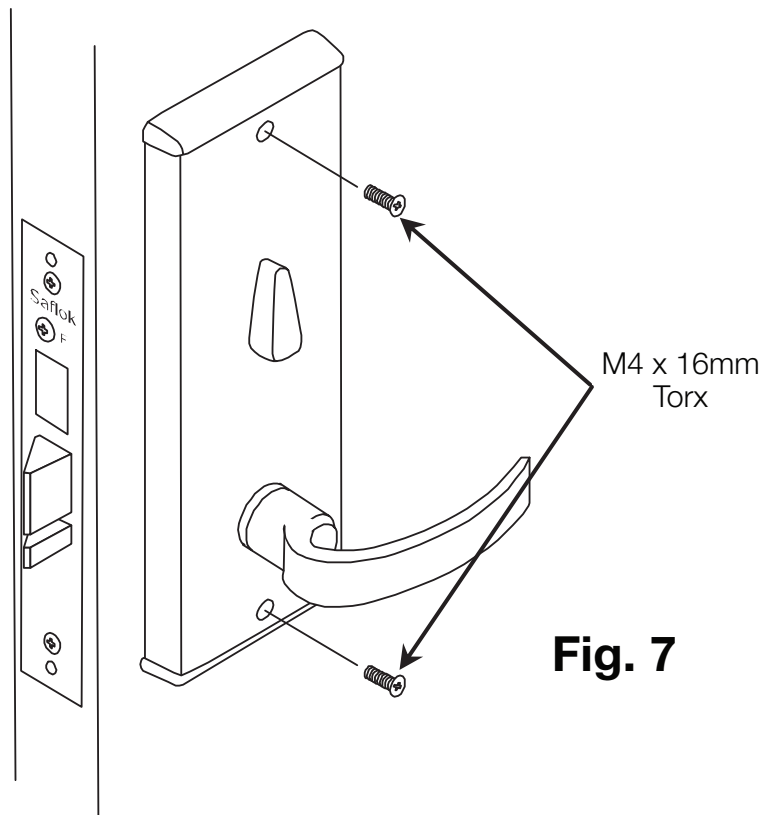


Installing the lock trim (continued)

12. Secure the inside trim cover to the inside trim using two M4 x 16mm Torx screws (see Fig. 7).
13. Program the lock using the Lock Programmer and Interrogator (LPI) probe with the LPI-R device cable. Test the functioning of the lock as discussed in the following section and in the programming manual before closing the door. When the construction key is used, the green and red LEDs will blink together, indicating that the lock's time and date are not set.
14. For humid outdoor environments, apply dielectric grease inside the USB connector after programming to guard against corrosion from persistent moisture.



Testing Lock Functionality

Pass a construction key over the QuantumIV RFID reader. The green light will flash for five seconds. Be sure that the green light flashes for five seconds while the exterior lever remains operable. If the green lights do not flash, refer to the table below.

Lock Communication	Electronic Function Description
Red and green LEDs flash 9 times simultaneously	Time and date not set, use the Quantum MT RFID LPI probe to reset
Yellow LED flashes 12 times	Dead bolt is thrown or switch cam is not properly aligned
Yellow LED flashes 2 times	Keycard not allowed OR keycard cancelled by new keycard
Red and green LEDs flash alternately 9 times	Low battery (contact the SAFLOK service department)
Yellow and red LEDs flash 2 times simultaneously	Bad keycard read or corrupted data (may require new keycard)

Door Unit Inspection Criteria

Appearance

- Finish is free of blemishes or scratches that would distract from lock appearance
- Lock body and under plate (if used) are mounted straight on the door
- Door scalp is mounted straight and flush with the door edge
- Jamb strike is mounted straight and is flush with the jamb face
- Correction of minor blemishes on the door jamb are the responsibility of the property's maintenance department

Lock Function

- Knob or lever rotates and moves freely
- Lever is horizontal to floor when at rest position
- Dead bolt extends fully and retracts without binding (door open)
- Lock latch and dead bolt engage jamb strike plate freely
- Anti-pick latch when depressed (door open)
- Anti-pick latch is depressed when contact is made with the strike plate (door closed)

Electronics/Keycards

- Present keycard in front of reader, and the yellow light flashes twice when incorrect keycard is used
- Green light flashes when the proper keycard is used
- Green light is flashing when the lever is operated
- Green light continues to flash for a five-second cycle
- Yellow light flashes 12 times when the dead bolt is extended and a guest/hotel keycard is used
- All keycards function to the specifications of the properties key design

Door function

- Door closes and latches with little or no interference
- Dead bolt extends fully through the strike plate without interference (door closed)
- Spacing between door edge and inside door jamb does not exceed $\frac{3}{16}$ " (door closed)

Note: If bumpers or other seals are added after strike plate installation and causes alignment and latch problems, it is the property's responsibility to correct this condition. This note generally applies to new construction or new door installation.

FCC and IC Warnings: This device complies with Part 15 of the FCC Rules. Operation is subject to the following two conditions: (1) this device may not cause harmful interference, and (2) this device must accept any interference received, including interference that may cause undesired operation. Any changes or modifications of this product, not approved by manufacturer will void the user's authority to operate the equipment.

This device complies with Industry Canada licence-exempt RSS standard(s). Operation is subject to the following two conditions: (1) this device may not cause interference, and (2) this device must accept any interference, including interference that may cause undesired operation of the device.

Le présent appareil est conforme aux CNR d'Industrie Canada applicables aux appareils radio exempts de licence. L'exploitation est autorisée aux deux conditions suivantes : (1) l'appareil ne doit pas produire de brouillage, et (2) l'utilisateur de l'appareil doit accepter tout brouillage radioélectrique subi, même si le brouillage est susceptible d'en compromettre le fonctionnement.

dormakaba
Customer Services & Support
Ilco: 1.877.468.3555 / + 1.514.340.9025
Saflok: 1.800.999.6213 / + 1.248.837.3700

General Information:
www.kabalodging.com
Online Consumable Orders:
www.ilcostore.com
www.saflokstore.com
To access all of our easy steps, please
visit our Support Website:
www.kabalodgingsupport.com