

# Contents

1	About this manual	1
2	Safety	1
3	Product description	2
4	Mounting	2
5	Assignment of terminals and switches	5
6	Dismantling and disposal	5

## 1 About this manual

### 1.1 Target group

The door lock STV 1xx must only be mounted by trained electricians with specific knowledge of electromechanical locks, fire safety codes and regulations.

### 1.2 Intended use

The STV 1xx serves to keep doors securely closed, and to open it without jamming and without delay in case of emergency. The STV 1xx is used in the SafeRoute® system.

### 1.3 Other applicable documents:

- System instructions for the used SafeRoute® license
- Operating instructions for the SafeRoute® system
- Inspection logbook

### 1.4 Symbols used



#### ATTENTION

This signal word indicates a situation of potential risk, which could lead to damage to property or the environment if not averted.



#### TIPS AND RECOMMENDATIONS

This signal word indicates useful information for efficient and trouble-free operation.

## 1.5 Further labeling

1.

2.

Sequence of action steps



Reference to a chapter



Reference to another document



Door opening direction DIN left = opening outwards to the right



Door opening direction DIN right = opening outwards to the left



Components may be damaged by electrostatic discharges

## 2 Safety



#### ATTENTION

#### Property damage by electrostatic discharge.

The control board may be damaged by an electrostatic discharge!

- The user must ground his/her own body before touching a component!

# STV 1xx

Mounting instructions

WN 059507 45532 – 2019-03

EN

## 3 Product description

The STV 1xx is an electromagnetic lock for swing doors on escape routes and is mounted on the door frame. Together with a SafeRoute® Control Unit (SCU), the door lock forms an escape route security system. The STV 1xx opens without jamming and without delay. The maximum locking force complies with Directive for Electrical Locking Systems on Escape Route Doors (EltVTR).

They may only be mounted on fire and smoke protection doors, if the usability certificates for these doors provide for the mounting, and if the related requirements are followed. Additional notes can also be found in the notification "Permitted changes and supplements to fire protection closures" of the Deutsches Institut für Bautechnik (DIBt), Berlin.

### 3.1 Variants

The XX markings are color variants. The instructions are valid for the STV 101 (silver) and STV 111 (white).

### 3.2 LED displays

LED on — LED off — LED flashes - - - -

#### DCW® LED (red)

Bus connection OK	—————
Bus connection interrupted	—————
DCW® error (see SafeRoute® system instructions)	- - - - -

#### Config LED (yellow)

Configuration successful	—————
Device not configured	—————

#### Both LEDs

Configuration mode active	- - - - -
---------------------------	-----------

### 3.3 Technical data

Supply voltage:	24VDC +/- 15%	
Retention force	2000 N bei $U_{\text{enn}}$ +/- 10 %	
Power consumption:	locked:	280mA
	unlocked:	20mA
Temperature range:	-10°C to +55°C	
Rel. Humidity:	up to 93% (non condensing)	
Degree of protection:	IP 30	

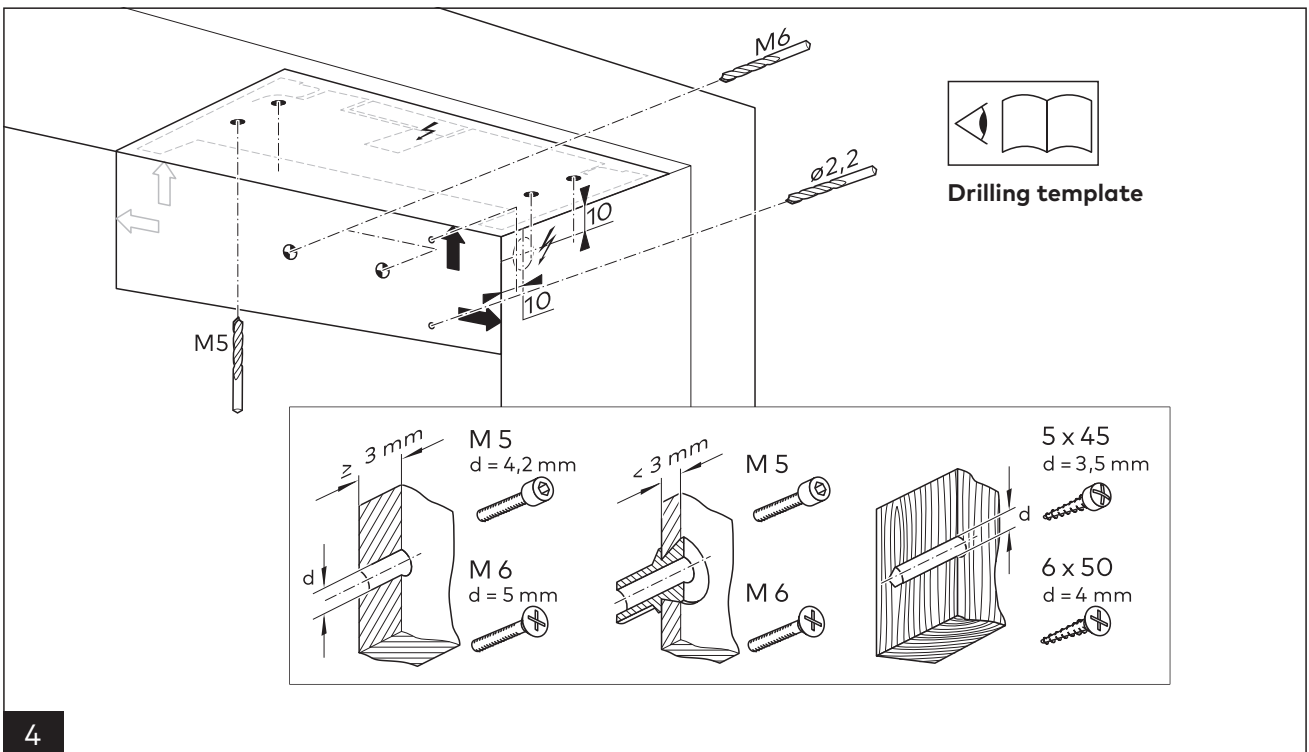
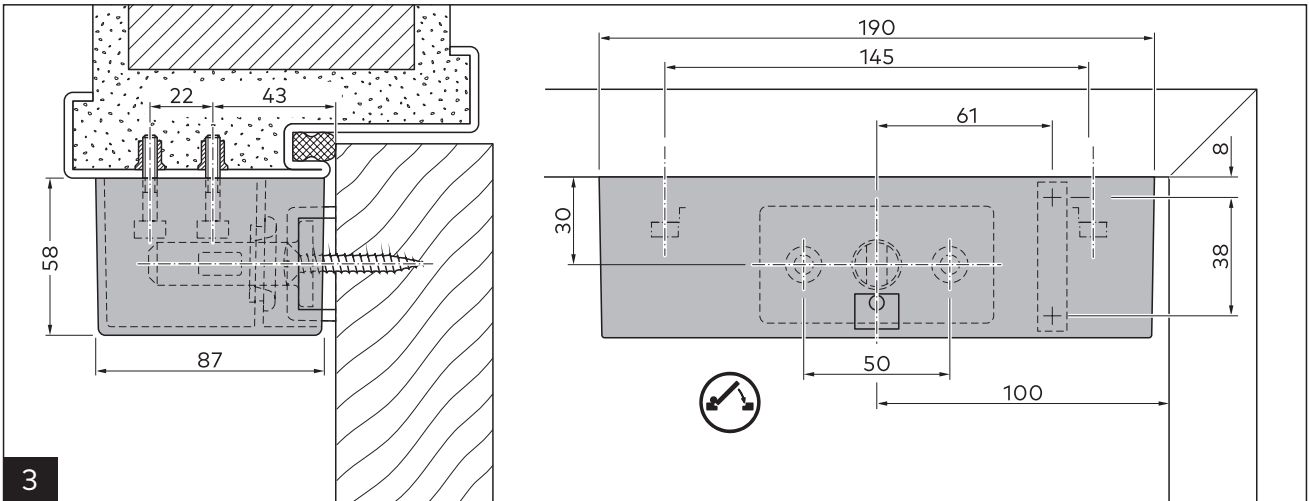
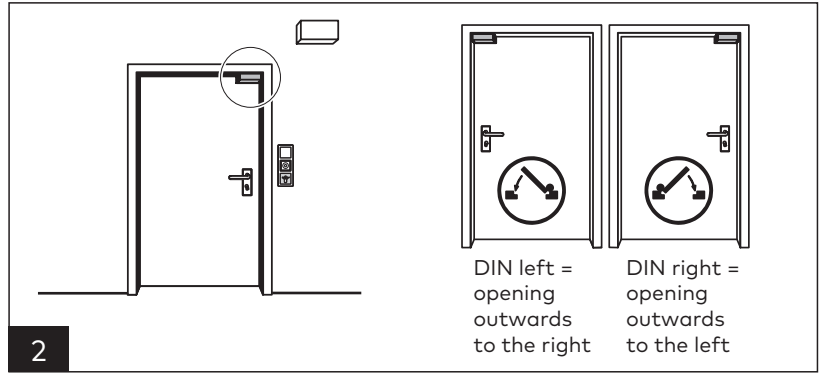
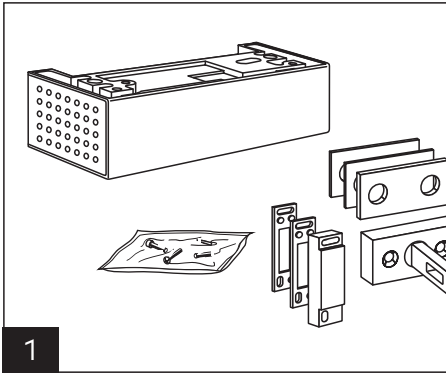
## 4 Mounting



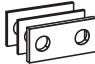

#### TIPS AND RECOMMENDATIONS

The mounting is only shown on a door which opens outwards to the left (DIN right).

- Proceed in mirror-inverted order when mounting a DIN left door.



2,9 x 25  
d = 2,2 mm

X mm	 1 x 3 mm / 2 x 1 mm	
43	---	---
44	1 x 1 mm	---
45	2 x 1 mm	---
46	1 x 3 mm	---
47	1 x 1 mm / 1 x 3 mm	---
48	2 x 1 mm / 1 x 3 mm	2 x

5

DCW®-Bus  
3 B A 1

X2 X1 X3  
S2 S4 S3 X4

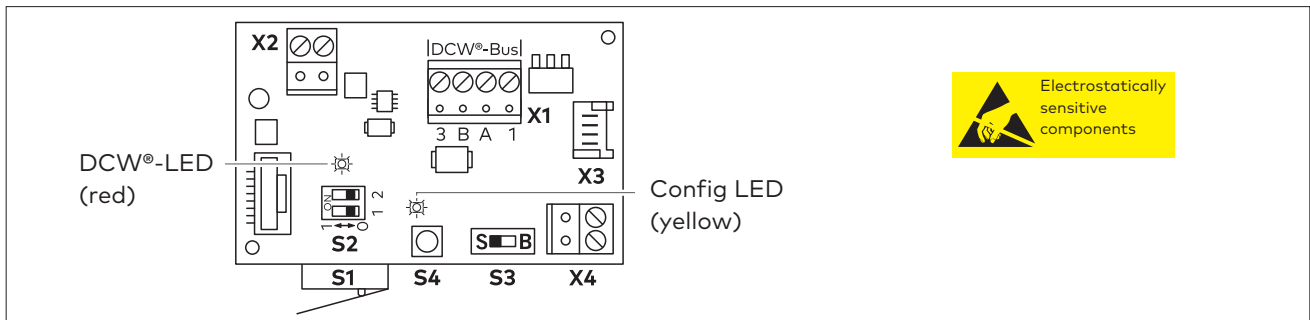
M5x35  
DIN 7500

5 4 5

X2 S2 S1

5

# 5 Assignment of terminals and switches



<b>X1</b>		<p>← 24VDC</p> <p>↔ DCW®-Bus ↔ SCU-xx</p> <p>⊥ GND</p>																					
<b>X2</b>		<p>← internal holder contact</p>																					
<b>X3</b>		<p>internal function</p>																					
<b>X4</b>		<p>← internal door contact</p>																					
<b>S1</b>		<p>Housing tampering contact</p>																					
<b>S2</b>		<p>DIP switch for setting the component addresses (see SafeRoute® system instructions)</p> <table border="1"> <thead> <tr> <th>DCW® address</th> <th colspan="2">Switch S2</th> </tr> <tr> <td></td> <td></td> <td></td> </tr> <tr> <td></td> <td>1</td> <td>2</td> </tr> </thead> <tbody> <tr> <td>1</td> <td>0</td> <td>0</td> </tr> <tr> <td>2</td> <td>1</td> <td>0</td> </tr> <tr> <td>3</td> <td>0</td> <td>1</td> </tr> <tr> <td>4</td> <td>1</td> <td>1</td> </tr> </tbody> </table>	DCW® address	Switch S2						1	2	1	0	0	2	1	0	3	0	1	4	1	1
DCW® address	Switch S2																						
	1	2																					
1	0	0																					
2	1	0																					
3	0	1																					
4	1	1																					
<b>S3</b>		<p>Service switch for suppression of tampering alarm</p> <p>B = Operation (housing tampering contact activated)</p> <p>S = service (Housing tampering contact shut off)</p>																					
<b>S4</b>		<p>Service button</p> <p>Press service button for 8 seconds = original settings</p>																					

# 6 Dismantling and disposal

Dismantling is carried out in reverse order of the mounting instructions.

- The product must not be disposed of in domestic waste.
  - The product must be disposed of in an environmentally friendly manner at the arranged take-back and collection points.
- Refer to the statutory regulations for your country.





Translation of the original manual, subject to change without notice

dormakaba Deutschland GmbH  
DORMA Platz 1 58256 Ennepetal Germany T: +49 2333 793-0 F: +49 2333 793-4950

[www.dormakaba.com](http://www.dormakaba.com)