

Contents

- 1 About this document
- 2 Safety
- 3 Product description
- 4 Mounting
- 5 Disassembly and disposal

1 About this document

1.1 Contents and purpose

This document describes the mounting of the SLON-DR network adapter (SafeRoute® Local Operation Network for DIN rail mounting).

1.2 Target group

This document is intended for assembling technicians and specialists authorized for mounting by dormakaba.

1.3 Other applicable documents

- Instructions for devices intended for networking

1.4 Symbols used



Components may be damaged by electrostatic discharge. Ground your own body before touching a component!

2 Safety

2.1 Intended use

dormakaba control modules intended for networking are networked in one building with the help of SLON-DR network adapters.

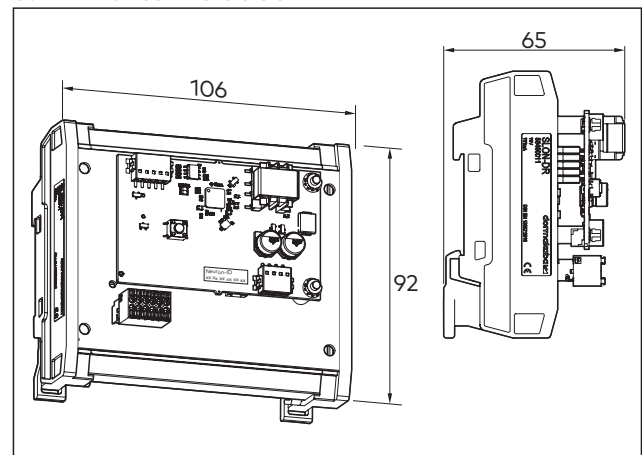
2.2 Personnel qualification

Mounting may only be carried out by persons authorized by dormakaba.

3 Product description

- 1 The SLON-DR network adapter enables the
 - 1 integration of dormakaba control modules into LON
 - 1 networks. The mounting takes place on a 35 mm DIN
 - 2 rail in a housing. The housing must at least meet the
 - 4 requirements of IP 30.
- The LON application is loaded in the module ex works. The control, parameterization and visualization for the connected devices is carried out via TMS Soft®. The assignment of network variables (binding) can be linked to other sensors/actuators (including external systems). Commissioning takes place with a commissioning tool (e.g. OpenLNS Commissioning Tool).

3.1 Parts included



SLON-DR

Mounting instructions

WN 059729 45532 – 2018-11

DE

3.2 Technical information

Supply voltage:	24 V DC +/- 15 %
Power consumption:	18 mA
Ambient temperature:	-10 °C to +55 °C
Rel. humidity:	up to 93 % (non condensing)
Protection class:	Dependent on the housing used

3.3 LED display

The LED lights up and flashes red. When the service button is pressed, the LED lights up green.

LED on **—** LED flashes **- - - -** LED off **—**

Module is not configured/no application loaded	—
Module is not configured/ application is loaded	- - - -
Module is fully configured	—

4 Mounting

The mounting takes place by clipping onto a 35 mm DIN rail.

4.1 Requirements for mounting

Prerequisite for the mounting is compliance with the LON specifications regarding transceivers, network topology, network lengths, cable specifications, etc.

- The mounting location of the modules must be selected so that the modules' ambient temperature range is maintained and any heat generated can be dissipated.
- A minimum distance of 200 mm to high-energy sources of interference, e.g. frequency converters, is recommended.
- To avoid condensation, modules that have been stored at very different temperatures must be adjusted to the operating temperature before commissioning.
- If tools for network management are already used in the network, any potential conflicts must be identified and excluded before connecting further tools.

4.2 Assignment of terminals and button

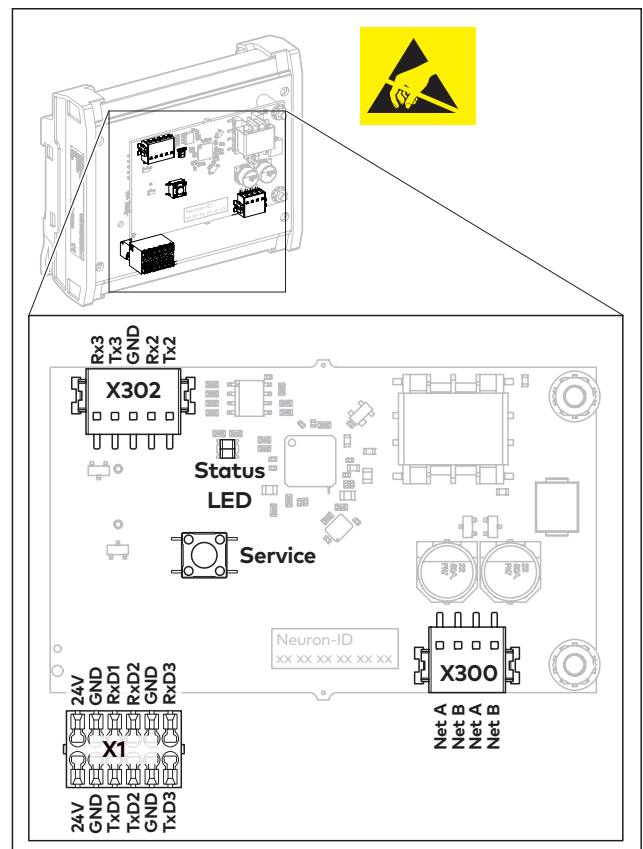
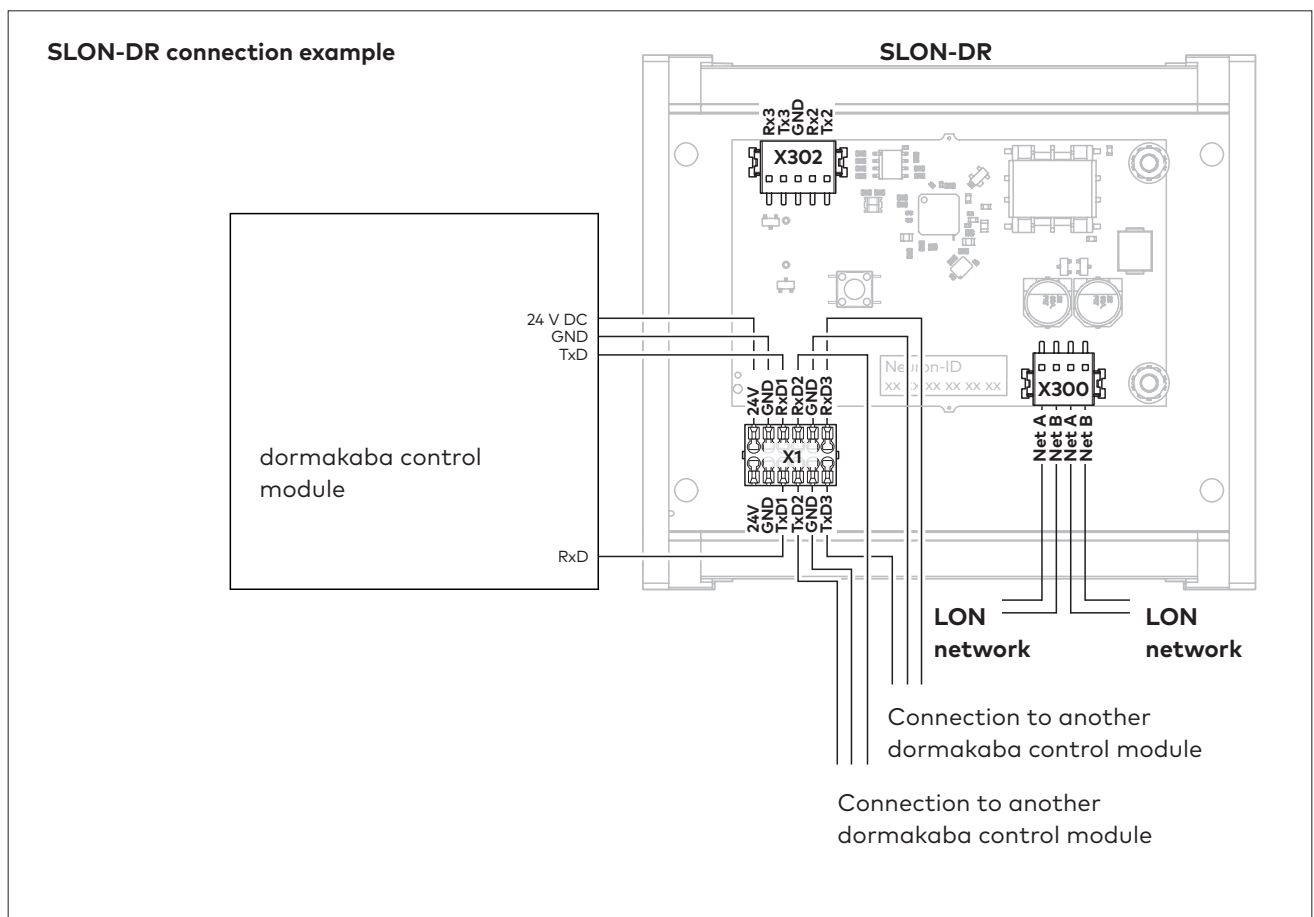
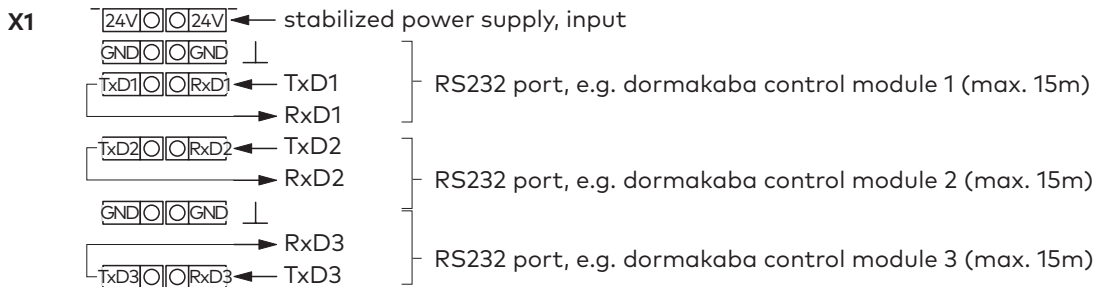
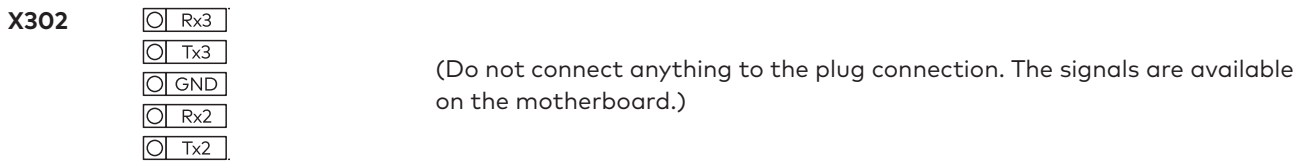
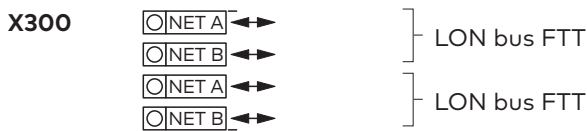


Fig. 1 View of the boards



5 Disassembly and disposal

Disassembly is carried out in the reverse order of mounting and must be carried out by qualified personnel.



The product must be disposed of in an environmentally friendly manner. Electro-technical parts and batteries must not be disposed of as domestic waste. Dispose of electrotechnical parts and batteries in the designated acceptance and collection points. Refer to the statutory regulations for your country.