

## Contents

1	About this document
2	Safety
3	Product description
4	Mounting
5	Disassembly and disposal

## 1 About this document

### 1.1 Contents and purpose

This document describes the mounting of the SLAN-DR network adapter (SafeRoute® Local Area Network for DIN rail mounting).

### 1.2 Target group

This document is intended for assembling technicians and specialists authorized for mounting by dormakaba.

### 1.3 Other applicable documents

- Instructions for devices intended for networking

### 1.4 Symbols used



Components may be damaged by electrostatic discharge. Ground your own body before touching a component!

## 2 Safety

### 2.1 Intended use

With the help of SLAN-DR network adapters, dormakaba control modules intended for networking are networked in one building.

### 2.2 Personnel qualification

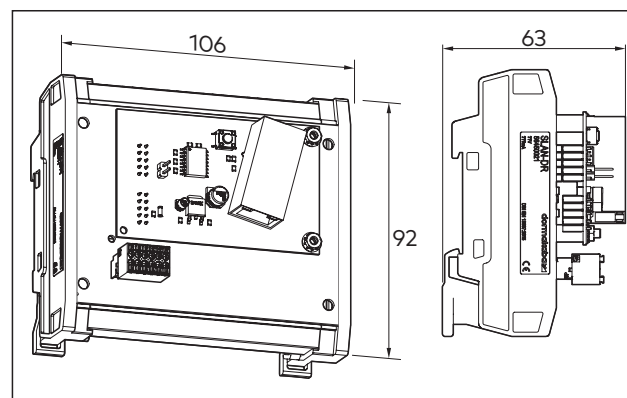
Mounting may only be carried out by persons authorized by dormakaba.

## 3 Product description

The SLAN-DR network adapter enables the integration of dormakaba control modules into LAN networks. The mounting takes place on a 35 mm DIN rail in a housing. The housing must at least meet the requirements of IP 30.

The control, parameterization and visualization for the connected devices is carried out on a PC with TMS Soft®.

### 3.1 Parts included



# SLAN-DR

Mounting instructions

WN 059730 45532 – 2018-11

EN

### 3.2 Technical information


Supply voltage:	24 V DC +/- 15 %
Power consumption:	60 mA
Ambient temperature:	-10 °C to +55 °C
Rel. humidity:	up to 93 % (non condensing)
Protection class:	Dependent on the housing used
Ethernet	10Base-T or 100Base-Tx
Segment length	max. 100 m
Cable recommendation	at least CAT5 cable

### 3.3 LED display

The LED displays light up yellow and green.

LED on  LED off 

#### Link LED

10 MBit/s  yellow

100 MBit/s  green

No connection 

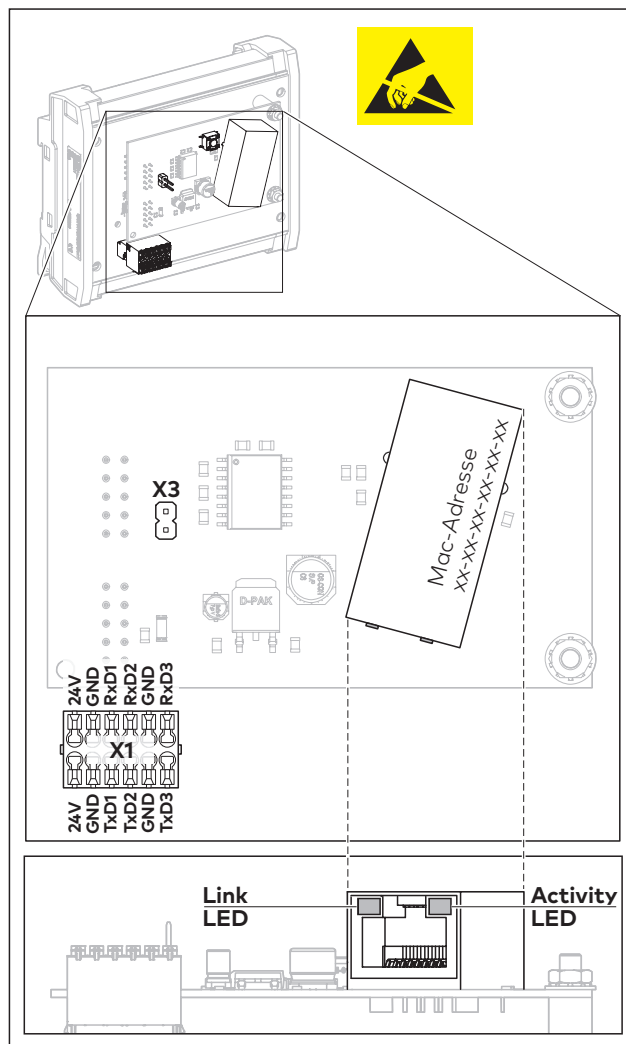
#### Activity LED

Half duplex  yellow

Full duplex  green

No activity 

### 4.2 Assignment of terminals



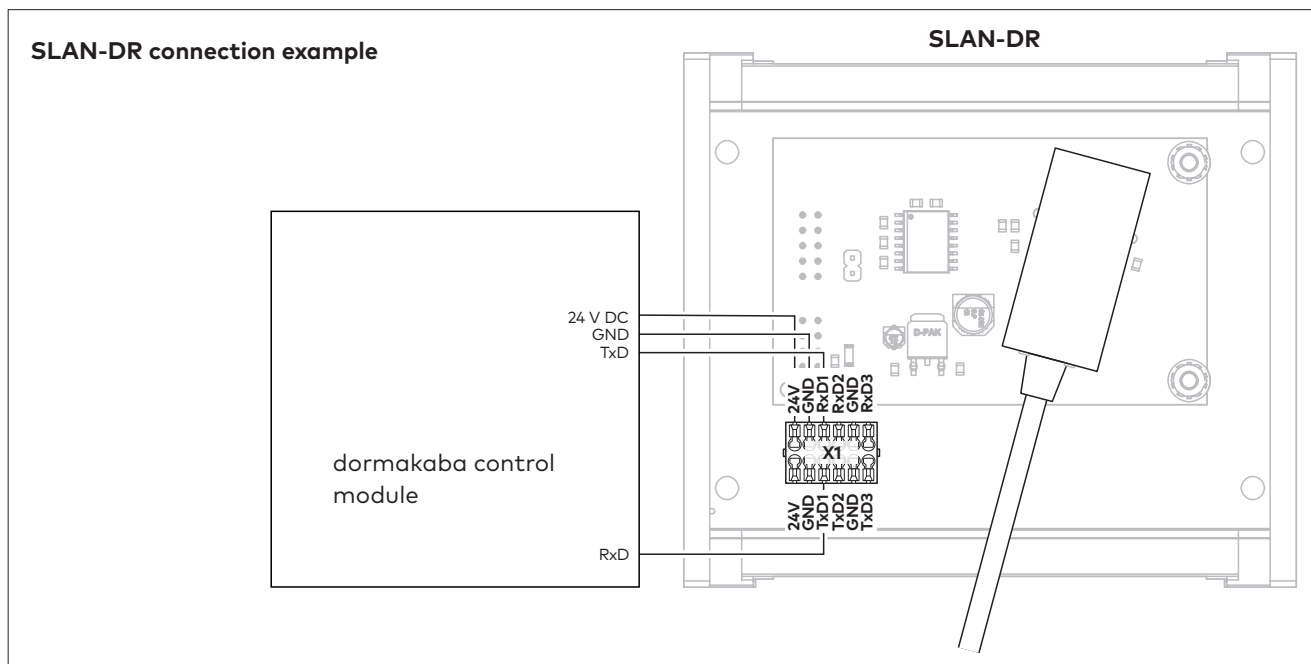
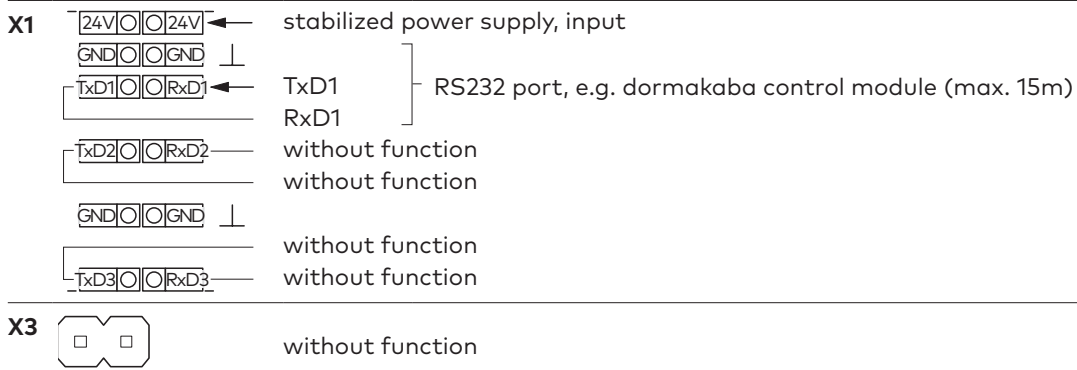
## 4 Mounting

The mounting takes place by clipping onto a 35 mm DIN rail.

### 4.1 Installation requirement

Prerequisite for the mounting is compliance with the LAN specifications regarding transceivers, network topology, network lengths, cable specifications, etc.

- The mounting location of the modules must be selected so that the modules' ambient temperature range is maintained and any heat generated can be dissipated.
- A minimum distance of 200 mm to high-energy sources of interference, e.g. frequency converters, is recommended.
- To avoid condensation, modules that have been stored at very different temperatures must be adjusted to the operating temperature before commissioning.



## 5 Disassembly and disposal

Disassembly is carried out in the reverse order of mounting and must be carried out by qualified personnel.



The product must be disposed of in an environmentally friendly manner. Electro-technical parts and batteries must not be disposed of as domestic waste. Dispose of electrotechnical parts and batteries in the designated acceptance and collection points. Refer to the statutory regulations for your country.

Translation of the original document, subject to change without notice