

# 1 About this manual

## 1.1 Target group

The connection adapter STV-A must only be mounted by trained electricians with specific knowledge of electromechanical locks, fire safety codes and regulations.

## 1.2 Intended use

The STV-A exclusively serves to integrate door locks into the SafeRoute® system.

## 1.3 Other applicable documents:

- System instructions for the used SafeRoute® license
- Operating instructions for the SafeRoute® system
- Mounting instructions and assignment of terminals for the door lock used
- Inspection log

## 1.4 Symbols used



### ATTENTION

This signal word indicates a situation of potential risk, which could lead to damage to property or the environment if not averted.

## 1.5 Further labeling

1.

2.

Sequence of action steps



Reference to a chapter



Components may be damaged by electrostatic discharges

# 2 Safety



### ATTENTION

#### Risk of property damages from electrostatic discharge.

The control board may be damaged by an electrostatic discharge!

- Ground your own body before touching a component!

# 3 Product description

The STV-A is an adapter for connecting electro-mechanical or electro-magnetic locks for swing doors. The STV-A integrates door locks that do not have a DCW® bus connection into the SafeRoute® system. Only door locks complying with the "Directive on electrical locking systems of doors in escape routes" (EltVTR) and/or DIN EN 13637, as well as other applicable regulations, may be used in the SafeRoute® system.

# STV-A

Mounting instructions

WN 059505 45532

2019-09

EN

### 3.1 LED displays

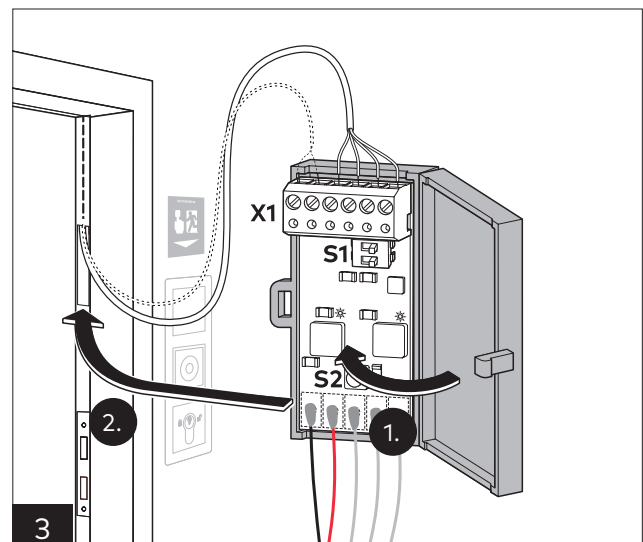
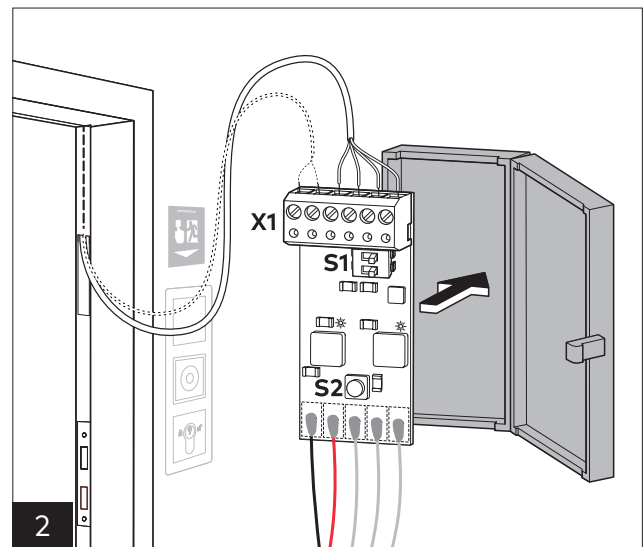
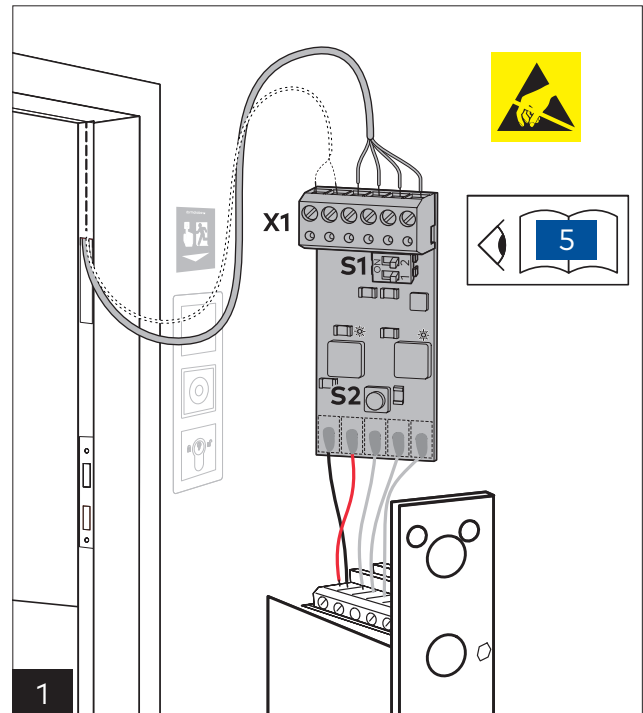
LED On — LED Off — LED flashes - - -

<b>DCW® LED (red)</b>	
Bus connection OK	—————
Bus connection interrupted	_____
DCW® error (see SafeRoute® system instructions)	- - - - -
<b>Config LED (yellow)</b>	
Configuration successful	—————
Device not configured	_____
<b>Both LEDs</b>	
Configuration mode active	- - - - -

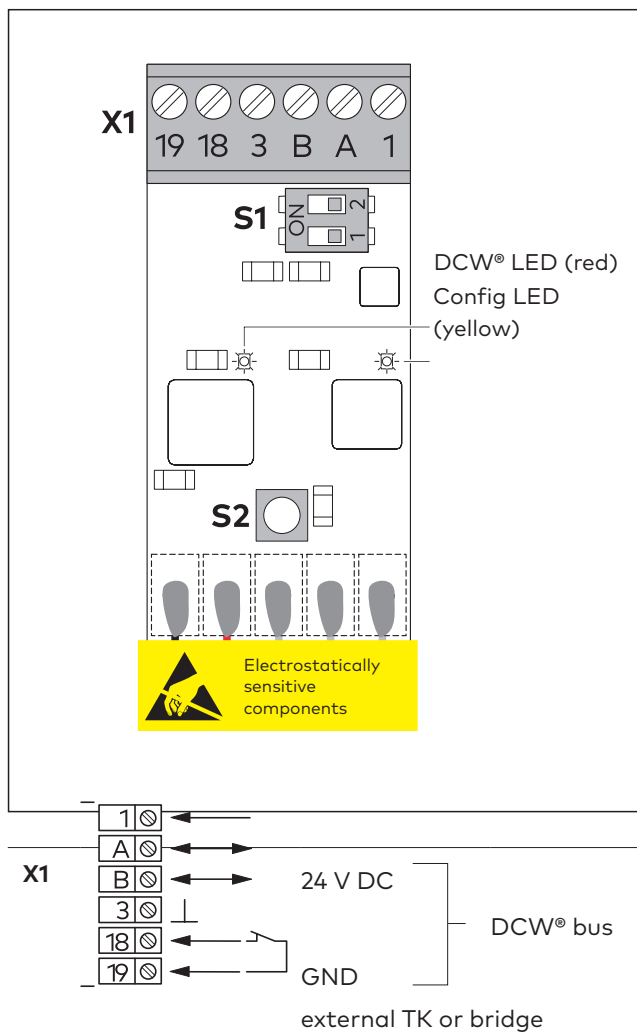
### 3.2 Technical data

Supply voltage:	24 V DC +/- 15 %	
Power consumption:		
STV-A with TV 50x or TV 50x NF	locked:	80 mA
STV-A with TV 550	locked:	115 mA
STV-A with EM 3000-GL AH or EM 5300-GL AH	locked:	260 mA
all combinations	unlocked:	20 mA
Holding force:		
EM5300-GL AH	4500 N	
all others	2000 N	
Temperature range:	-10°C to +55°C	
Rel. humidity:	up to 93% (non condensing)	
Protection class:	IP 30	
Dimensions:	31 mm x 63 mm x 17 mm	

## 4 Mounting



# 5 Assignment of terminals and switches



**S1** DIP switch for setting the component addresses.  
Each door lock requires a dedicated address (1 to 4).

DCW® address	Switch S1	
1	0	0
2	1	0
3	0	1
4	1	1

**S2** Press the service button for 8 seconds.  
= Default setting

## Cable bundle for door lock

Cable color	use for function
<b>BK</b> black	GND switched for locking magnet
<b>RD</b> red	+24VDC switched voltage for the locking magnet
<b>BU</b> blue	Latch contact
<b>BN</b> brown	Anchor contact
<b>YE</b> Yellow	Auxiliary voltage

# 6 Wiring diagrams

Image	Page	Combination
<b>4A</b>	4	STV-A with EM 3000-GL AH
<b>4B</b>	5	STV-A with EM 5300-GL AH
<b>5A</b>	6	STV-A with TV 50x
<b>5B</b>	7	STV-A with TV 50x NF
<b>5C</b>	8	STV-A with TV 550

# 7 Disassembly and disposal

Disassembly is carried out in reverse order of the mounting instructions.



The product must not be disposed of in domestic waste.

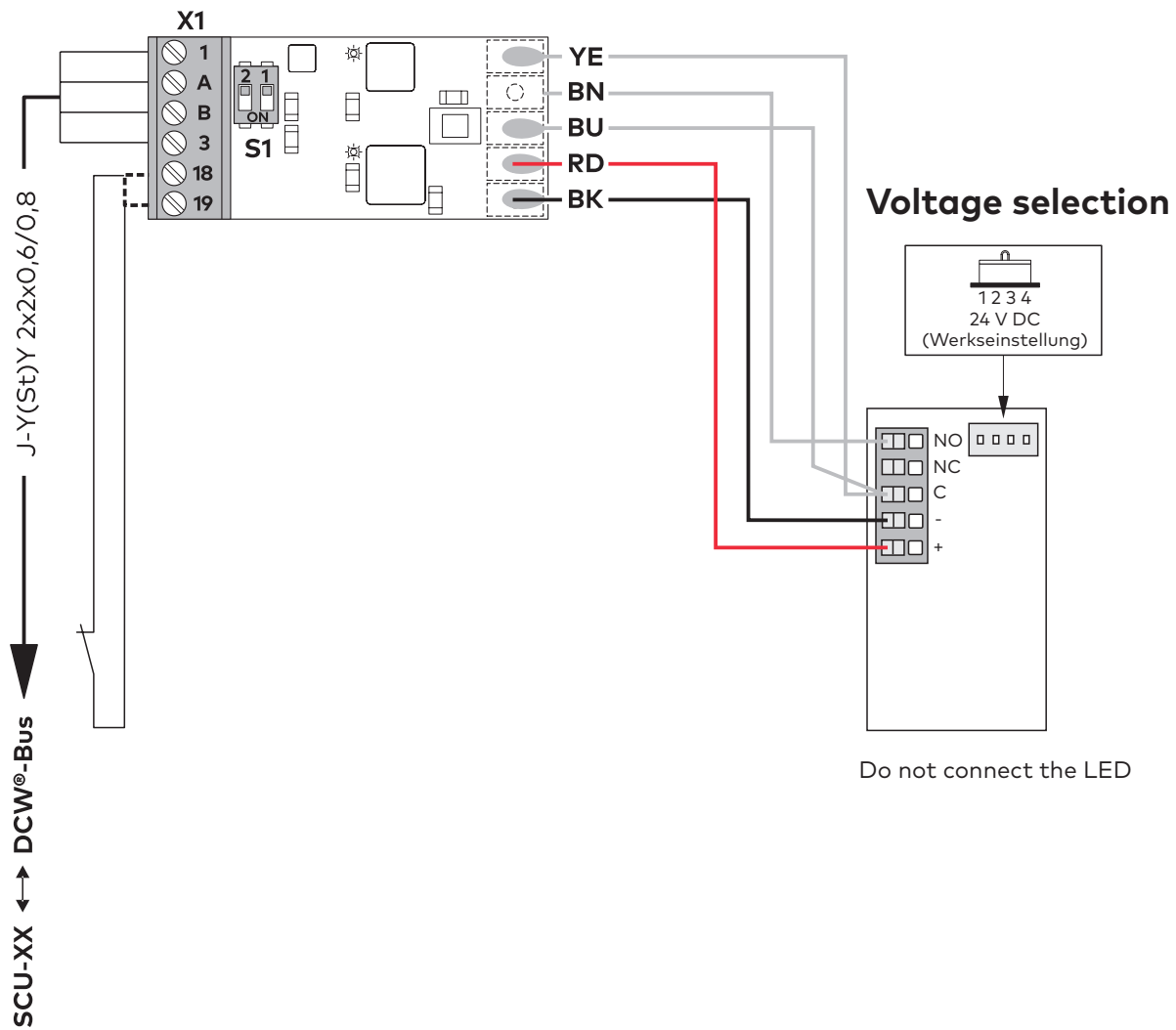
Dispose of the product in an environmentally friendly manner at the arranged acceptance and collection points.

Refer to the statutory regulations for your country.

# STV-A + EM 3000-GL AH



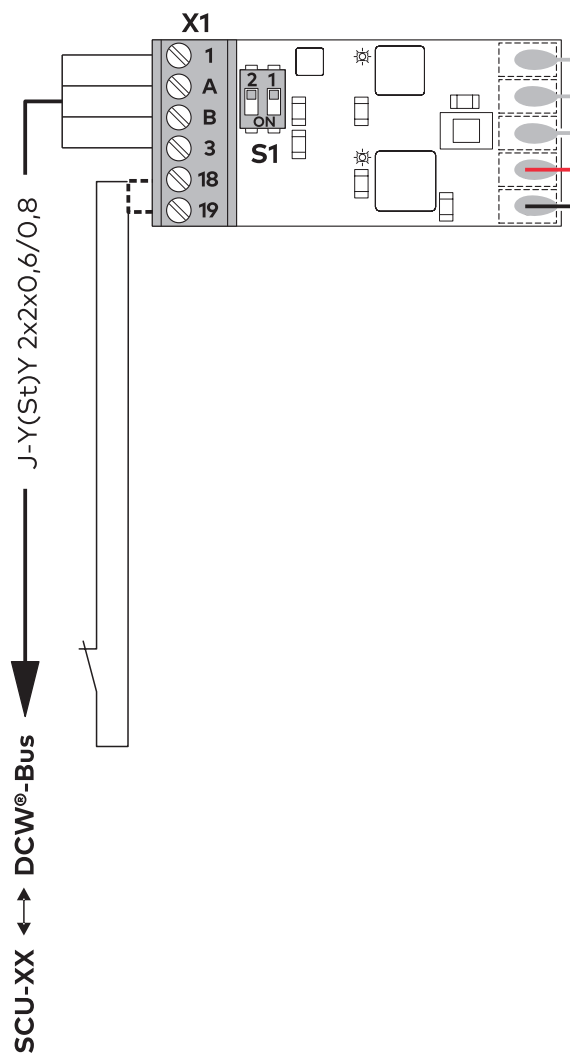
## Wiring



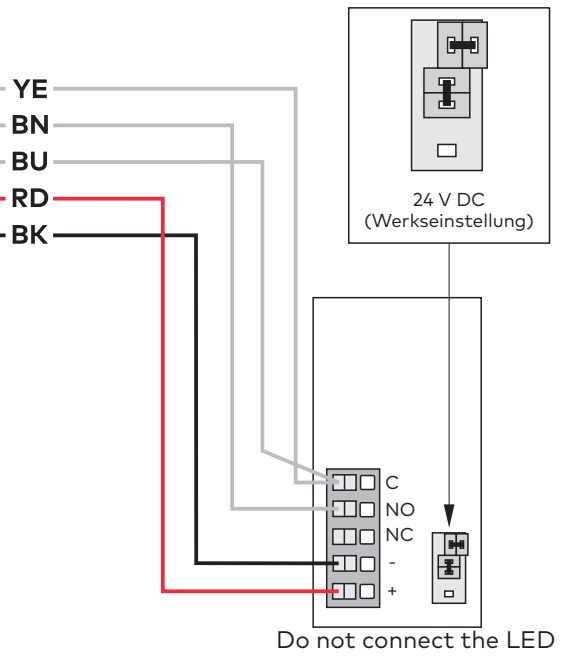
# STV-A + EM 5300-GL AH



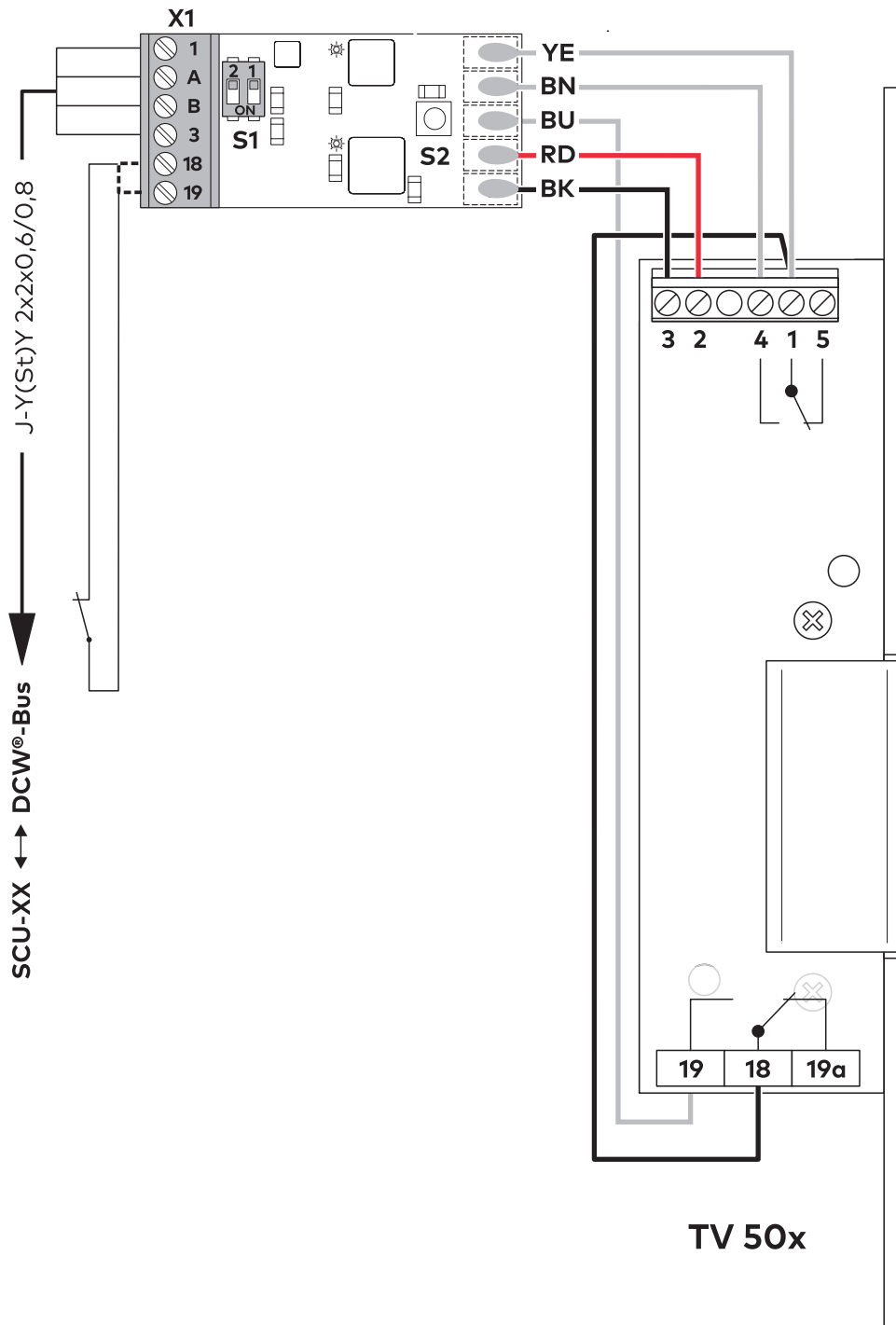
## Wiring



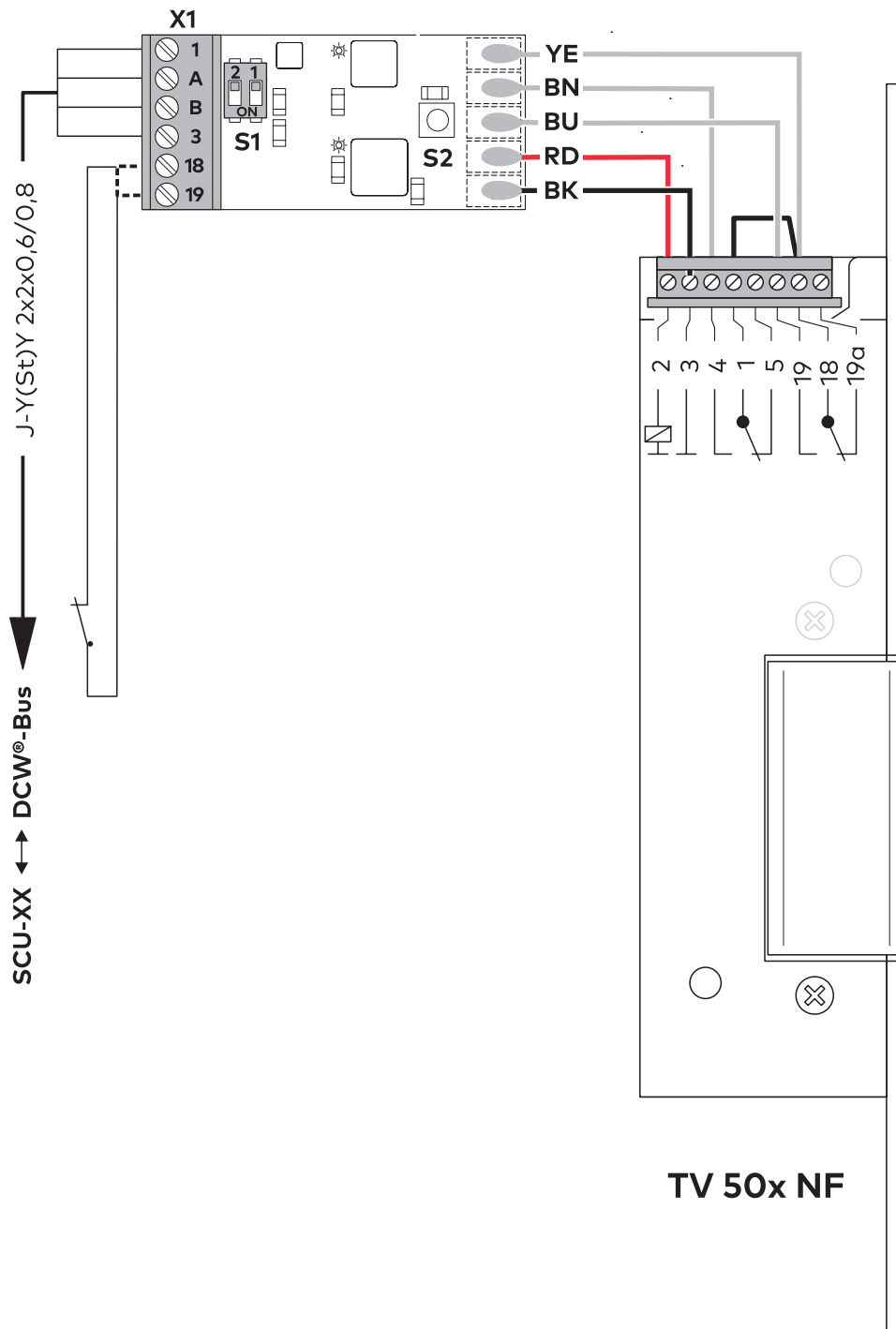
## Voltage selection



### STV-A + TV 50x



### STV-A + TV 50x NF



# STV-A + TV 550

